



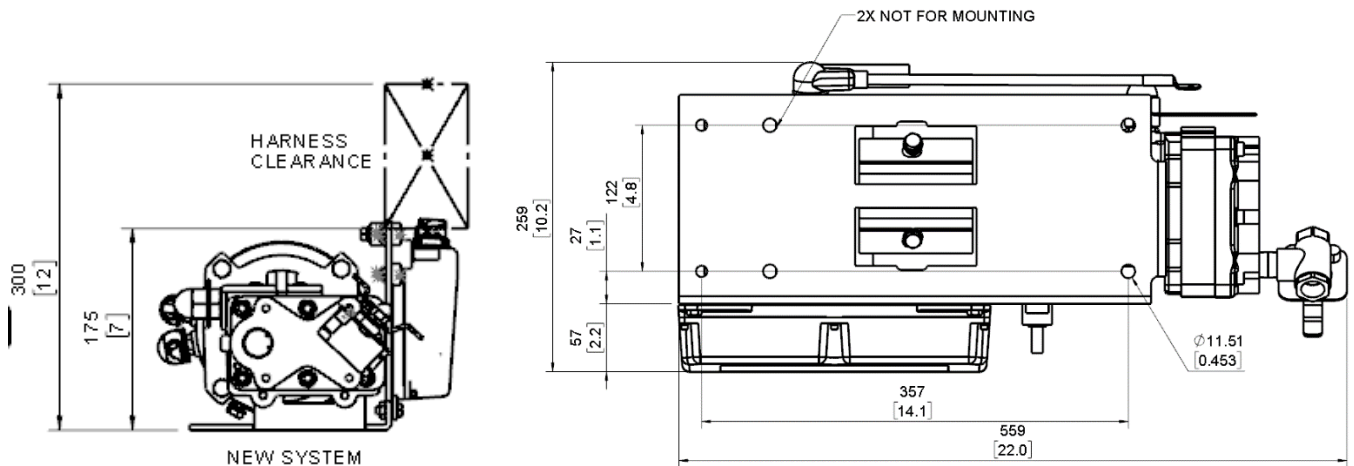
# Foam Bracket Installation Change SB-147

October 19, 2017

To: All Value Hale/Class 1 Foam Customers

Subject: Change to 3.3, 5.0, and 6.5 Foam Pump Installation

Foam systems 3.3, 5.0, and 6.5 have been updated with the new motor driver bracket effective immediately:



The motor driver is now mounted on the other side so you can access the bypass and check the operation of the motor driver easily. It has also made checking the power and ground to the motor easier. Installation may need to be shifted 3" to prevent interference. It should also be noted that some room (3-4 inches) should be left above the foam pump for the harness and the fan on the back of the motor should have an additional 3-4 inches of clearance (minimum of 1-2 inches) for adequate air flow to cool the motor.

Please Contact Hale Customer Service at 1-800-533-3569 or [haletechnicalservice@idexcorp.com](mailto:haletechnicalservice@idexcorp.com) if you have any questions or need assistance.