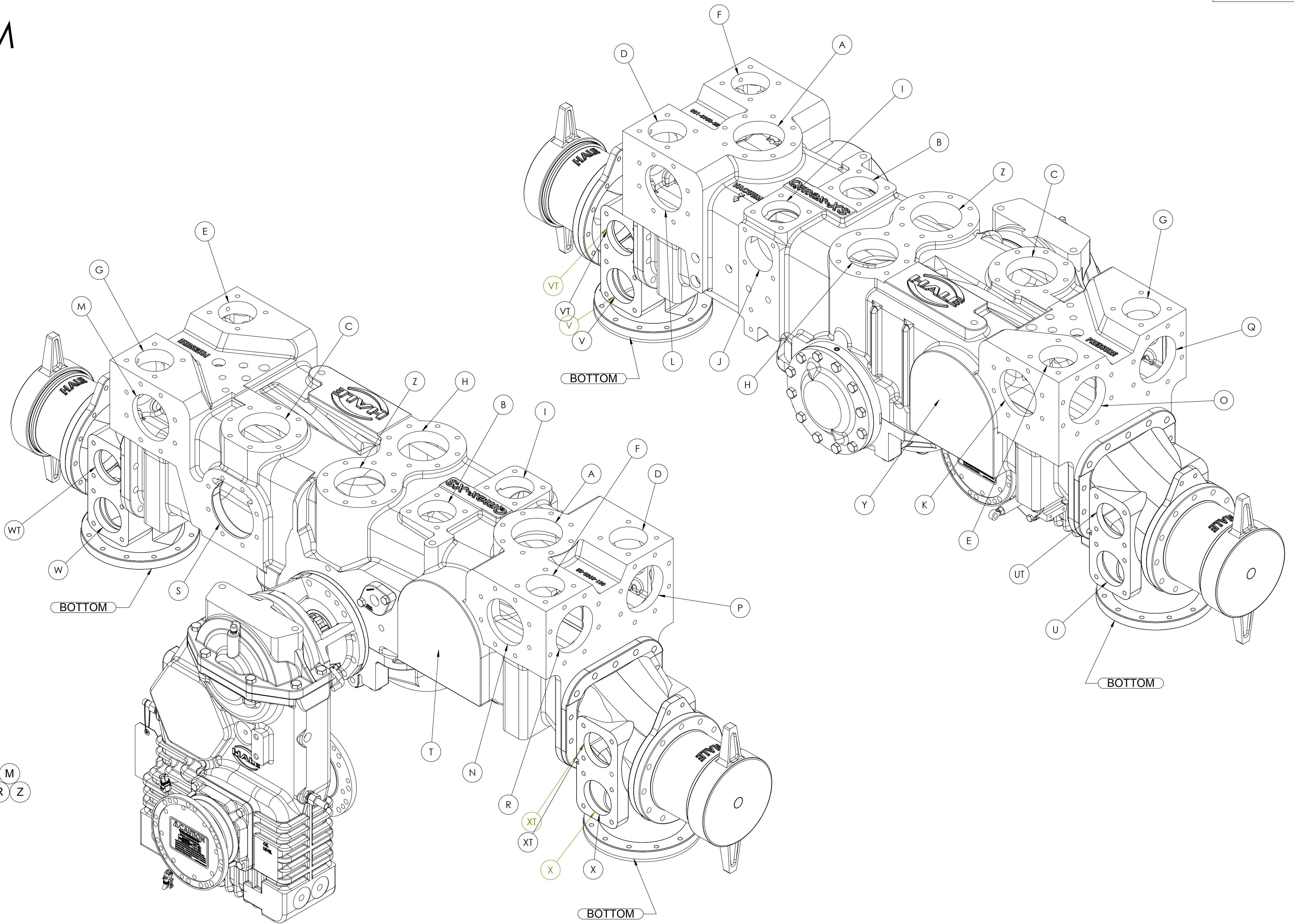


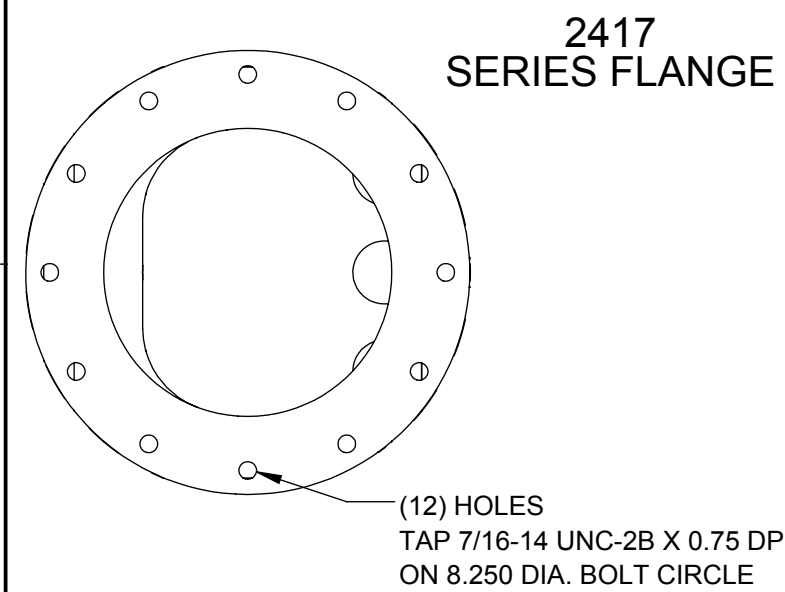
IF IN DOUBT ASK

PROJECTION: 

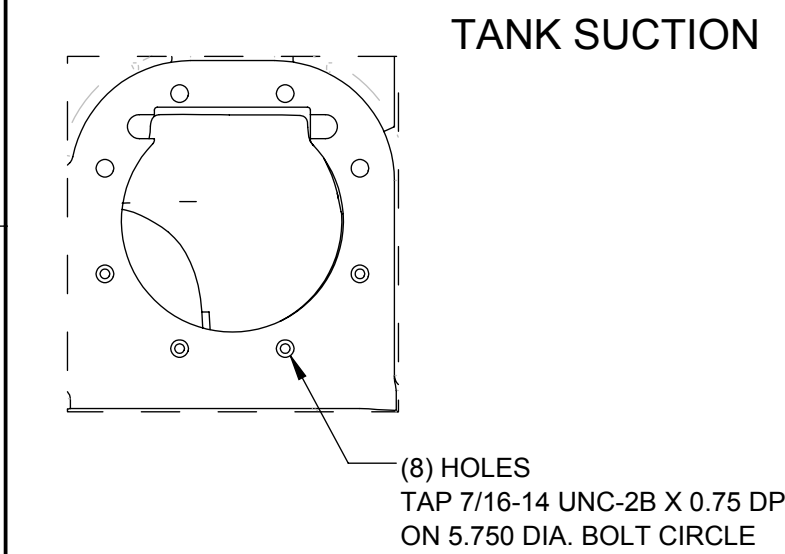
PORT DIAGRAM



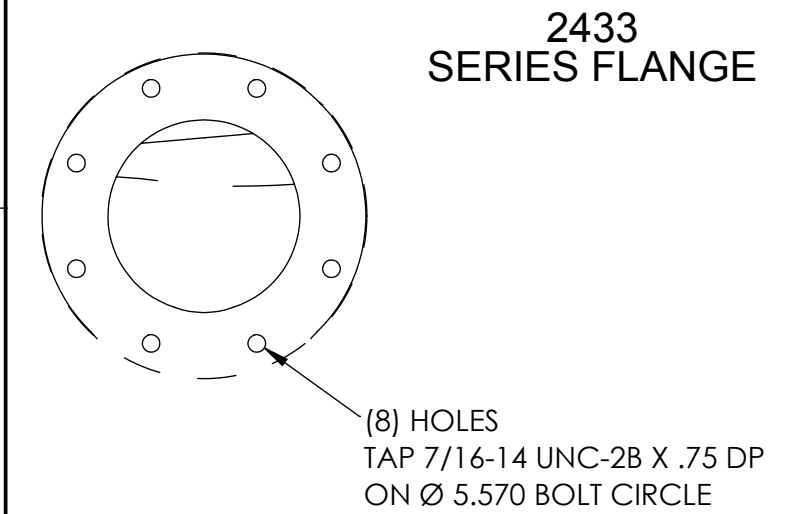
PORT BOLT PATTERN DIAGRAMS



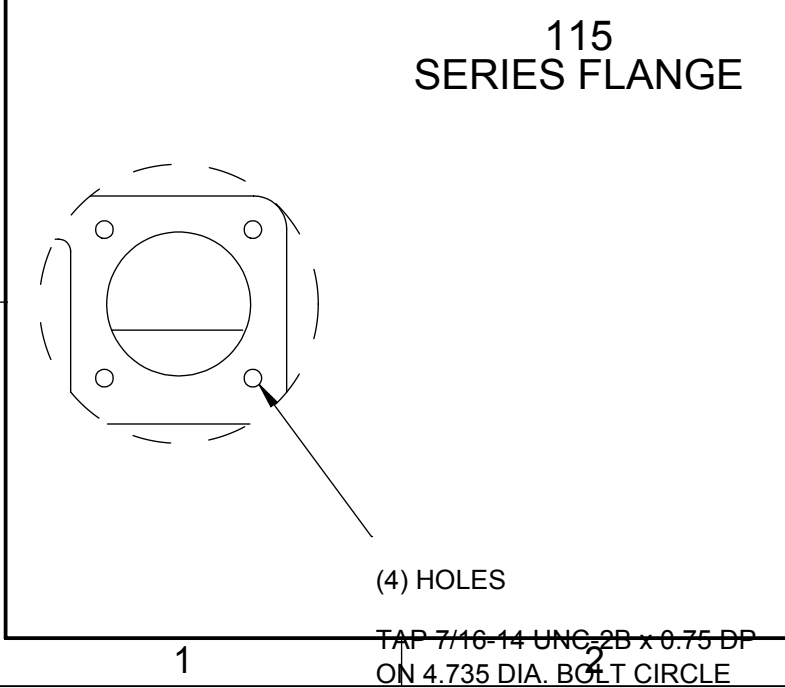
BOTTOM
T Y



S T



A C H K L M
N O P Q R Z



B D E F G I J U
V T V T W W T X X T

LEFT SIDE SUCTION
EXTENSION: _____
MIV: _____
TUBE: _____
CAP: _____

RIGHT SIDE SUCTION
EXTENSION: _____
MIV: _____
TUBE: _____
CAP: _____

UNLESS OTHERWISE SPECIFIED
DIMENSIONS ARE IN INCHES
TOLERANCE FOR INCHES DIMENSIONS:
X: ±0.04
X.X: ±0.02
X.XX: ±0.01
X.XXX: ±0.005
ANGLES: ±0.25°
SURFACE TEXTURE IN µm Ra
REMOVE ALL BURRS AND SHARP
EDGES, 0.01MAX

FSG OF
IDEX
IDEX CORPORATION



QMAX-XS-PUMP ASSEMBLY

MATERIAL	TITLE	SIZE	DRAWING NUMBER	REV
MADE FROM	QMAXXS Port Diagram	D	QMAXXS Port Diagram	SHEET 1 OF 1
FINISH		SCALE		
PROJECT	DATE	1:4		

COPYRIGHT ©
NOT TO BE REPRODUCED OR USED TO
MAKE OTHER DRAWINGS OR MACHINERY