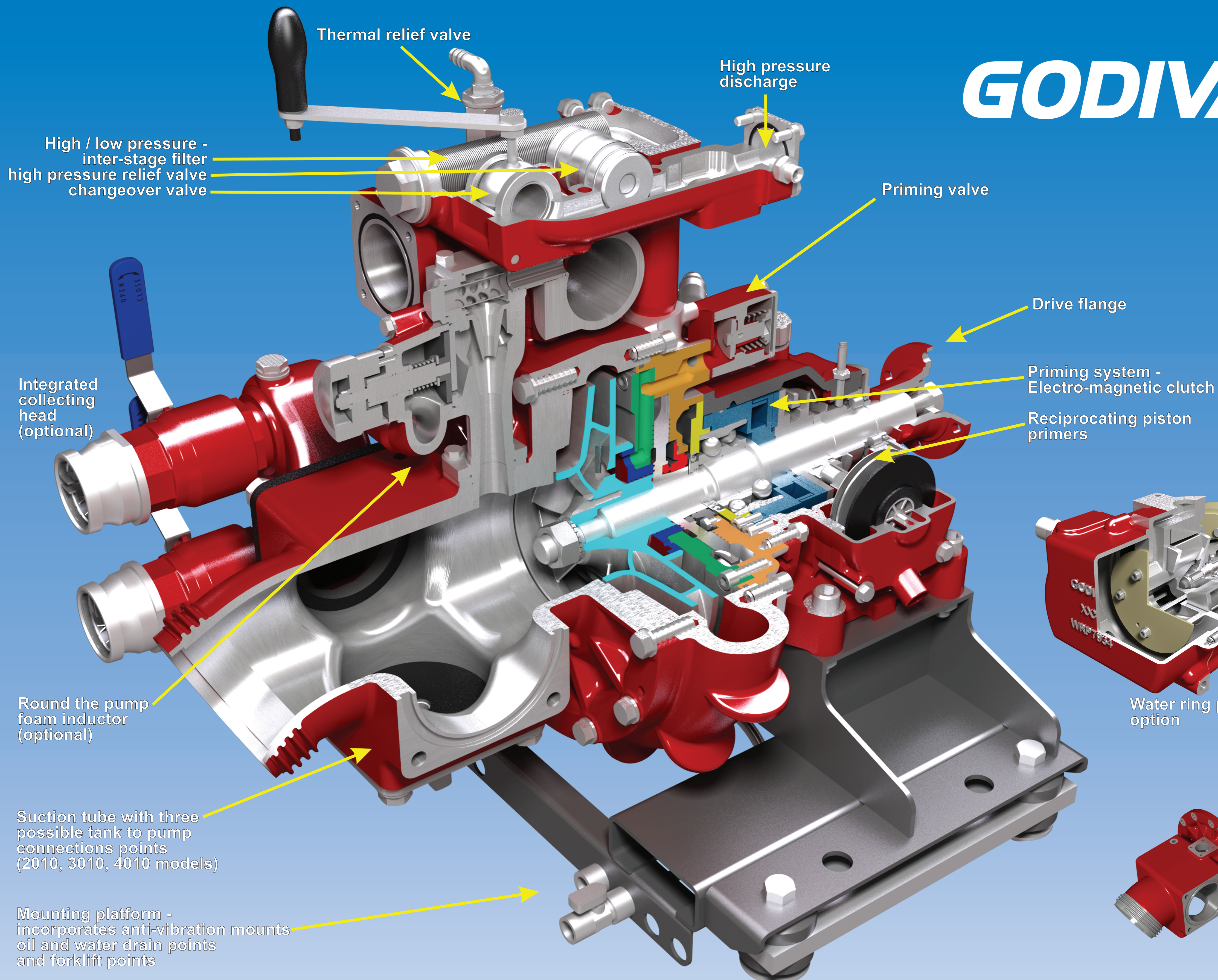
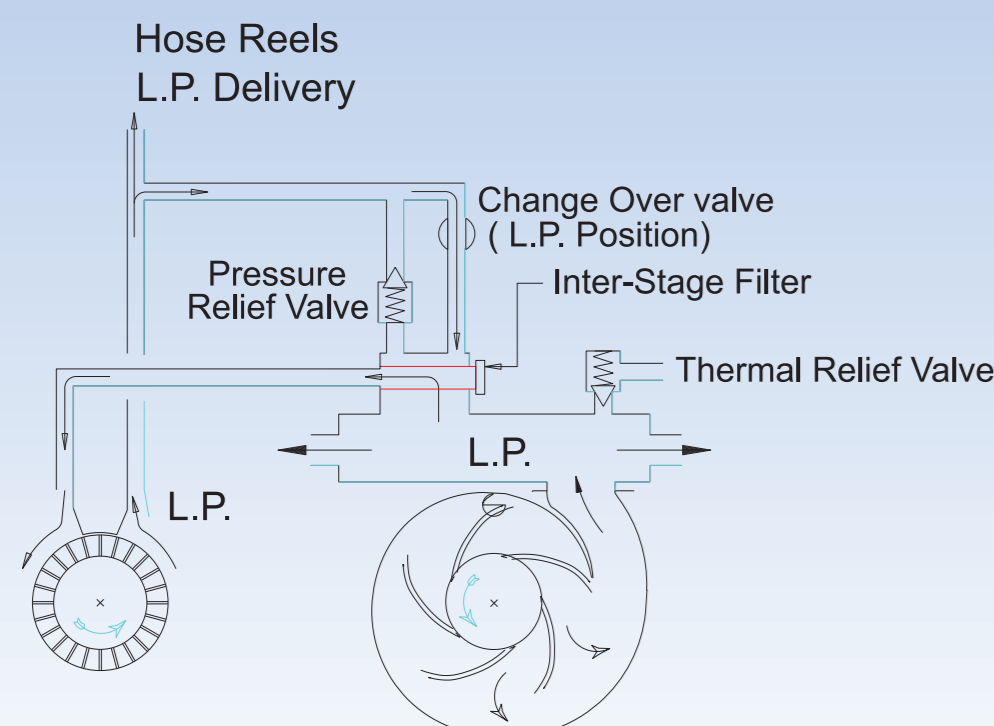
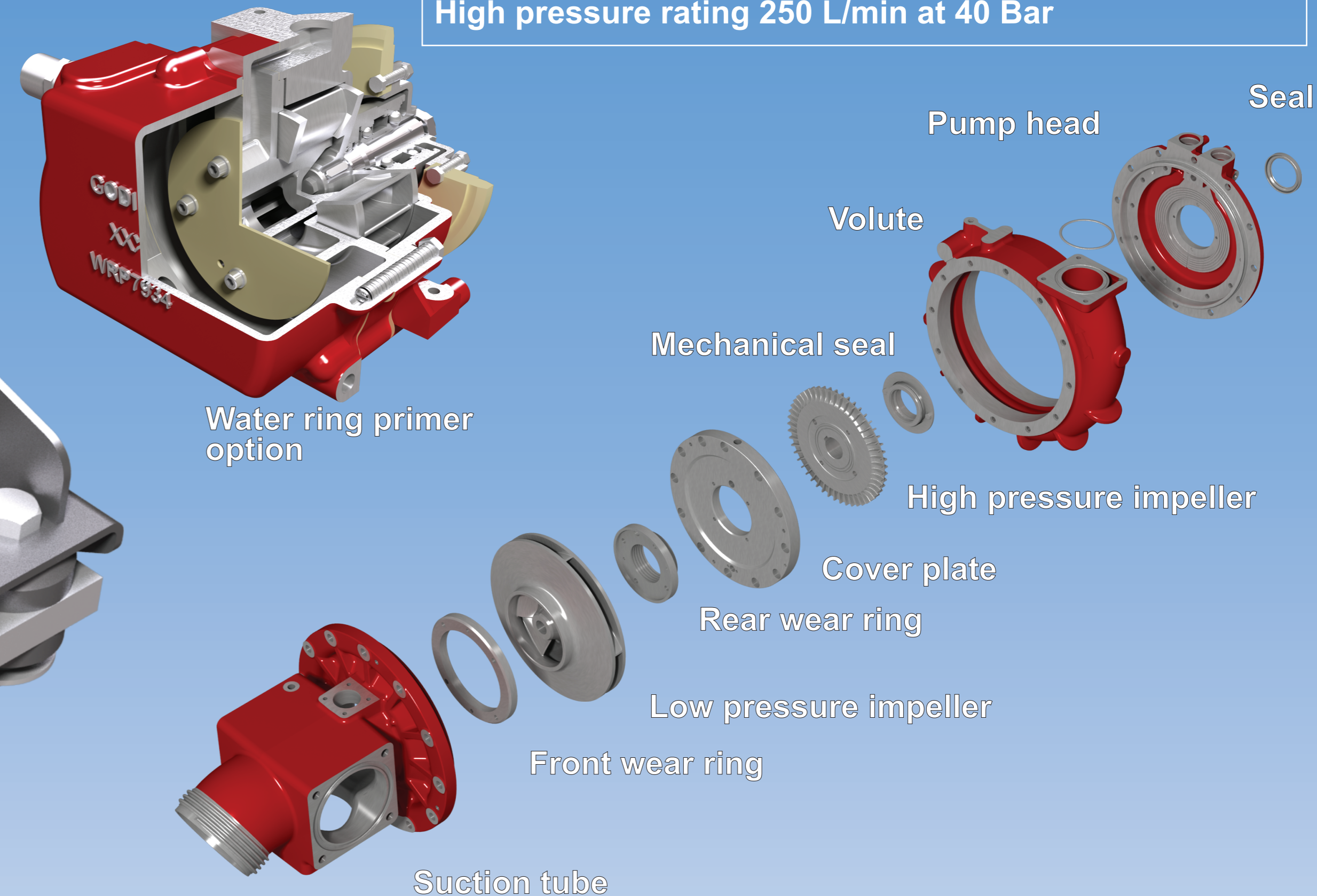


GODIVA PRIMA

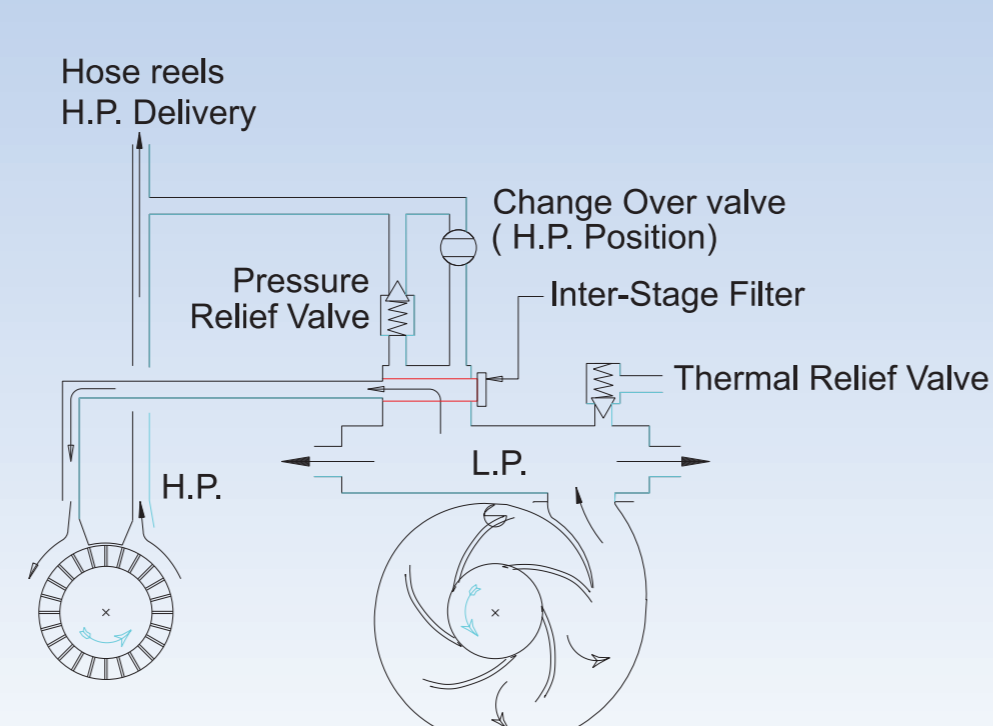
Multi-pressure vehicle mounted pump



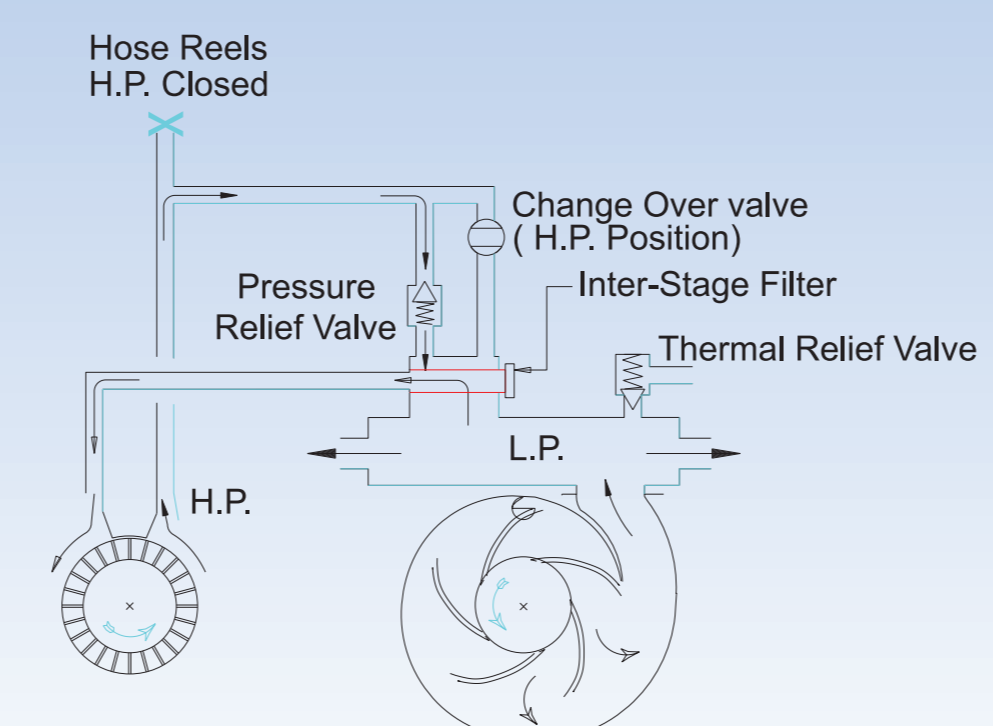
| EN1028:1 Rated performance | | | | |
|--|---------|---------|---------|---------|
| Model | P2_2010 | P2_3010 | P2_4010 | P2_6010 |
| Flow rate L/min | 2000 | 3000 | 4000 | 6000 |
| Pressure - Bar | 10 | 10 | 10 | 10 |
| At 3m suction lift | | | | |
| High pressure rating 250 L/min at 40 Bar | | | | |



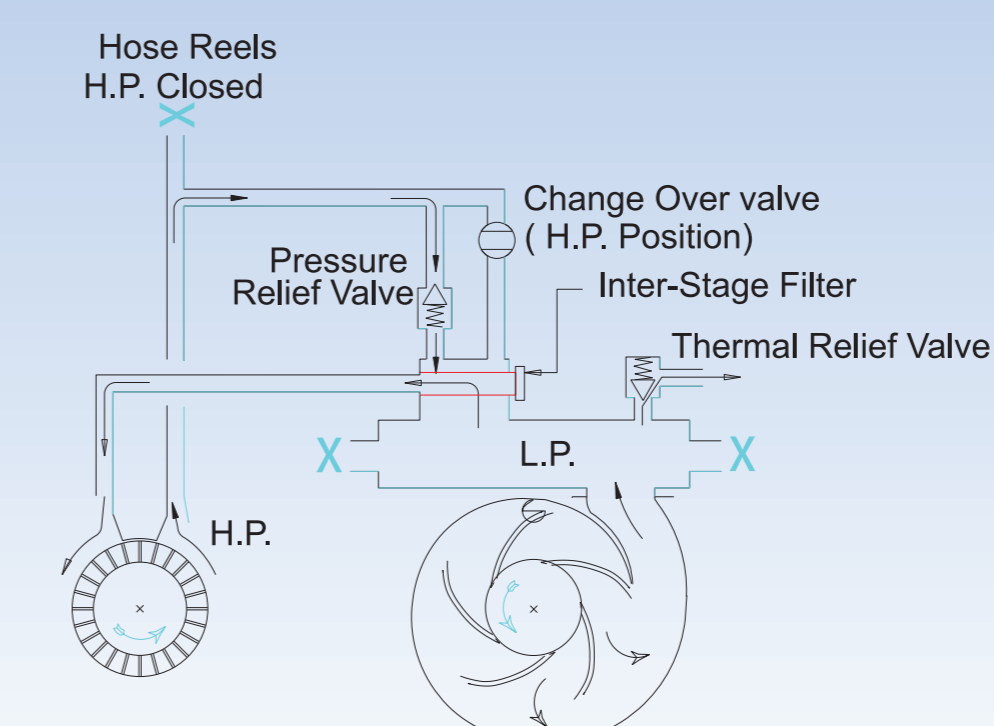
LOW PRESSURE MODE - CHANGE-OVER VALVE OPEN



LOW &/OR HIGH PRESSURE MODE - CHANGE-OVER VALVE CLOSED



LOW &/OR HIGH PRESSURE MODE - CHANGE OVER VALVE CLOSED (OVERPRESSURE- HIGH PRESSURE OUTLET RESTRICTED)



NO DISCHARGE L.P. OR H.P. - OVERHEAT PROTECTION

GODIVA LTD
 Charles Street
 Warwick
 CV34 5LR UK
 Tel: +44 (0)1926 623600
 Fax: +44 (0)1926 623666
 godiva@idexcorp.com
 www.godiva.co.uk

