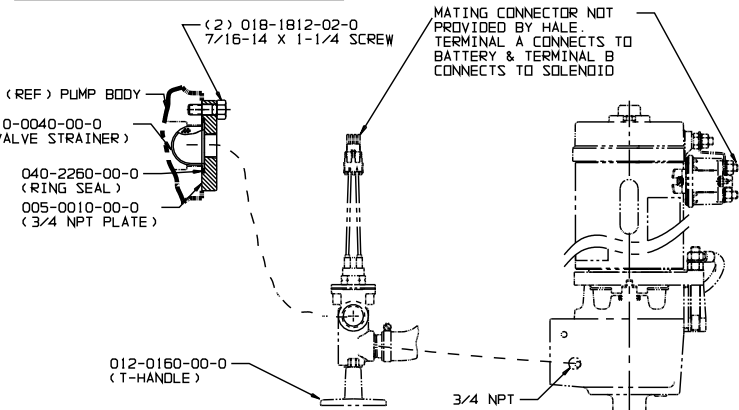


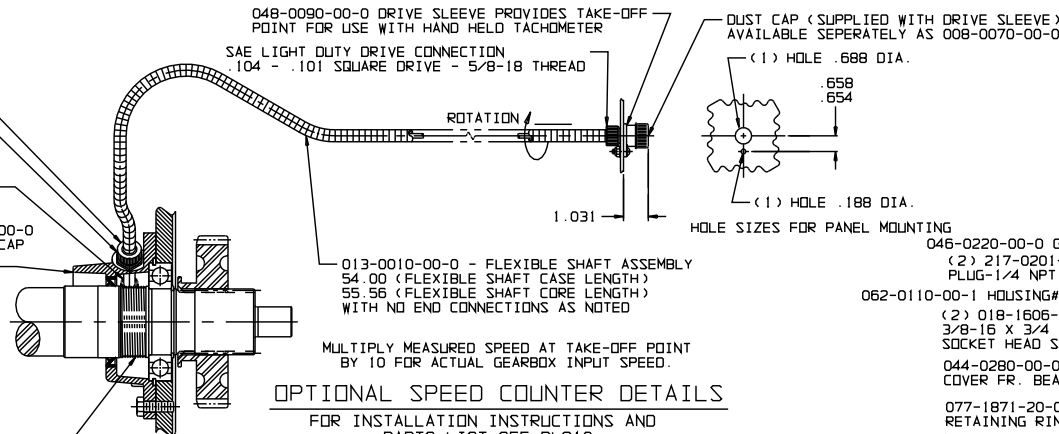
SERIAL NUMBER LOCATION



PVG PRIMING VALVE
SEE PLATE NO. 480 FOR INSTALLATION DETAILS

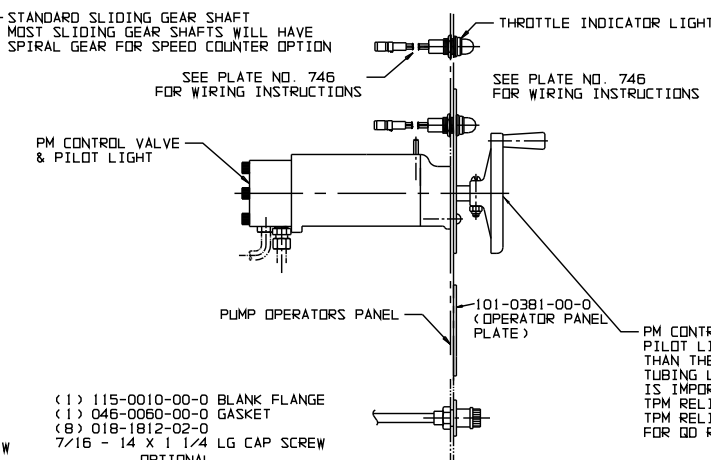
ESP PRIMING VALVE
SEE PLATE NO. 821 FOR INSTALLATION DETAILS

SAE REGULAR DRIVE CONNECTION
.205 - 210 ROUND DRIVE 7/8 - 18 THREAD
007-0040-00-0 - SPEED COUNTER DRIVE ADAPTER
REPLACED WITH PLUG 217-3007-00-0 (NOT SHOWN)
WHEN SPEED COUNTER OPTION IS NOT ORDERED
031-0170-00-0 SPEED COUNTER GEAR
NOT SHOWN
SPEED COUNTER DRIVEN GEAR BUSHING - 048-0070-00-0
SUPPORTS END OF DRIVEN GEAR IN FRONT BEARING CAP
STANDARD FRONT BEARING CAP



OPTIONAL SPEED COUNTER DETAILS

FOR INSTALLATION INSTRUCTIONS AND PARTS LIST SEE PL910



- (4) 115-0050-00-0 FRONT FLANGE
- (4) 115-0050-00-0 REAR FLANGE
- (8) 142-0390-00-0 SEAL RING
- (16) 018-1812-02-0 FRONT 7/16-14 X 1-1/4 LG SCREW
- (16) 018-1812-02-0 REAR 7/16-14 X 1-1/4 LG SCREW

- (1) 115-0010-00-0 BLANK FLANGE
- (1) 046-0060-00-0 GASKET
- (8) 018-1812-02-0 7/16 - 14 X 1 1/4 LG CAP SCREW
- OPTIONAL**
- 115-0030-00-0 3NPT FLANGE
- 115-0040-00-0 4NPT FLANGE
- 3 INCH OR 4 INCH SYS VALVE AND/OR CHECK VALVE

- (2) 115-0010-00-0 FLANGE
- (2) 046-0060-00-0 GASKET
- (16) 018-1812-02-0 7/16-14 X 1-1/4 LG SCREW

- 115-0050-00-0 FLANGE, BLANK
- 142-0390-00-0 115 GASKET
- (4) 018-1812-02-0 7/16-14 X 1-1/4 LG SCREW

- (5) 018-2012-02-0 1/2-13 X 1-1/4 LG SCREW

- (9) 018-2012-02-0 1/2-13 X 1-1/4 LG SCREW

- (2) 217-0201-00-0 1/4 NPT PLUG

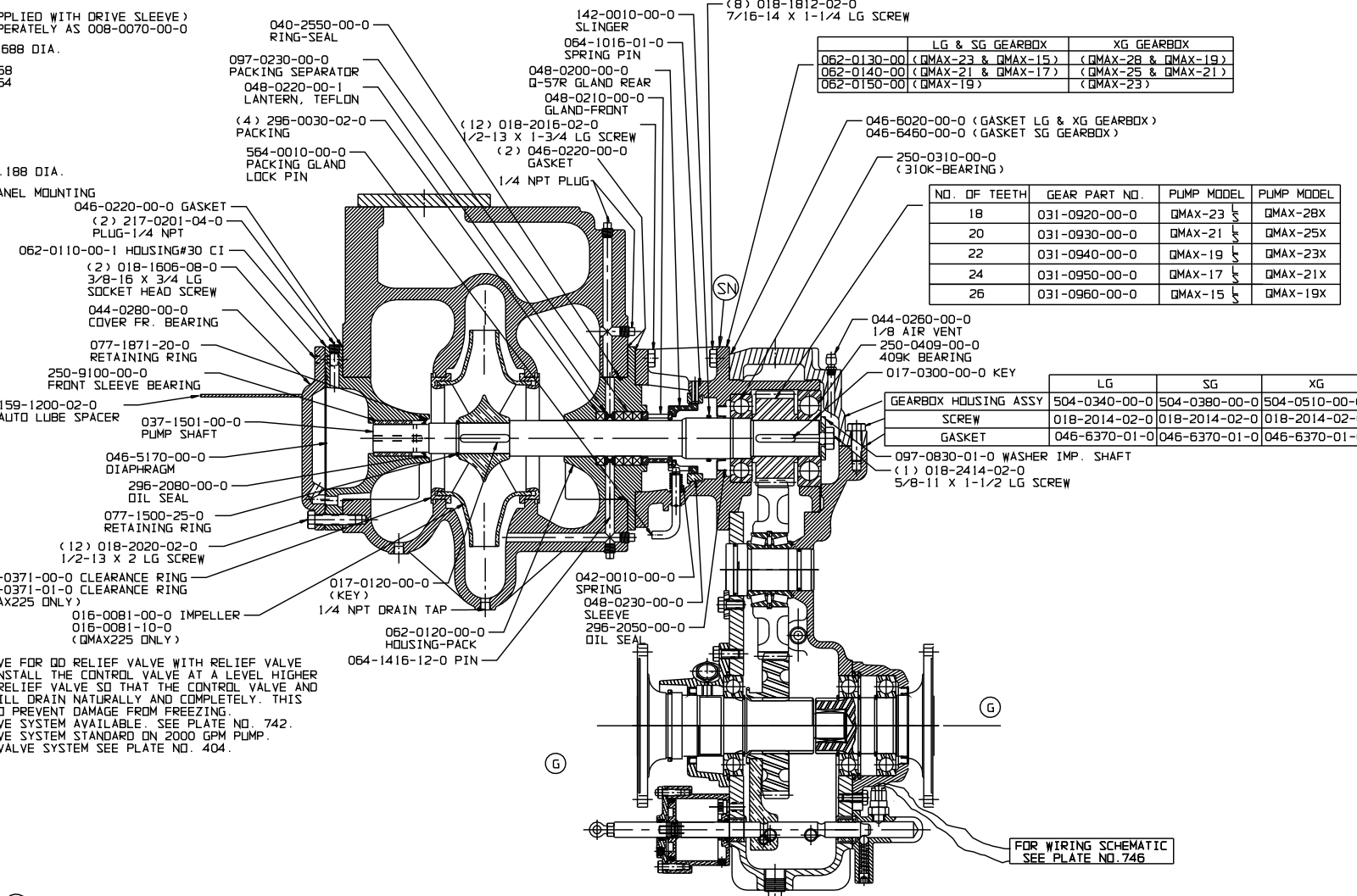
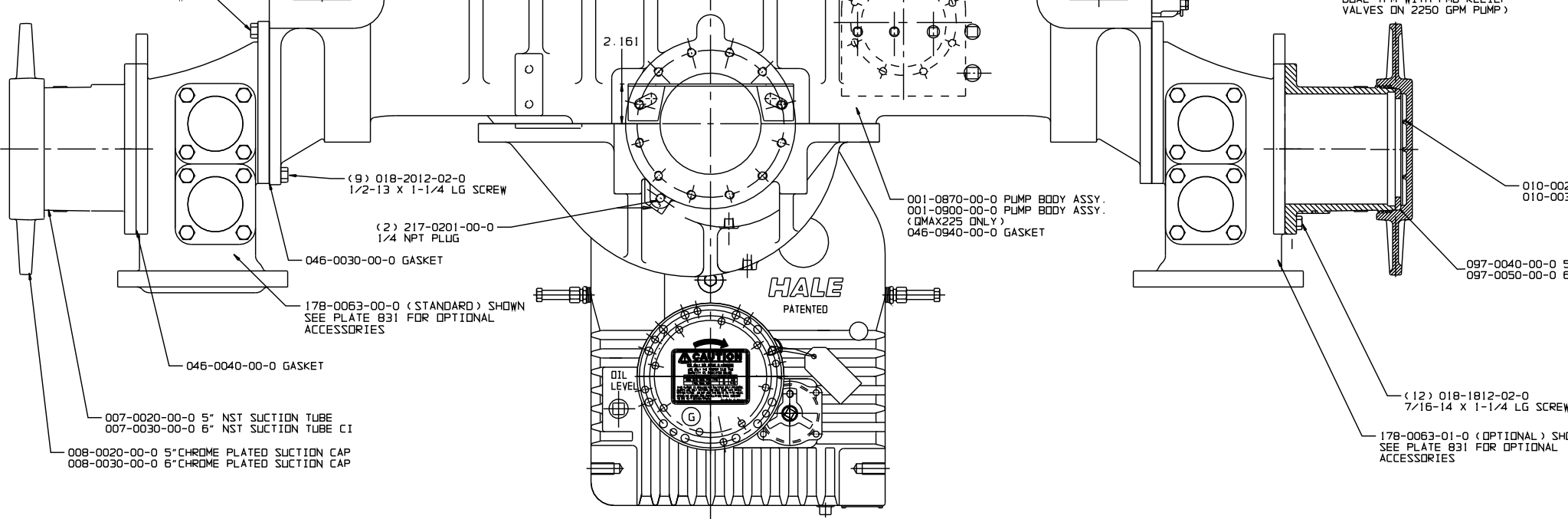
- 046-0030-00-0 GASKET

178-0063-00-0 (STANDARD) SHOWN
SEE PLATE 831 FOR OPTIONAL ACCESSORIES

- 046-0040-00-0 GASKET

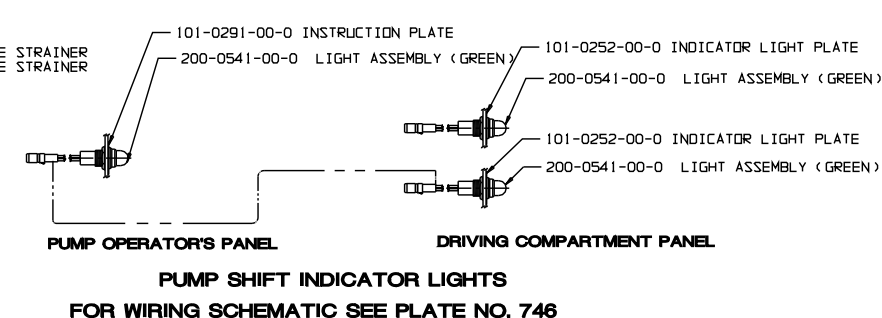
- 007-0020-00-0 5" NST SUCTION TUBE
- 007-0030-00-0 6" NST SUCTION TUBE CI

- 008-0020-00-0 5" CHROME PLATED SUCTION CAP
- 008-0030-00-0 6" CHROME PLATED SUCTION CAP



SEE PLATE NO. 914 FOR "G" SERIES GEARBOX

- NOTES:
- SEE LIMIT CHART, HALE DOCUMENT F-72 FOR MAXIMUM ALLOWABLE PUMP PRESSURE, ENGINE HORSEPOWER AND TORQUE LIMITS FOR HALE CENTRIFUGAL PUMPS.
 - APPLY LOCTITE # 246 HIGH TEMPERATURE THREAD LOCKER OR EQUIVALENT TO SCREW THREADS AND TORQUE SCREWS PER HALE ENGINEERING STANDARD ES018-002
 - UNLESS OTHERWISE INDICATED FASTENERS ARE GRADE 5 ZINC PLATED STEEL



HALE QMAX SERIES PUMP WITH "G" SERIES GEARBOX

ECD NO	REV	CHANGED FROM	BY	DATE	APVD	ECD NO	REV	CHANGED FROM	BY	DATE	APVD
00-665	E	UPDATED DRAWING	TKC	10-31-00	MAL	98-49	A	RELEASE FOR PRODUCTION	MD	4-1-98	RET
0303	F	UPDATE DRAWING TO MATCH CURRENT PRODUCTION	DBH	01-25-06	MAL	99-121	B	UPDATE DRAWING	DPL	6-15-99	RET
1110	G	REMOVED SPLINED OPTIONS	CTG	02-17-12	JRP	00-445	C	UPDATED DRAWING	DJK	4-10-00	MAL
						00-458	D	UPDATED DRAWING	DJK	5-18-00	MAL

HALE PRODUCTS, INC.
A Unit of IDEX Corporation
Conshohocken, PA 19428 USA

COPYRIGHT © NOT TO BE REPRODUCED OR USED TO MAKE OTHER DRAWINGS OR MACHINERY. DRAWN MD CHECKED RET DATE 2-13-98 SIZE D SCALE: .25