

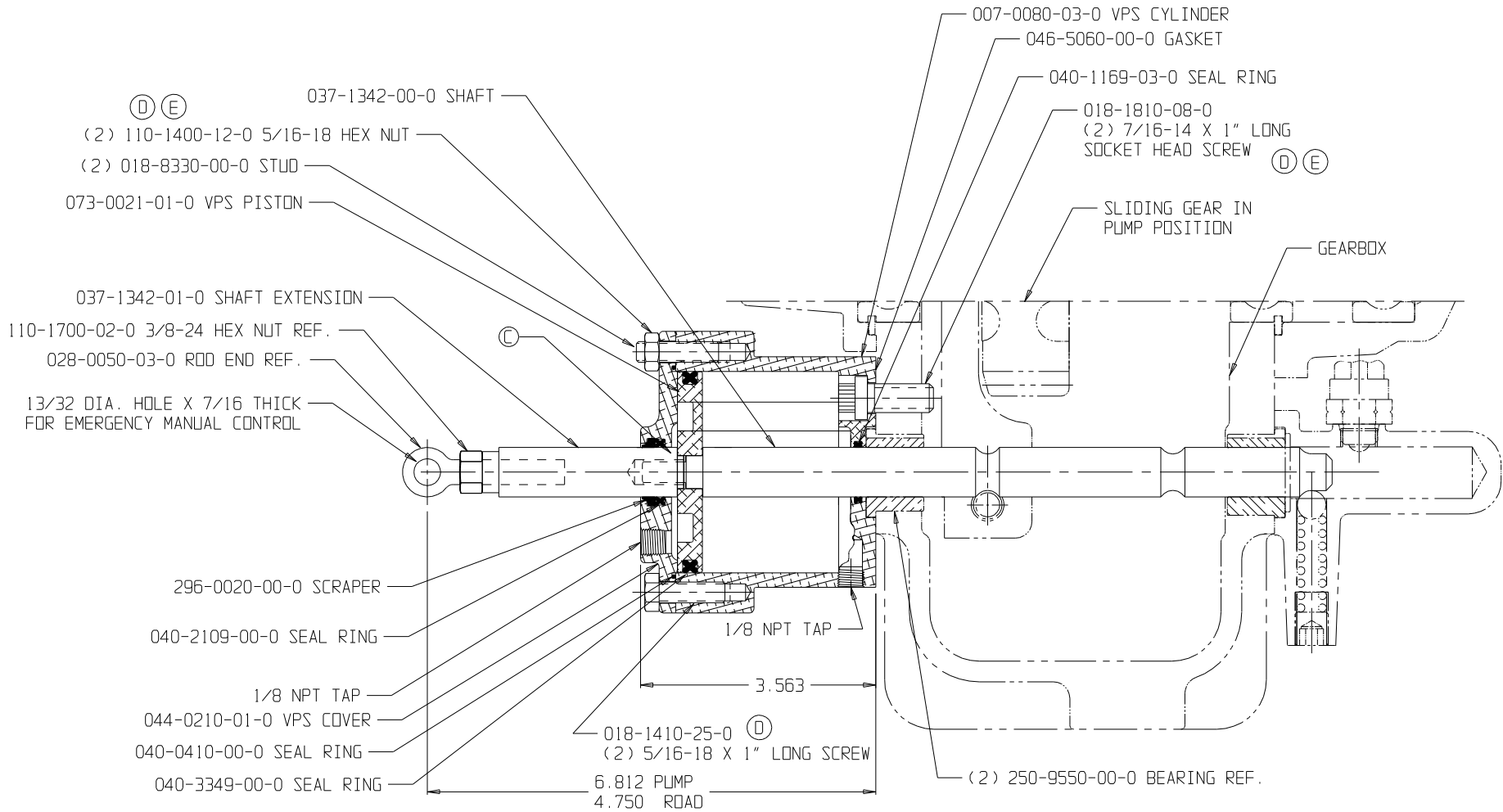
ASSEMBLY
PART NUMBER

VPS POWER SHIFT FOR THE FOLLOWING PUMP MODELS

507-0110-03-0

QSMG, QSG, QMAX, QTWD, QFLO, QPAK, MG & 4DG

HALE TYPE VPS POWER SHIFT



ECD NO	REV	CHANGED FROM	BY	DATE	APVD	ECD NO	REV	CHANGED FROM	BY	DATE	APVD
						03-085	A	REDESIGNED PLATE NO. 533CE	MD	3-26-03	MAL
						04-002	B	ADDED BEARINGS IN GEARBOX FOR REFERENCE	TKC	1-5-04	MAL
						05-070	C	ADDED SHAFT W-EXTRNL THRS; ADDED PISTON W/O D-RING GRV; DELETED D-RING SEAL	BCJ	7-29-05	MAL
						CFL3300	D	110-1400-02-0; 018-1410-02-0; 018-1810-23-0	JRH	10-21-14	JRP
						3525	E	110-1400-25-0; 018-1810-22-0	TNJ	08-18-15	JRH



HALE PRODUCTS, INC.
A Unit of IDEX Corporation
Ocala, FL 34475 USA

PLATE NO. 5330E

NOT TO BE REPRODUCED OR USED TO MAKE OTHER DRAWINGS OR MACHINERY. COPYRIGHT © 2003 IDEX CORPORATION. DRAWN: JDR, CHECKED: ROT, DATE: 6-7-95, SIZE: 26.25 X 19, SCALE: FULL