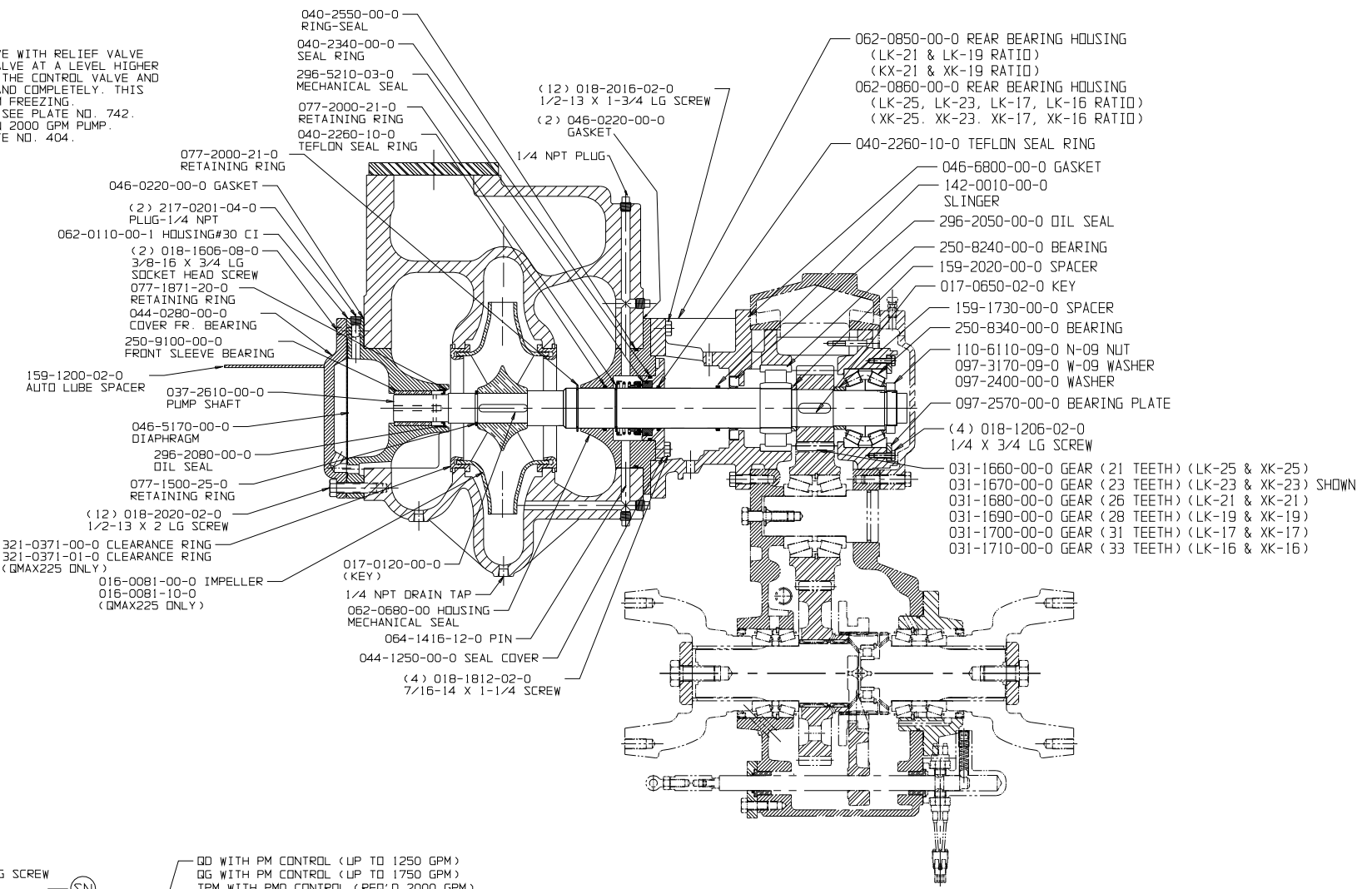
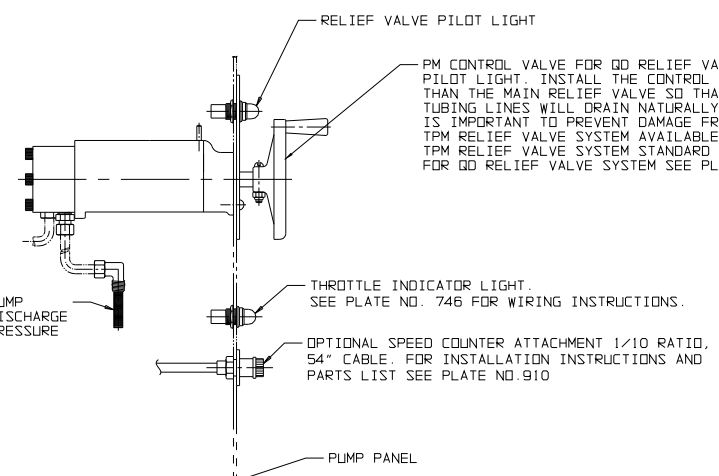
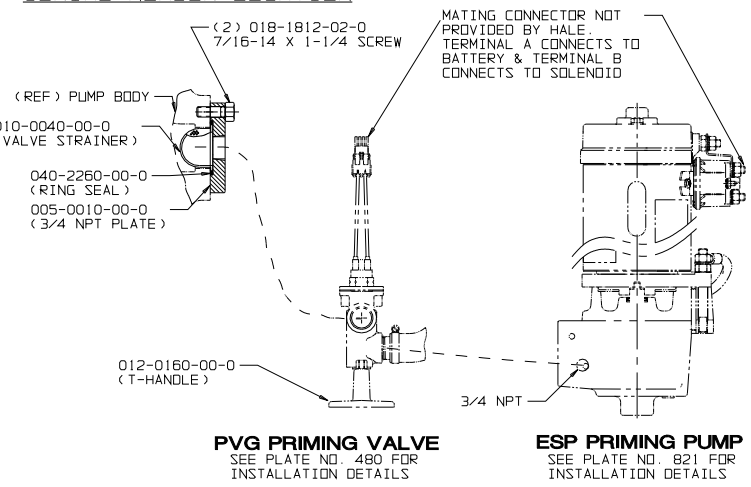


THIS PRODUCT AND ITS COMPONENTS MAY BE PROTECTED BY ONE OR MORE OF THE FOLLOWING U.S. PATENTS AND OTHER PATENTS PENDING:
4,337,830, 4,587,862, 4,653,978, 5,018,665, 5,139,393

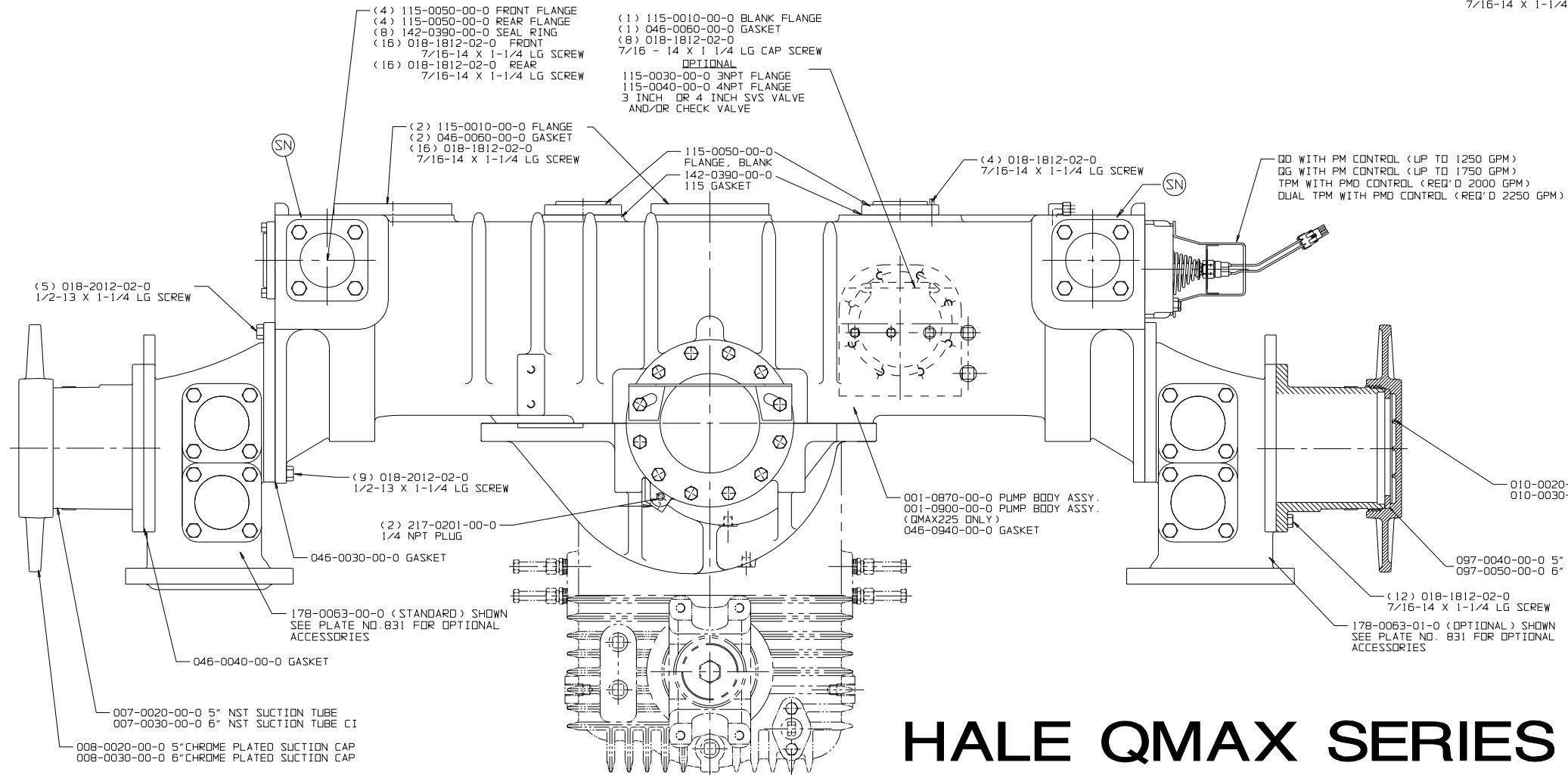
SN SERIAL NUMBER LOCATION



SEE PLATE NO. 978 FOR "K" SERIES GEARBOX

NOTES:

- SEE LIMIT CHART, HALE DOCUMENT F-72 FOR MAXIMUM ALLOWABLE PUMP PRESSURE, ENGINE HORSEPOWER AND TORQUE LIMITS FOR HALE CENTRIFUGAL PUMPS.
- APPLY LOCTITE # 246 HIGH TEMPERATURE THREAD LOCKER OR EQUIVALENT TO SCREW THREADS AND TORQUE SCREWS PER HALE ENGINEERING STANDARD ESO18-002
- UNLESS OTHERWISE INDICATED FASTENERS ARE GRADE 5 ZINC PLATED STEEL



HALE QMAX SERIES PUMP WITH "K" SERIES GEARBOX

PLATE NO. 1156AA

ECO NO	REV	CHANGED FROM	BY	DATE	APVD	ECO NO	REV	CHANGED FROM	BY	DATE	APVD
						0712	A	RELEASE FOR PRODUCTION	SJM	4-15-08	MAL

HALE PRODUCTS, INC.
A Unit of IDEX Corporation
Conshohocken, PA 19428 USA

COPYRIGHT © NOT TO BE REPRODUCED OR USED TO MAKE OTHER DRAWINGS OR MACHINERY.

DRAWN: SJM
CHECKED: MAL
DATE: 8-03-07
SIZE: D
SCALE: FULL