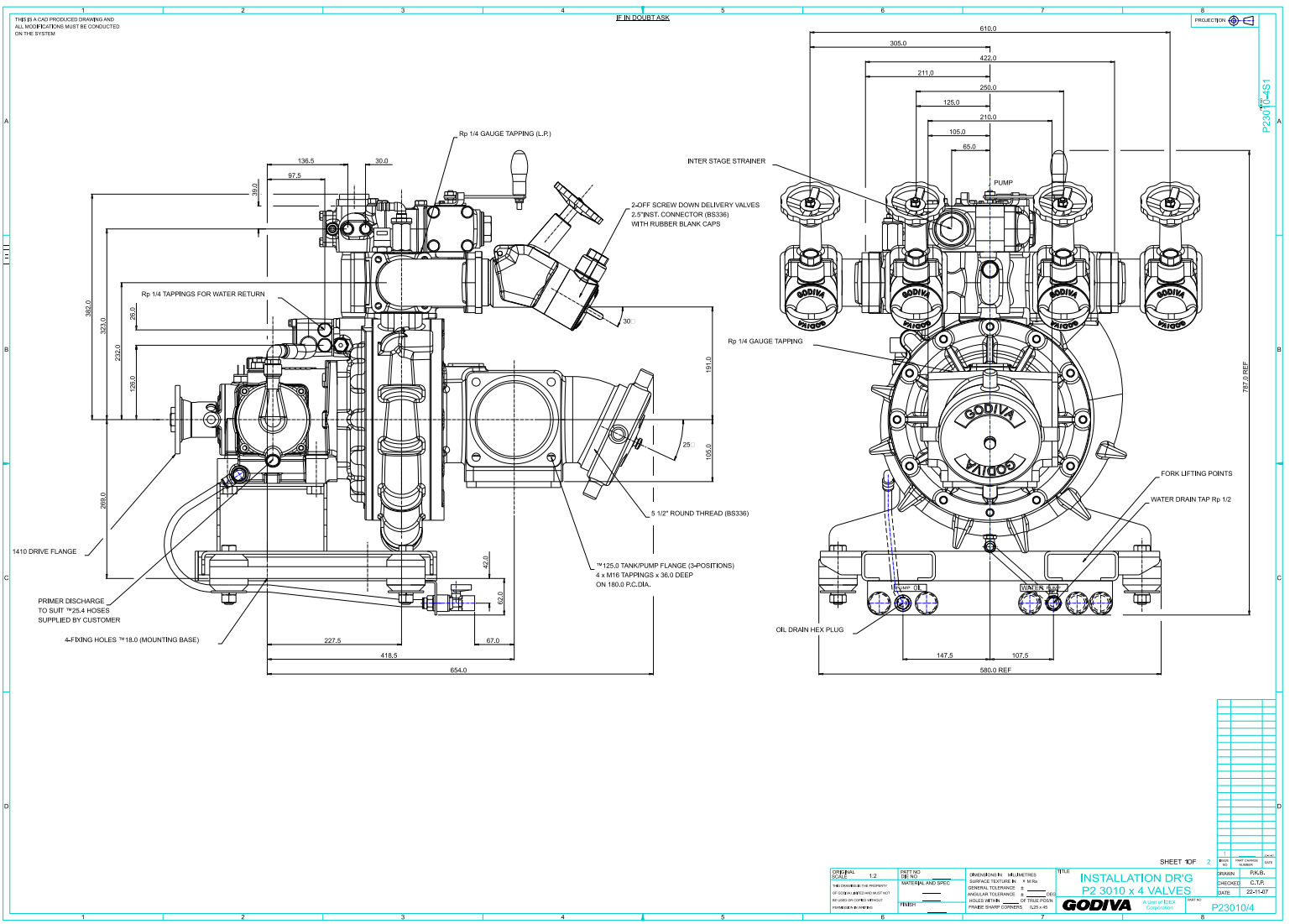


THIS IS A CAD PRODUCED DRAWING AND ALL MODIFICATIONS MUST BE CONDUCTED ON THE SYSTEM

IF IN DOUBT ASK

PROJECT NO

P23010/4S1



<b>GENERAL</b>		<b>DETAIL</b>		<b>SCALE</b>		<b>UNITS</b>		<b>TITLES</b>	
1:2	1:2	1:2	1:2	1:2	1:2	1:2	1:2	1:2	1:2
MATERIAL AND SPEC		DIMENSIONS IN MILLIMETRES		SURFACE FINISH IN MICROMETRES		GENERAL TOLERANCE		HOLE POSITION	
TOLERANCE		FINISH		HOLE POSITION		HOLE POSITION		HOLE POSITION	
TOLERANCE		FINISH		HOLE POSITION		HOLE POSITION		HOLE POSITION	

SHEET 10F 2

**INSTALLATION DR'G**  
**P2 3010 x 4 VALVES**

**GODIVA** A part of EBC Corporation

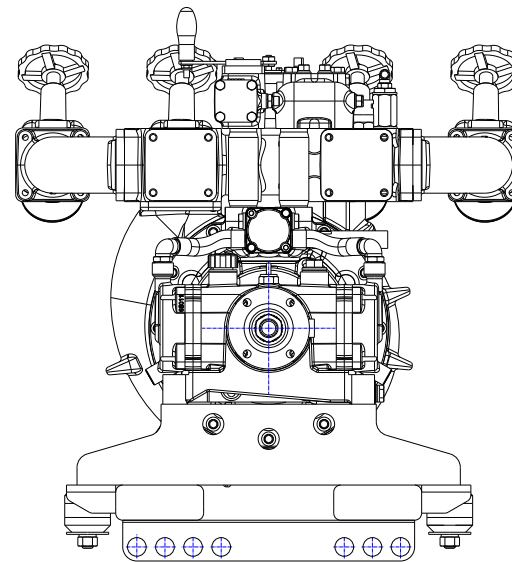
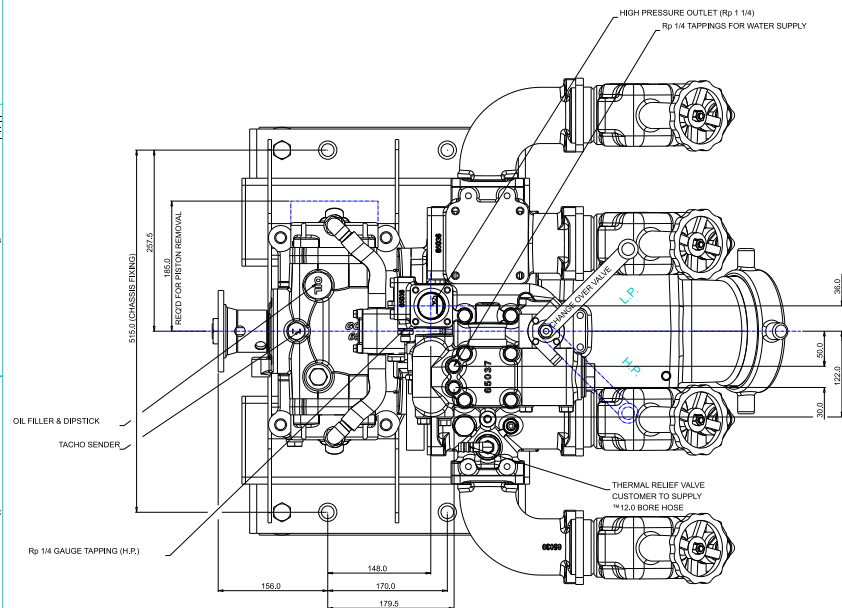
DATE: 15/04/07  
P23010/4

THIS IS A CAD PRODUCED DRAWING AND ALL MODIFICATIONS MUST BE CONDUCTED ON THE SYSTEM

JE IN COURT ASK

PROJECTION

P23010/4-52



GENERAL SCALE 1:2	DRAWN BY	ENGINEERING IN MILLIMETRES	TITLE
DATE	DATE	SURFACE FINISH BY	INSTALLATION DR'G
MATERIAL AND SPEC	DATE	GENERAL TOLERANCE	P2 3010 X 4 VALVES
TOLERANCE	DATE	ANGULAR TOLERANCE	
	DATE	ROUNDER TOLERANCE	
	DATE	PRIME SHARP CORNERS	0.25 x 45

SHEET 2 OF 2  
**GODIVA** CORPORATION  
 P23010/4

PROJ. NO.	204
DATE	22-11-2017
DRAWN	PKB
CHECKED	CTR
DATE	22-11-2017
	P23010/4