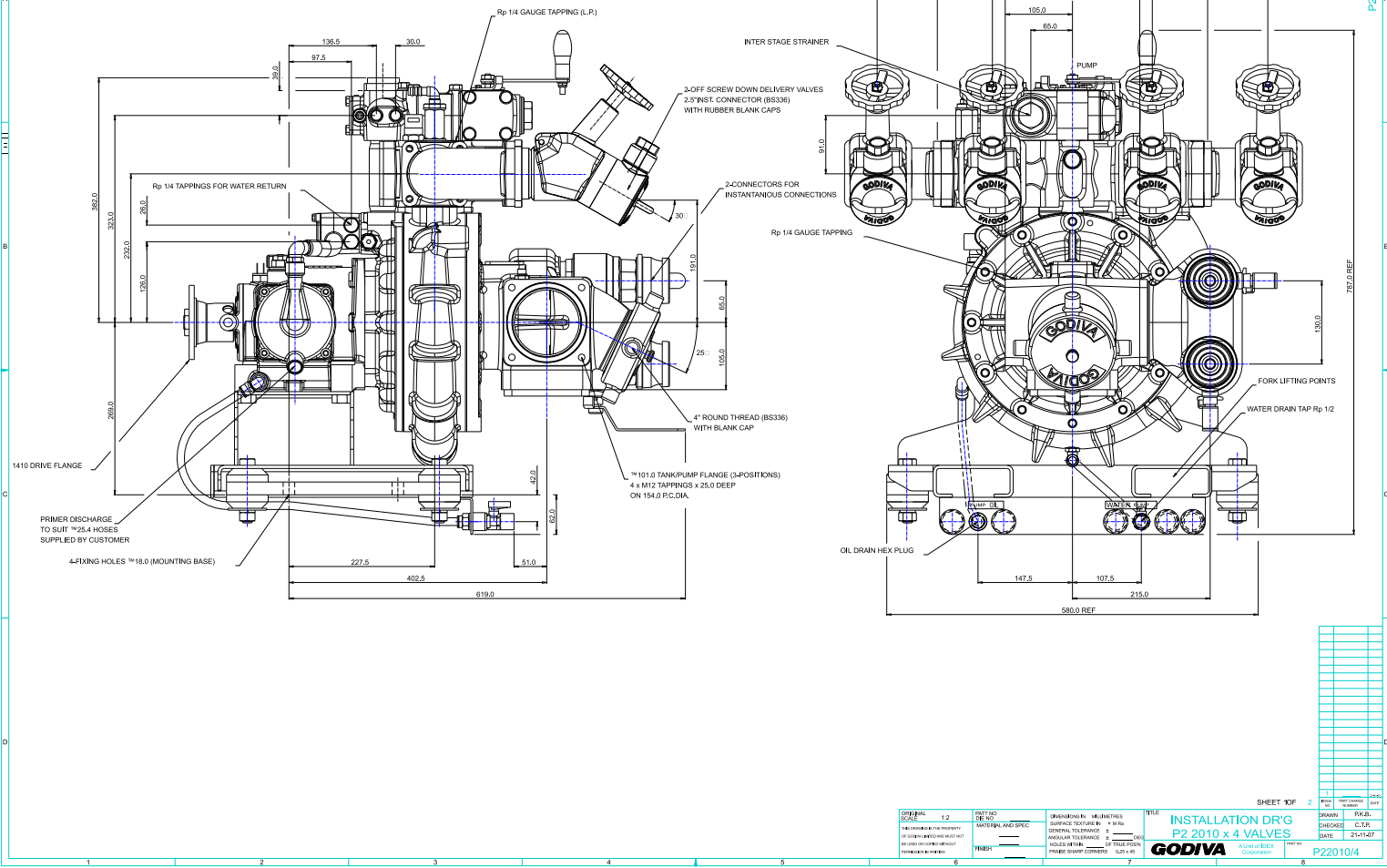


THIS IS A CAD PRODUCED DRAWING AND ALL MODIFICATIONS MUST BE CONDUCTED ON THE SYSTEM

IE IN COURT ASK

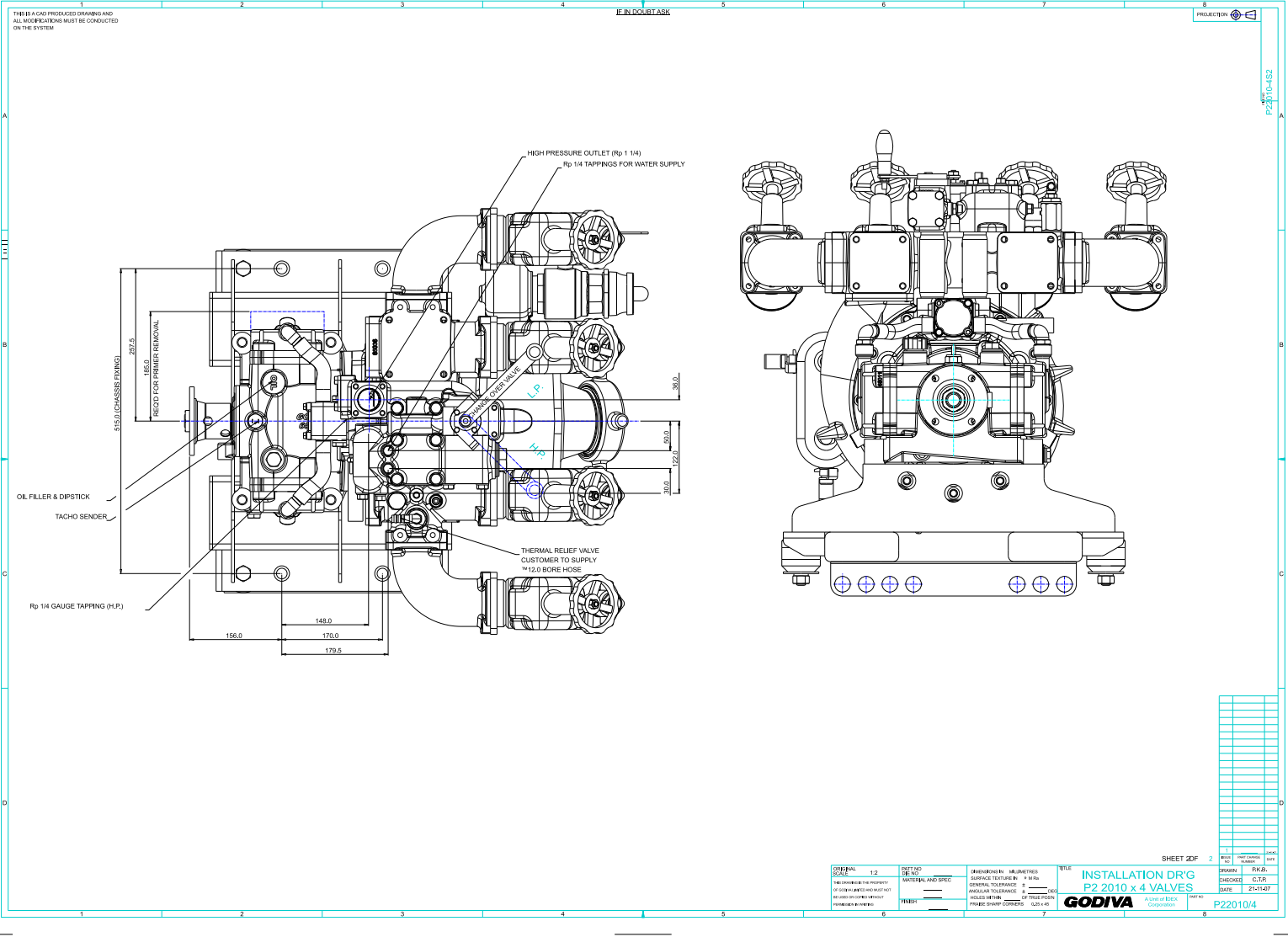
PROJECTION

P22010/4-S1



<b>GENERAL</b> SCALE: 1:2 THIS DRAWING IS THE PROPERTY OF GODIVA AND IS NOT TO BE REPRODUCED OR TRANSMITTED IN ANY FORM OR BY ANY MEANS, ELECTRONIC OR MECHANICAL, INCLUDING PHOTOCOPYING, RECORDING, OR BY ANY INFORMATION STORAGE AND RETRIEVAL SYSTEM.		<b>DATE</b> 28/05/2024		<b>FILE</b> P22010/4	
<b>MATERIAL AND SPEC</b> MATERIAL: SS316 FINISH: POLISHED		<b>FINISHING</b> SURFACE FINISH: MILL FINISH SURFACE TEXTURE: Ra 1.6 ANGULAR TOLERANCE: 0.5° HOLE POSITION: ±0.10 HOLE DIRECTION: ±0.10		<b>REVISIONS</b> NO.   DATE   DESCRIPTION 1   28/05/2024   INITIAL DESIGN	
<b>PROJECT</b> P22010/4		<b>ENGINEER</b> P. K. B.		<b>CHECKED</b> C. R.	
<b>DATE</b> 21/11/2023		<b>DATE</b> 21/11/2023		<b>DATE</b> 21/11/2023	

SHEET 00F 2  
**INSTALLATION DR'G**  
**P2 2010 x 4 VALVES**  
**GODIVA** Corporation  
 P22010/4



JE IN COURT ASK

PROJECTION

P2210-ASE

THIS IS A CAD PRODUCED DRAWING AND ALL MODIFICATIONS MUST BE CONDUCTED ON THE SYSTEM

GENERAL	SCALE 1:2	DWG NO	ENGINEERING IN MILLIMETRES	TITLE
THE DIMENSIONS ARE THE PROPERTY OF GODIVA ENGINEERING		MATERIAL AND SPEC	SURFACE TEXTURE BY $\sqrt{R_a}$ M50	INSTALLATION DR'G
PROVIDED BY THE DRAWER		TOLERANCE	ANGULAR TOLERANCE $\pm$ 40'	P2 2010 X 4 VALVES
			ROUNDER TOLERANCE $\pm$ 0.05	
			PRIMER SHAMP COVERED $0.25 \times 45$	

SHEET 2 OF 2  
**GODIVA** ENGINEERING Corporation  
 P22010/4

PROJ	100	FORMAL	2016
DES	100	ISSUED	2017
DRAWN	PKB	CHECKED	C.T.R.
DATE	21/11/17		