

**LED
20,000
LUMENS**



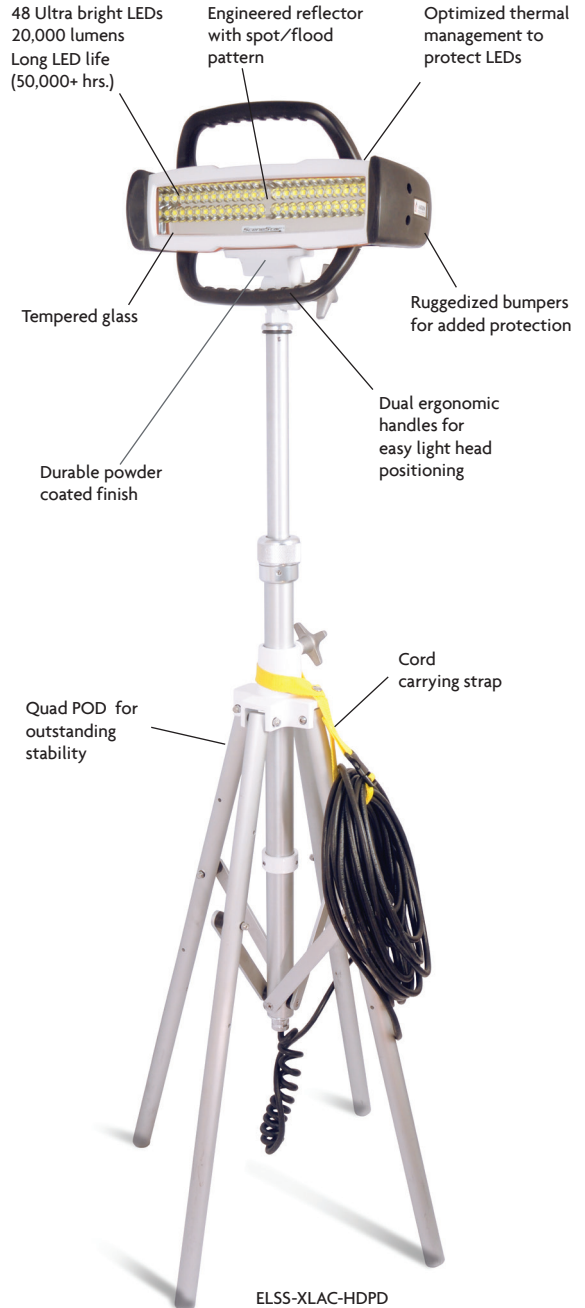
Hazardous Location SceneStar™ ELSS-XLAC-HDPL, ELSS-XLAC-HDPD

The SceneStar LED Scene Light is ideal for use in remote hazardous locations. With an output of 20,000 lumens, it provides operators with a flexible solution to use in areas where flammable vapors or gases may be present in sufficient quantities to be explosive or ignitable. It has been UL listed to UL 844 for Class I Division 2 Groups B, C and D.

Since LEDs are virtually indestructible, the SceneStar is ideal for use in a wide range of applications:

- Petroleum refineries and gasoline storage and dispensing areas
- Utility gas plants, and operations involving storage and handling of liquefied petroleum gas or natural gas
- Service applications associated with the transportation and / or storage of flammable gases
- Aircraft hangars and fuel servicing areas
- Spray finishing areas

- Available in 120VAC only
- Portable and Quad POD configurations only
- Cord lengths of 5, 25 or 50 ft (1.5, 7.6, 15.2 m) with a standard 3-prong 120VAC hazardous area plug
- Cord carrying strap included with Quad POD

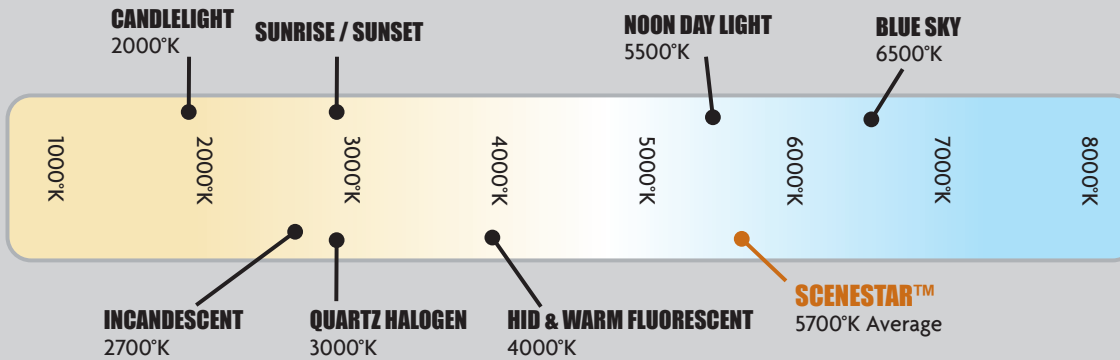
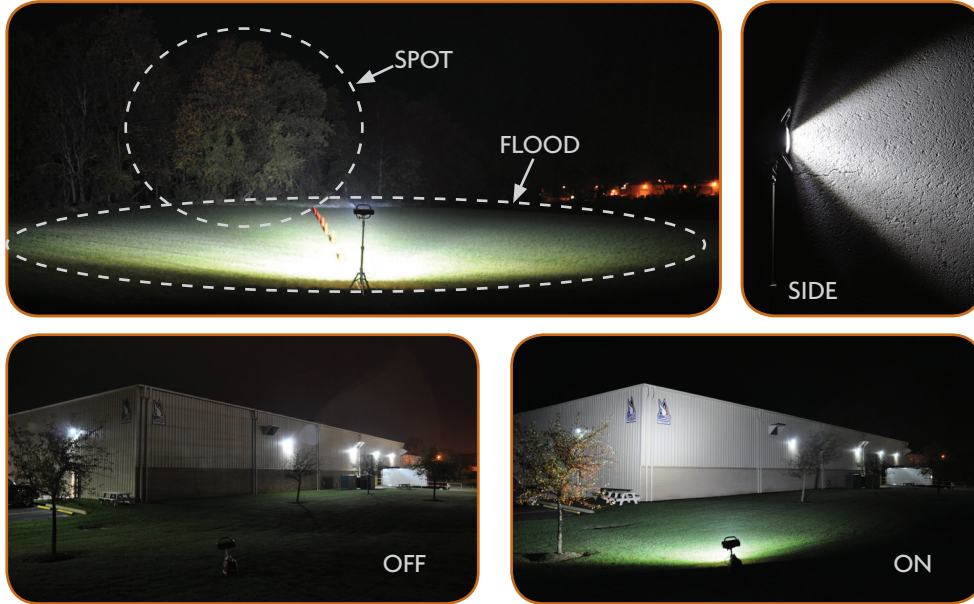


ELSS-XLAC-HDPD

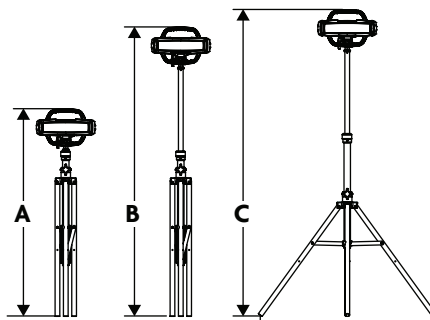
330.264.5678 | 1.800.228.1161 | www.akronbrass.com | custserv@akronbrass.com

© Copyright 2014 Akron Brass Company. All rights reserved. No portion of this can be reproduced without the express written consent of the Akron Brass Company. (04/14)

SceneStar optics were designed to illuminate your entire scene, near and far.



The SceneStar LED's provide a white light that mimics daylight.



Type	Part #*	Wattage	Voltage	AMPS	Lumens	Weight	Dimensions			
							A	B	C	D
Portable	ELSS-XLAC-HDPL					15 lbs (6.8 kg)				
Quad Pod	ELSS-XLAC-HDPDTBQ3	220 W	120VAC	1.8	20,000	37 lbs (16.7 kg)	56" (1.4 m)	77" (2 m)	82" (2.1 m)	46" (1.2 m)
Quad Pod	ELSS-XLAC-HDPDTBQ4					40 lbs (18.1 kg)	58" (1.5 m)	89" (2.3 m)	99" (2.5 m)	58" (1.5 m)

*Specify cable length of 5, 25 or 50 ft (1.5, 7.6, 15.2 m) when ordering