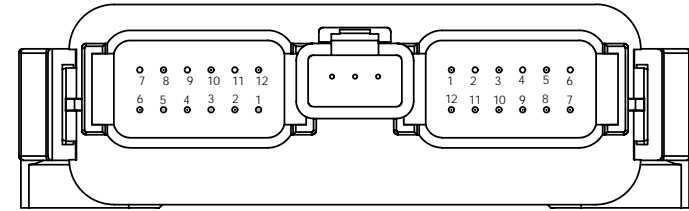
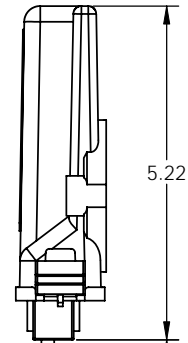
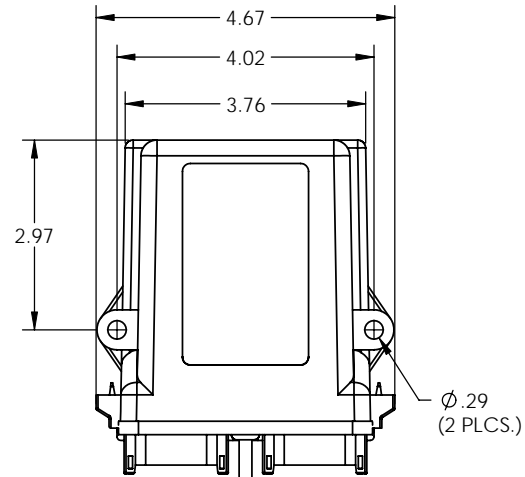


THIS DRAWING AND ALL INFORMATION CONTAINED HEREIN IS THE PROPERTY OF WELDON TECHNOLOGIES, INC. AND MAY NOT BE COPIED, REPRODUCED, OR DEVELOPED TO UNAUTHORIZED PERSONS WITHOUT THE EXPRESS WRITTEN CONSENT OF WELDON TECHNOLOGIES, INC. AS IT IS BEING PROVIDED SOLELY FOR THE CONVENIENCE OF THE USER AND SHALL BE RETURNED TO WELDON TECHNOLOGIES, INC. UPON REQUEST.

REV		DATE	DESCRIPTION	BY	DATE	APPROVED
1	POSSB		DOCUMENT RELEASE	LH	12/23/08	GD
A	DB90		PRODUCTION RELEASE	GD	4/3/09	PL



CONNECTOR 'A'

CONNECTOR 'B'

Connector 'A'	
Pin	Description
1	Park Brake
2	Service Brake
3	E-Master
4	CAN2-LO
5	CAN1-LO
6	Comm 1B
7	Comm 1A
8	CAN1-HI
9	CAN2-HI
10	Power (12/24V)
11	Red Indicator
12	Ground

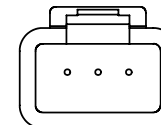
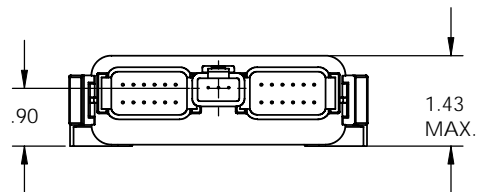
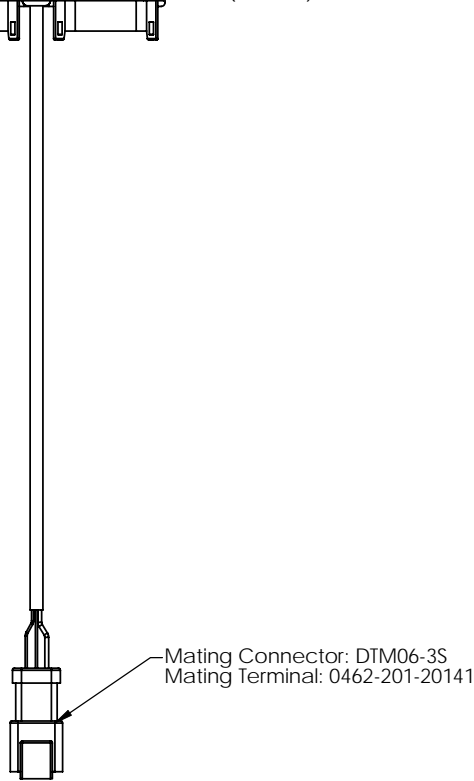
Connector 'B'	
Pin	Description
1	Seat Belt 1
2	Seat Belt 2
3	Seat Belt 3
4	Seat Belt 4
5	Seat Belt 5
6	Seat Belt 6
7	Occupancy 6
8	Occupancy 5
9	Occupancy 4
10	Occupancy 3
11	Occupancy 2
12	Occupancy 1

Mating Connector: DTM06-12SA  
Mating Terminal: 0462-201-20141

Mating Connector: DTM06-12SB  
Mating Terminal: 0462-201-20141

NOTES:

1. MOUNT MODULE USING 1/4" DIAMETER (MAX.) HARDWARE, 2 PLACES.
2. IF THE MODULE WILL BE EXPOSED TO ANY ADVERSE CONDITIONS, MOUNT WITH CONNECTORS POINTING DOWN.



1 2 3

DEUTSCH RECEPTACLE HOUSING (END VIEW)

PIN	WIRE ID	FUNCTION
1	BLUE	D+
2	WHITE	D-
3	WHITE DRAIN	GND

UNLESS OTHERWISE SPECIFIED DIMENSIONS ARE IN INCHES TOLERANCES ARE:		CAD GENERATED DRAWING: DO NOT MANUALLY UPDATE		WELDON TECHNOLOGIES, INC.	
X.XXX - #1/320		APPROVALS	DATE	CUSTOMER/INSTALLATION DRAWING VEHICLE DATA RECORDER NODE	
X.XX - #1/160		DRAWN LH	12/11/08		
X.X - #1/80		CHECKED GD	1/8/09		
ANGLES - #1/4		MFG ENG		C6444-0000-00	
MATERIAL		QUAL ENG			
FINISH		ISS C			
DO NOT SCALE DRAWING	PROJECT NO. 00172	SCALE 1:1	WELDON COMPUTER GRAPHICS	SHEET 1 OF 1	