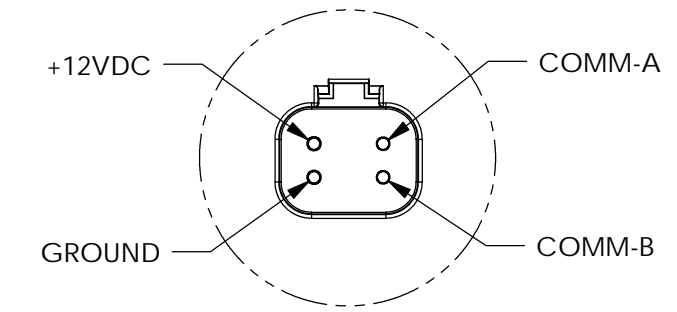


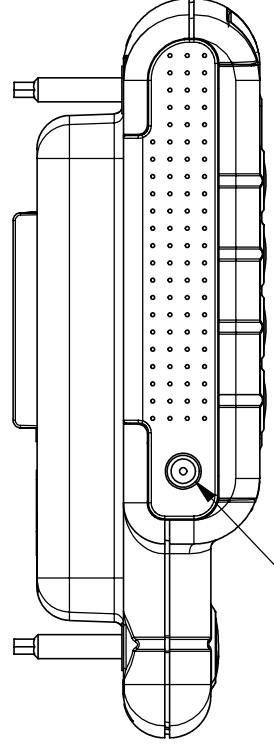
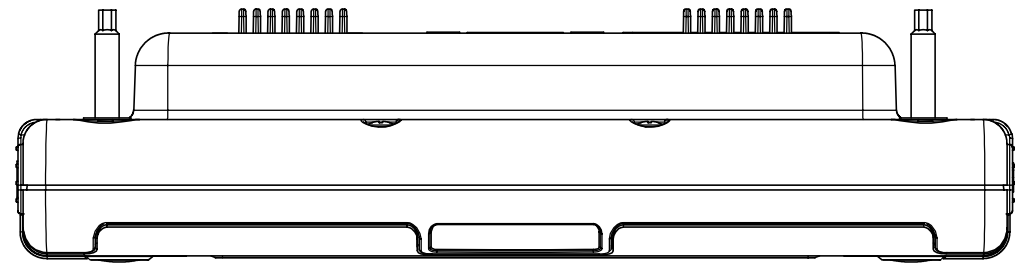
THIS DRAWING AND ALL INFORMATION CONTAINED HEREIN IS THE PROPERTY OF WELDON TECHNOLOGIES, INC. AND MAY NOT BE COPIED, REPRODUCED, OR DEVIATED TO UNAUTHORIZED PERSONS WITHOUT THE EXPRESS WRITTEN CONSENT OF WELDON TECHNOLOGIES, INC. AS IT IS BEING PROVIDED SOLELY FOR THE CONVENIENCE OF THE USER AND SHALL BE RETURNED TO WELDON TECHNOLOGIES, INC. UPON REQUEST.

REV		ECN #	DESCRIPTION	BY	DATE	APVD
A		R0677	DOCUMENTATION RELEASE	ST	3/21/06	TS

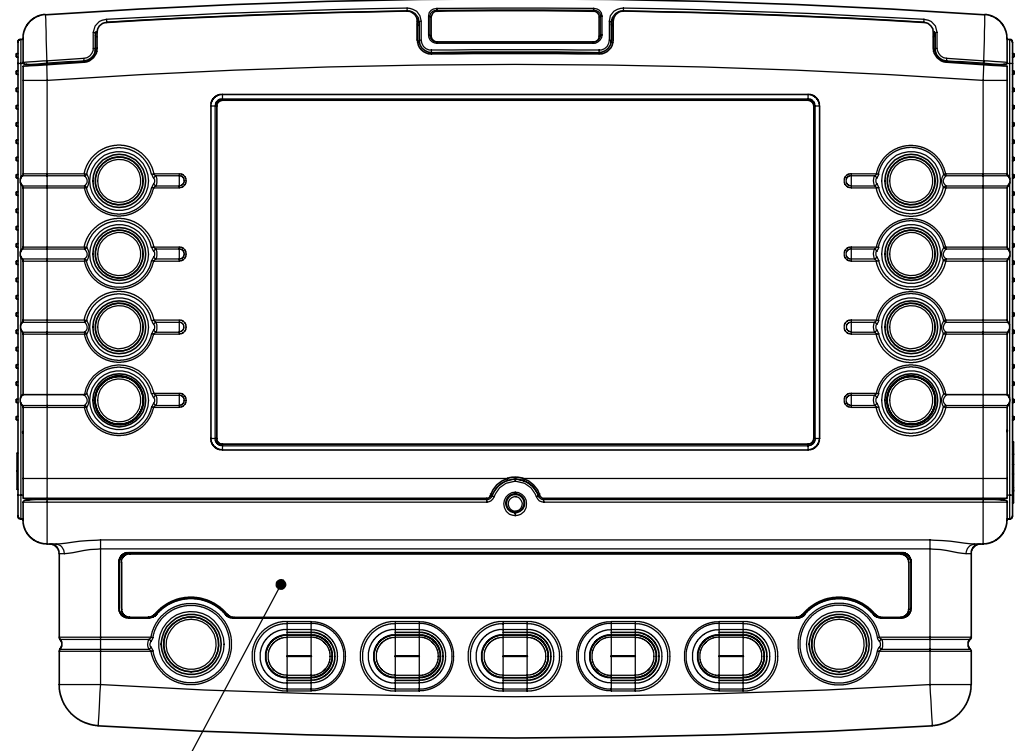
INTEGRAL POWER/COMMS CONNECTOR
MATES WITH DEUTSCH DT06-4S PLUG



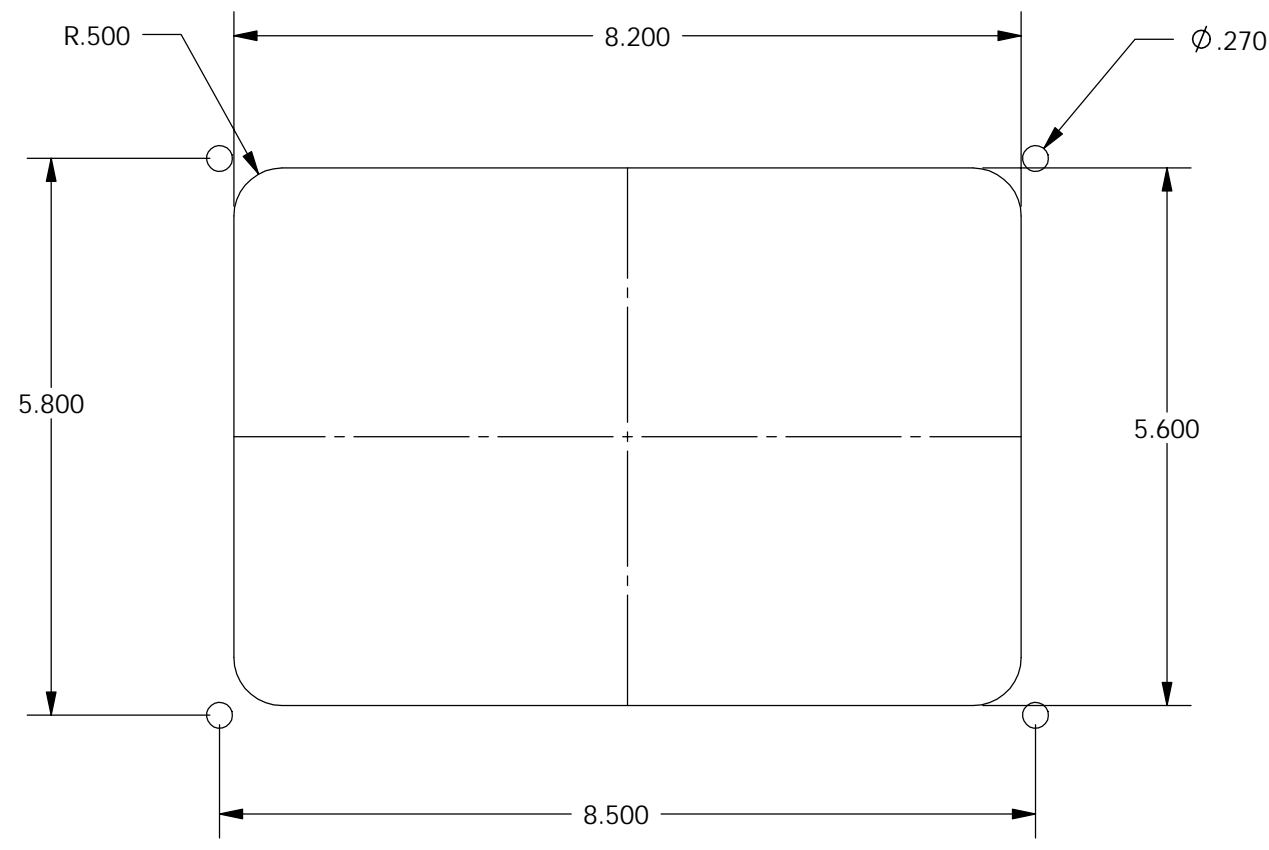
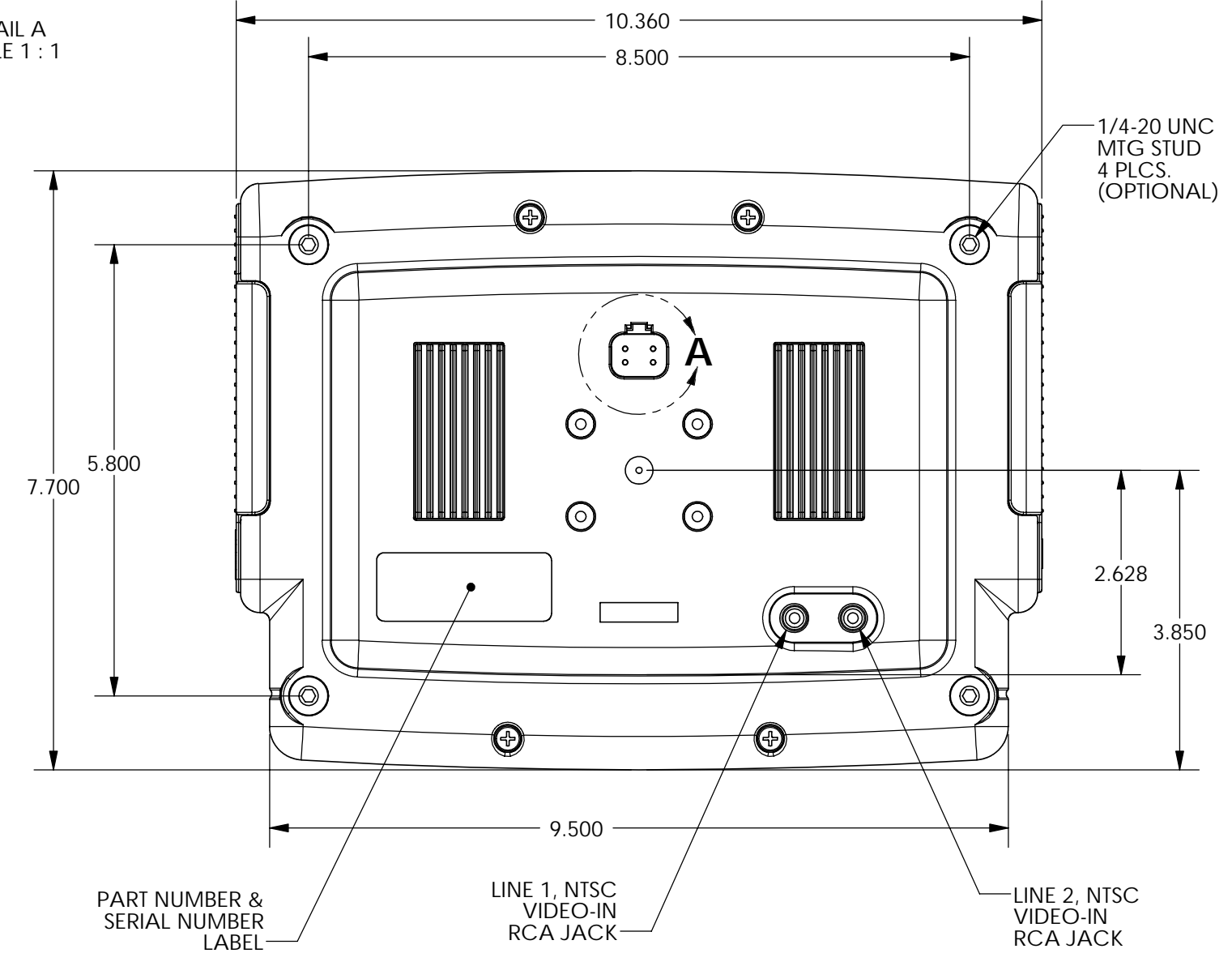
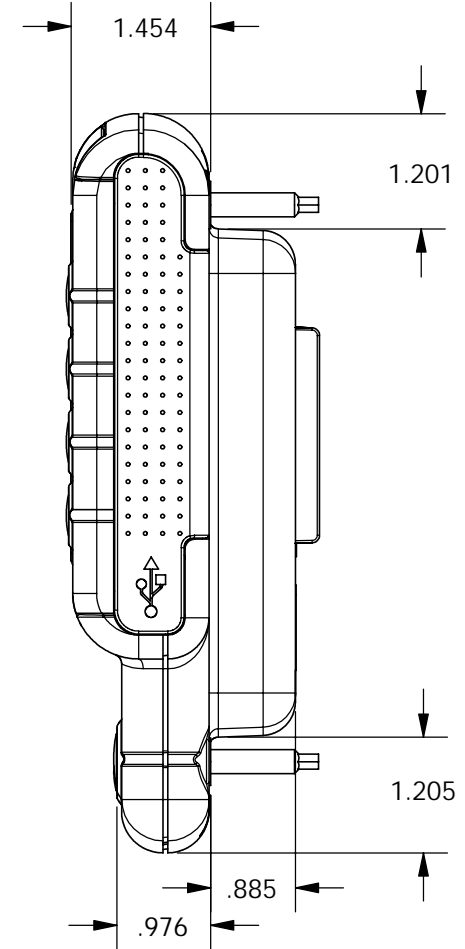
DETAIL A
SCALE 1:1



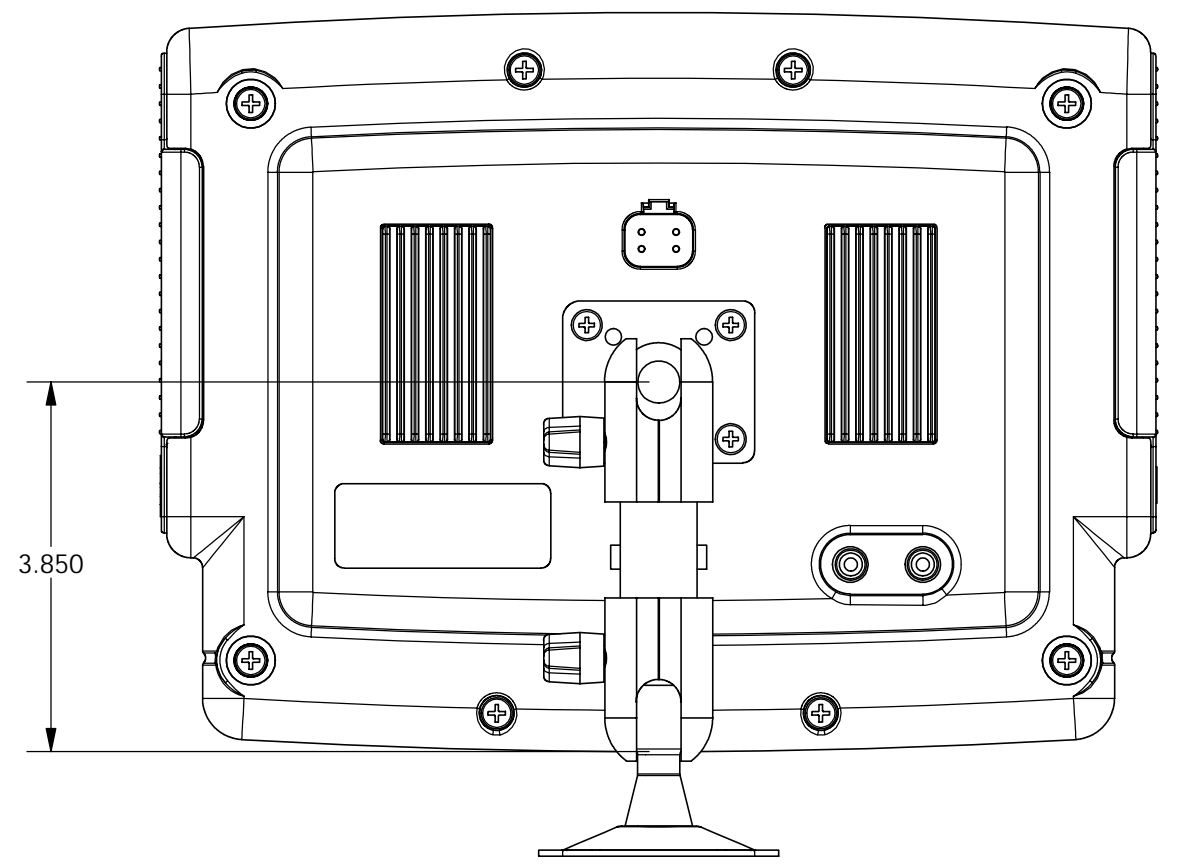
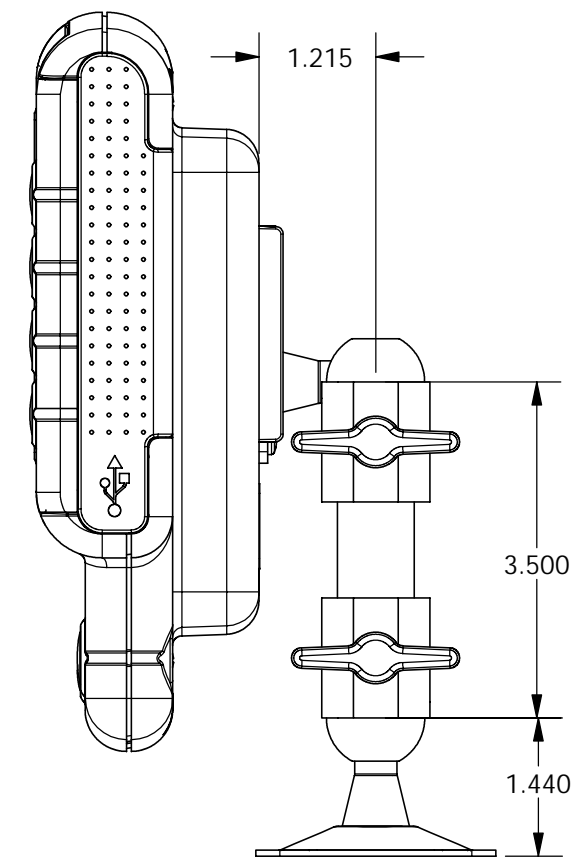
LINE 3 NTSC
VIDEO-IN
RCA JACK
UNDER FLAP



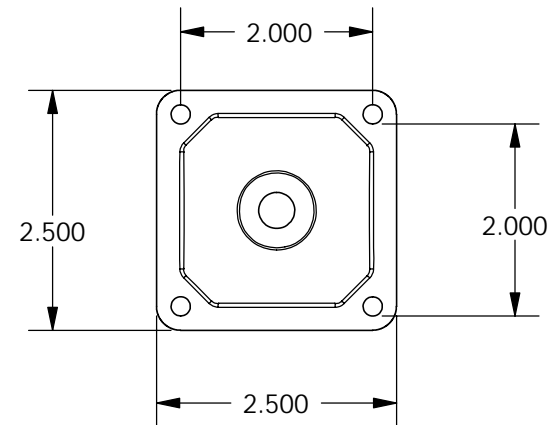
LEGEND AREA, BACKLIT;
SEE SHEET 2 FOR OPTIONS



RECOMMENDED PANEL CUT-OUT DIMENSIONS



PANAVISE SWIVEL ARM MOUNTING OPTION



UNLESS OTHERWISE SPECIFIED DIMENSIONS ARE IN INCHES TOLERANCES ARE: XXX - ±0.005 XX - ±0.020 X - ±0.050 ANGLES - ±0.5°		CAD GENERATED DRAWING. DO NOT MANUALLY UPDATE		WELDON TECHNOLOGIES, INC.	
APPROVALS		DATE		CUSTOMER DRAWING VISTA III	
DRAWN	ST	3/20/06			
CHECKED	TS	3/21/06			
MFG ENG					
FINISH		QUAL ENG		SIZE	PART NO.
DO NOT SCALE DRAWING		PROJECT NO.		C	C6231
				SCALE	N.T.S. WELDON COMPUTER GRAPHICS SHEET 1 OF 2
					REV. A

THIS DRAWING AND ALL INFORMATION CONTAINED HEREIN IS THE PROPERTY OF WELDON TECHNOLOGIES, INC. AND MAY NOT BE COPIED, REPRODUCED, OR DEVIATED TO UNAUTHORIZED PERSONS WITHOUT THE EXPRESS WRITTEN CONSENT OF WELDON TECHNOLOGIES, INC. AS IT IS BEING PROVIDED SOLELY FOR THE CONVENIENCE OF THE USER AND SHALL BE RETURNED TO WELDON TECHNOLOGIES, INC. UPON REQUEST.

REVISIONS					
REV.	ECN #	DESCRIPTION	BY	DATE	APVD
REFER TO SHEET 1 FOR REVISION RECORD					

Button Legend Reference Table							
-00	E-Master	Warning Lt Menu	Home	System Info	Secondary Menu	Heat A/C	High Idle
-03	Emerg-Mst	Park Override	Work Lts Menu	Home Menu	Module Heat/AC	Backup Alarm	Mod Power
-05	Oxygen	Suction	Inverter	Home Menu	Module Heat/AC	Timer Menu	Mod Power
-06	EMERG	PARK OVRD	EXTERIOR LIGHTING	INTERIOR LIGHTING	REAR CLIMATE	SYSTEM	MODULE
-07	SUCTION	EXHAUST VENT	EXTERIOR LIGHTING	INTERIOR LIGHTING	REAR CLIMATE	SYSTEM	MODULE
-08	E-Master	Blocking Override	Home	System Info	Service Info	Heat A/C	Horn/Siren
-09	E Master	Warning Menu	Lighting Menu	HOME	System Info	Pump Engaged	High Idle
-10	E Master	Warning Menu	Lighting Menu	HOME	System Info	Park Override	Mod Power
-11	Suction	HVAC Menu	Lighting Menu	HOME	System Info	Exhaust Fan	Mod Power
-12	All Off	Dash Area	Interior Lights	Generator	Exterior Lights	Slide Outs	Coach Info
-13	All Off	Blinds	Interior Lights	Generator	Exterior Lights	Slide Outs	Coach Info
-14	E-Master	Exterior Lights	Dim Panel	Home	Secondary Menus	Heat A/C	Module
-15	Vacuum	Interior Lights	Power Vent	Home	Secondary Menus	Heat A/C	Module
-16	E-Master	Warning Menu	Home Menu	Climate Control	Silent Mode	Backup Alarm	Mod Power
-17	Patient	Climate Control	Home Menu	Code Red	Code Yellow	Code Green	Mod Power
-18	E-Master	Warning Menu	Lighting Menu	Home	System Info	Auxiliary System	Generator
-19	Emerg-Mst	Park Override	Work Lts Menu	Home Menu	Timer Menu	Backup Alarm	Mod Power
-20	E Master	Warning	Lighting	HOME	System Info	Park Override	Alarm Silence
-21	Backlight	HVAC	Lighting	HOME	System Info	Exhaust Fan	Alarm Silence
-22	E Master	Warning Menu	Exterior Lighting	HOME	System Info	Override	High Idle

UNLESS OTHERWISE SPECIFIED DIMENSIONS ARE IN INCHES TOLERANCES ARE: X.XXX - ±0.005 X.XX - ±0.020 X.X - ±0.050 ANGLES - ±0.5°		CAD GENERATED DRAWING. DO NOT MANUALLY UPDATE		WELDON TECHNOLOGIES, INC.	
APPROVALS		DATE		CUSTOMER DRAWING VISTA III	
DRAWN ST		3/20/06			
CHECKED TS		3/21/06			
MATERIAL		MFG ENG			
FINISH		QUAL ENG		SIZE PART NO. C6231 REV. A	
DO NOT SCALE DRAWING		PROJECT NO.		SCALE N.T.S. WELDON COMPUTER GRAPHICS SHEET 2 OF 2	