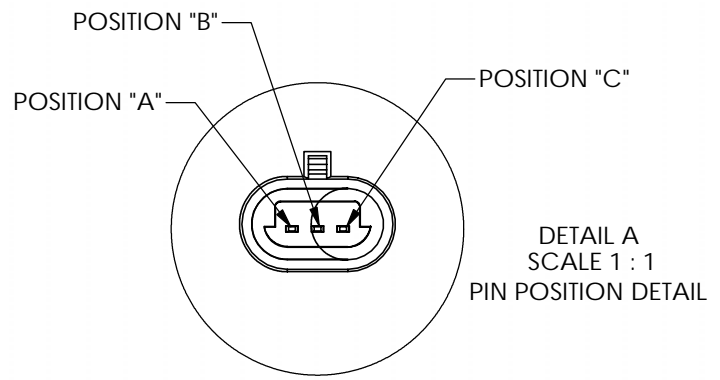
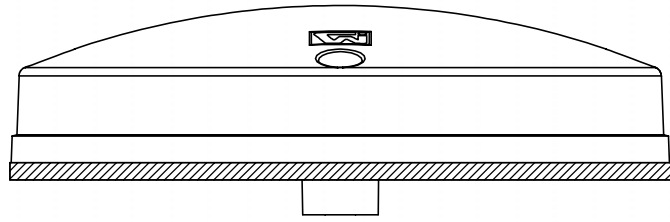
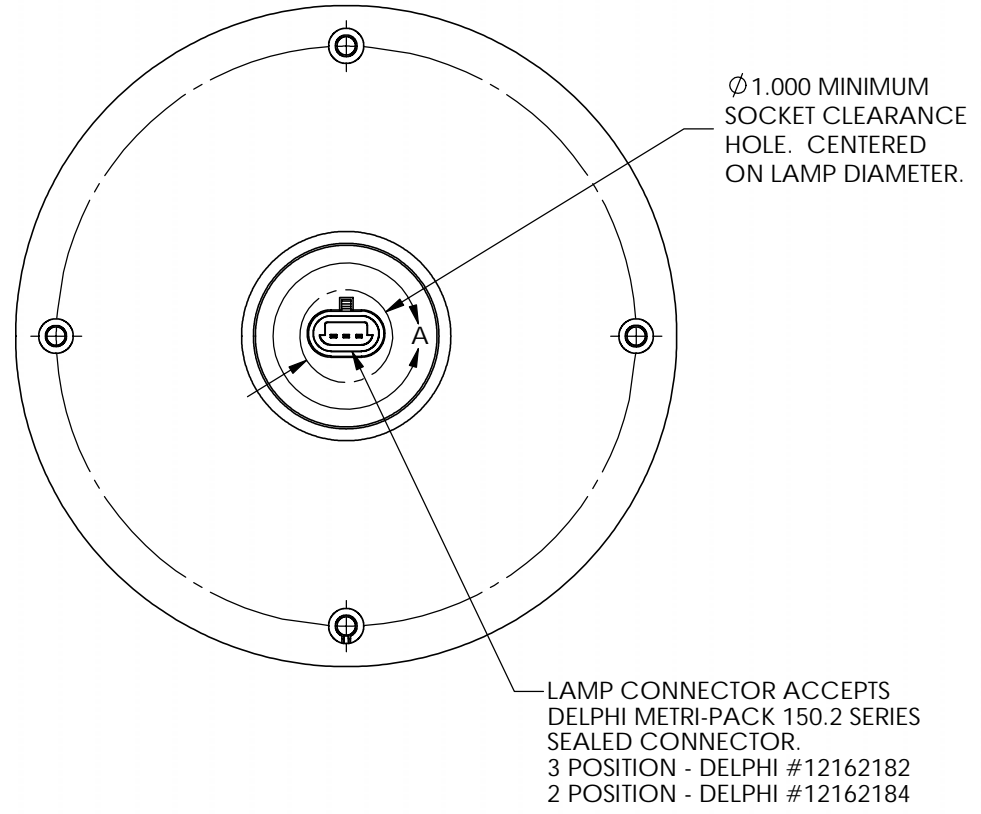
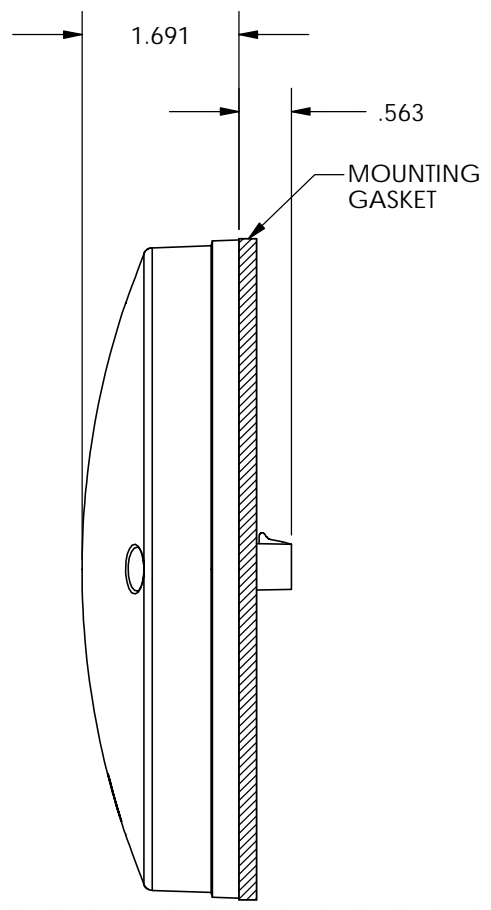
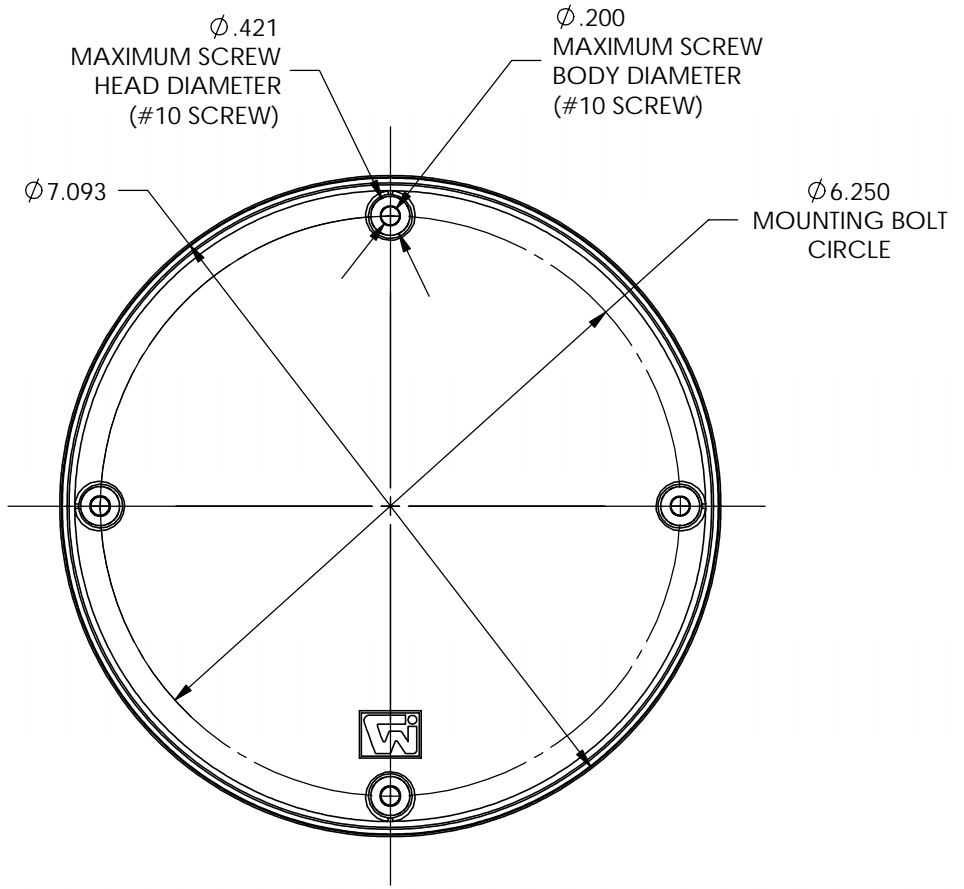


THIS DRAWING AND ALL INFORMATION CONTAINED HEREIN IS THE PROPERTY OF WELDON TECHNOLOGIES, INC. AND MAY NOT BE COPIED, REPRODUCED, OR DIVULGED TO UNAUTHORIZED PERSONS WITHOUT THE EXPRESS WRITTEN CONSENT OF WELDON TECHNOLOGIES, INC. AS IT IS BEING PROVIDED SOLELY FOR THE CONVENIENCE OF THE USER AND SHALL BE RETURNED TO WELDON TECHNOLOGIES, INC UPON REQUEST.

REVISIONS				
REV.	ECN	DESCRIPTION	DATE	BY APVD
A	R0464	RELEASE FOR REFERENCE	9/30/03	TB ST
	R0475	ADDED 1010-8100-30; ADDED PIN POSITION DETAIL	11/3/03	TB ST



**PIN POSITION TABLE**

PART NUMBER	POSITION		
	A	B	C
1010-8100-10	STOP	TAIL	GROUND
1010-8100-20	TURN	PARK	GROUND
1010-8100-30	POWER	--	GROUND

UNLESS OTHERWISE SPECIFIED DIMENSIONS ARE IN INCHES TOLERANCES ARE: X.XXX - $\pm$ 0.005 X.XX - $\pm$ 0.020 X.X - $\pm$ 0.050 ANGLES - $\pm$ 0.5°	CAD GENERATED DRAWING. DO NOT MANUALLY UPDATE		<b>WELDON TECHNOLOGIES, INC.</b>  7" ROUND L.E.D. LAMP	
	APPROVALS	DATE		
	DRAWN	BARNETT	9/30/03	
	CHECKED	ST	9/30/03	
MATERIAL				
FINISH				
DO NOT SCALE DRAWING	PROJ. NO.	00125	SCALE: 1:2	SIZE B PART NO. C1010-8100-00 WELDON COMPUTER GRAPHICS SHEET 1 OF 1