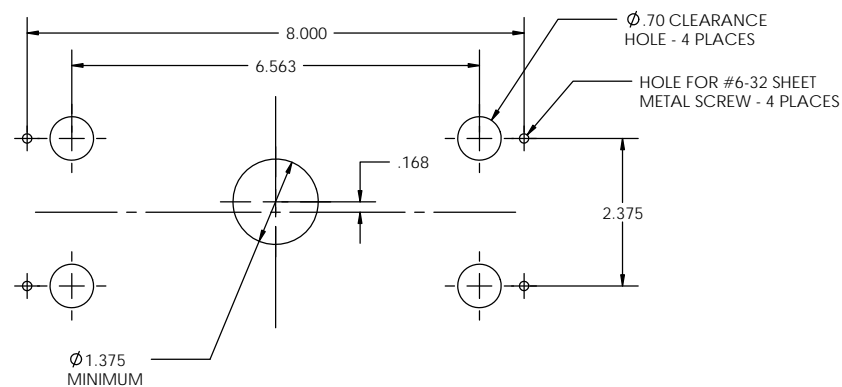
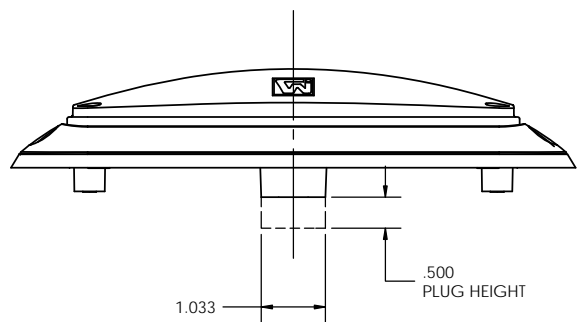
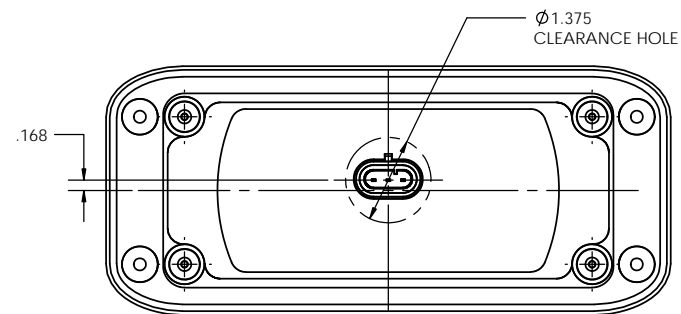
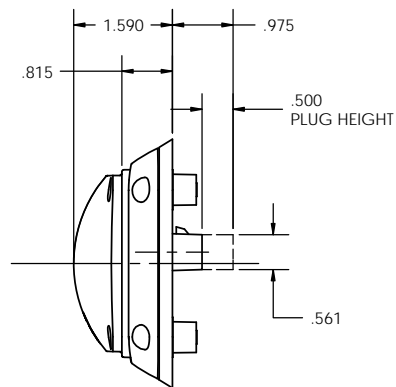
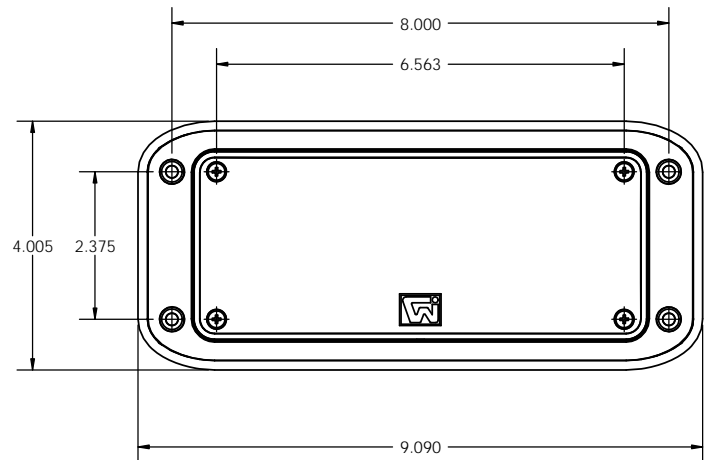


THIS DRAWING AND ALL INFORMATION CONTAINED HEREIN IS THE PROPERTY OF WELDON TECHNOLOGIES, INC. AND MAY NOT BE COPIED, REPRODUCED, OR DEVIATED TO UNAUTHORIZED PERSONS WITHOUT THE EXPRESS WRITTEN CONSENT OF WELDON TECHNOLOGIES, INC. AS IT IS BEING PROVIDED SOLELY FOR THE CONVENIENCE OF THE USER AND SHALL BE RETURNED TO WELDON TECHNOLOGIES, INC. UPON REQUEST.

| REVISIONS | | | | |
|-----------|-----|-----------------------|---------|-----------|
| REV. | ECN | DESCRIPTION | DATE | BY / APVD |
| 1 | -- | RELEASE FOR REFERENCE | 2/15/01 | TB |
| | | | | |
| | | | | |



RECOMMENDED PANEL CUT-OUT
FOR ALTERNATE PANEL CUT-OUT DIMENSIONS
REFERENCE 38X2, BEZEL MOUNT DRAWING

UNLESS OTHERWISE SPECIFIED
DIMENSIONS ARE IN INCHES
TOLERANCES ARE:
X.XXX - ±0.005
X.XX - ±0.020
X.X - ±0.050
ANGLES - ±0.5°

CAD GENERATED DRAWING.
DO NOT MANUALLY UPDATE

WELDON TECHNOLOGIES, INC.

| | |
|----------------------|-------------------|
| APPROVALS | DATE |
| DRAWN BARNETT | 2/15/01 |
| CHECKED | |
| QUAL ENG | |
| MFG ENG | |
| DO NOT SCALE DRAWING | PROJ. NO. 00117-1 |

| | | |
|------------|---------------------------------------|------|
| SIZE B | PART NO. 3872 SERIES | REV. |
| SCALE: 1:2 | WELDON COMPUTER GRAPHICS SHEET 1 OF 1 | |