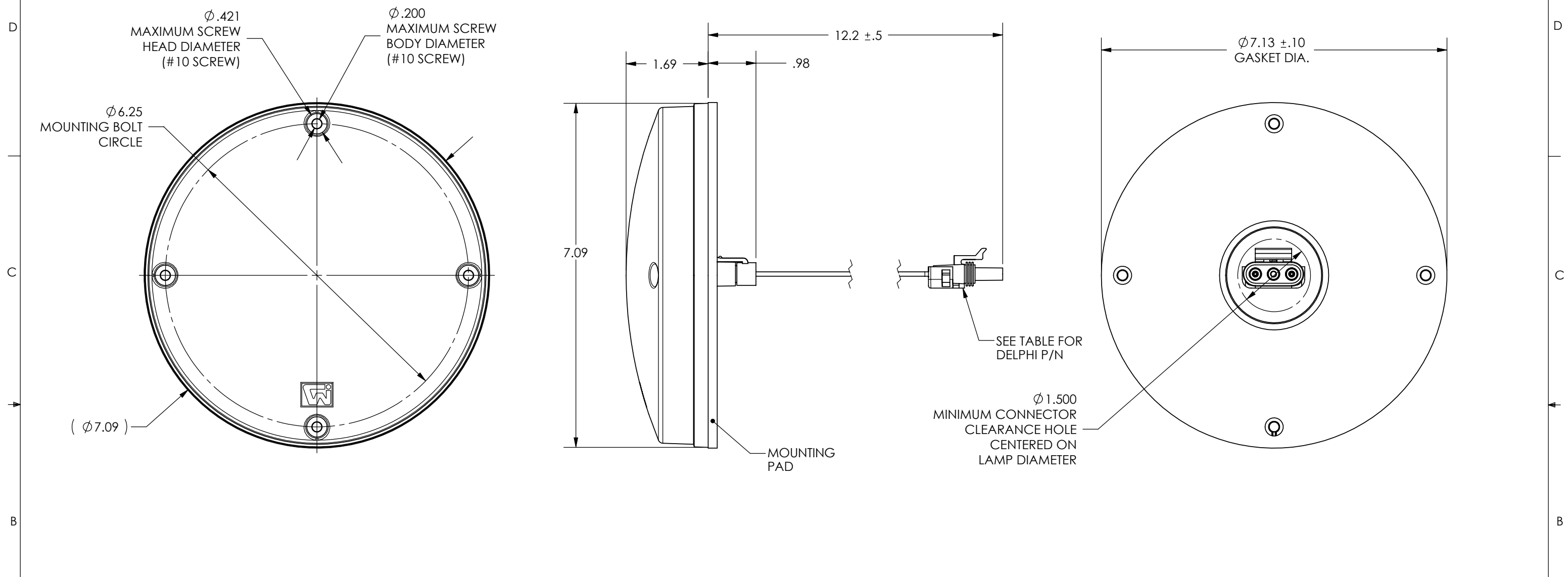


THIS DRAWING AND ALL INFORMATION CONTAINED HEREIN IS THE PROPERTY OF WELDON TECHNOLOGIES, INC. AND MAY NOT BE COPIED, REPRODUCED, OR DEVULGED TO UNAUTHORIZED PERSONS WITHOUT THE EXPRESS WRITTEN CONSENT OF WELDON TECHNOLOGIES, INC. AS IT IS BEING PROVIDED SOLELY FOR THE CONVENIENCE OF THE USER AND SHALL BE RETURNED TO WELDON TECHNOLOGIES, INC UPON REQUEST.

REVISIONS					
REV.	ECN	DESCRIPTION	DATE	BY	APVD
A	R0497	RELEASE FOR REFERENCE	1/28/04	ST	TB
B	R0769	ADDED 1010-8111-30	11/2/07	LH	ST
C	R0834	ADDED 1010-9111-20	4/25/08	ST	ST



- NOTES:  
 1. INPUT VOLTAGE: 10-16VDC (12.8 NOMINAL)  
 2. OPERATING TEMP: -40 TO +55C  
 3. STANDARD PACK QTY: 12 LAMPS PER CARTON.

PART NUMBER	WIRE FUNCTION			LAMP HARNESS CONNECTOR	SERVICE PARTS	
	RED	BLACK	WHITE		LAMP	PLUG
1010-8111-10	STOP	TAIL	GROUND	DELPHI 12015793	1010-8100-10	0K90-1704-00
1010-8111-20	TURN	PARK	GROUND	DELPHI 12015793	1010-8100-20	0K90-1704-00
1010-8111-30	DOME	--	GROUND	DELPHI 12015792	1010-8100-30	0K90-2216-00
1010-9111-20	TURN	--	GROUND	DELPHI 12015792	1010-8100-20	0K90-2216-00

UNLESS OTHERWISE SPECIFIED DIMENSIONS ARE IN INCHES TOLERANCES ARE: X.XXX - ±0.005 X.XX - ±0.020 X.X - ±0.050 ANGLES - ±0.5°	CAD GENERATED DRAWING, DO NOT MANUALLY UPDATE		<b>WELDON TECHNOLOGIES, INC.</b>	
	APPROVALS	DATE		
	DRAWN	ST	1/28/04	CUSTOMER DRAWING 7" ROUND L.E.D. LAMP W/ PLUG ASSEMBLY
	CHECKED	TB	1/28/04	
MATERIAL			SIZE	PART NO.
FINISH			B	C1010-8111-00
DO NOT SCALE DRAWING	PROJ. NO.	00125	REV.	C
SCALE: 1:2		WELDON COMPUTER GRAPHICS		SHEET 1 OF 1