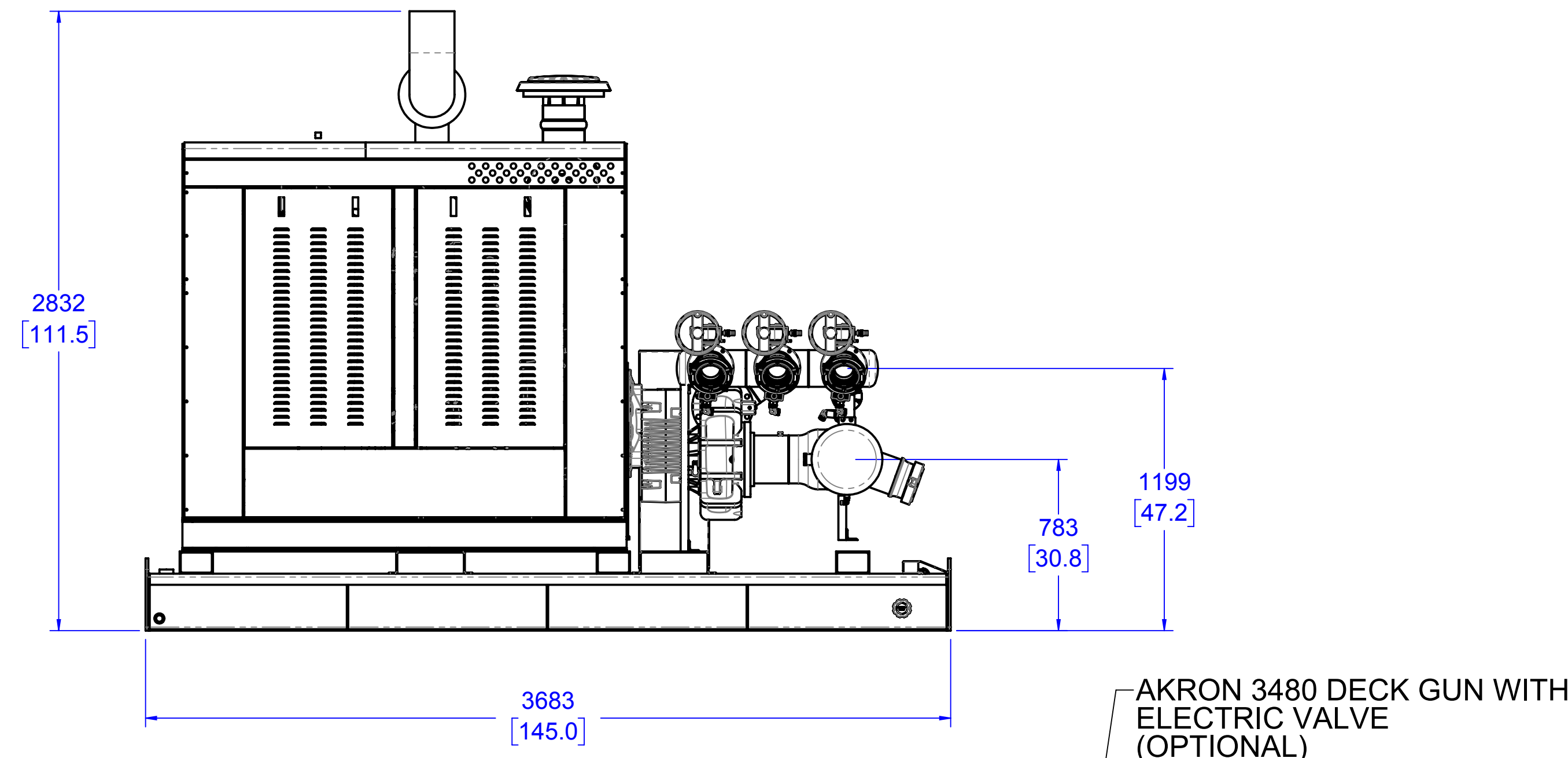


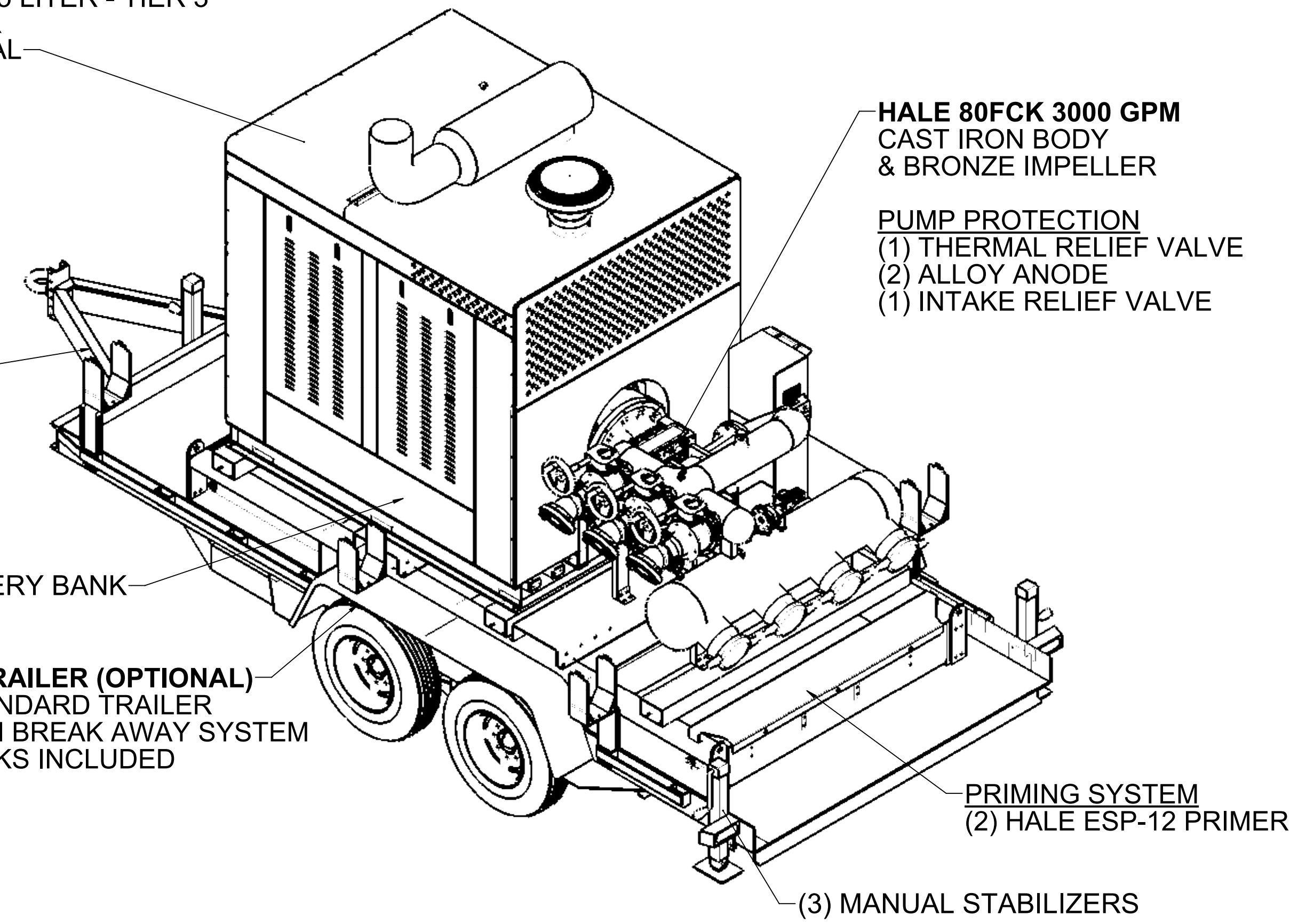
GENERAL NOTES:

1. FUEL CAPACITY: 200 GALLONS
2. APPROXIMATE UNIT WEIGHT: 14000 LBS (WITH FUEL & TRAILER)

PROJECTION: 



JOHN DEERE 6135 DIESEL ENGINE
 500 HP @ 2100 RPM- 13.5 LITER - TIER 3
 HEAVY DUTY RADIATOR
 IVECO ENGINE OPTIONAL



HALE 80FCK 3000 GPM
 CAST IRON BODY
 & BRONZE IMPELLER

PUMP PROTECTION
 (1) THERMAL RELIEF VALVE
 (2) ALLOY ANODE
 (1) INTAKE RELIEF VALVE

INTEGRATED
 CHAIN BOX

12V BATTERY BANK

12,000 GVWR MIN TRAILER (OPTIONAL)
 SKID STEER STANDARD TRAILER
 ELECTRIC BRAKES WITH BREAK AWAY SYSTEM
 WHEEL CHOCKS INCLUDED

PRIMING SYSTEM
 (2) HALE ESP-12 PRIMER

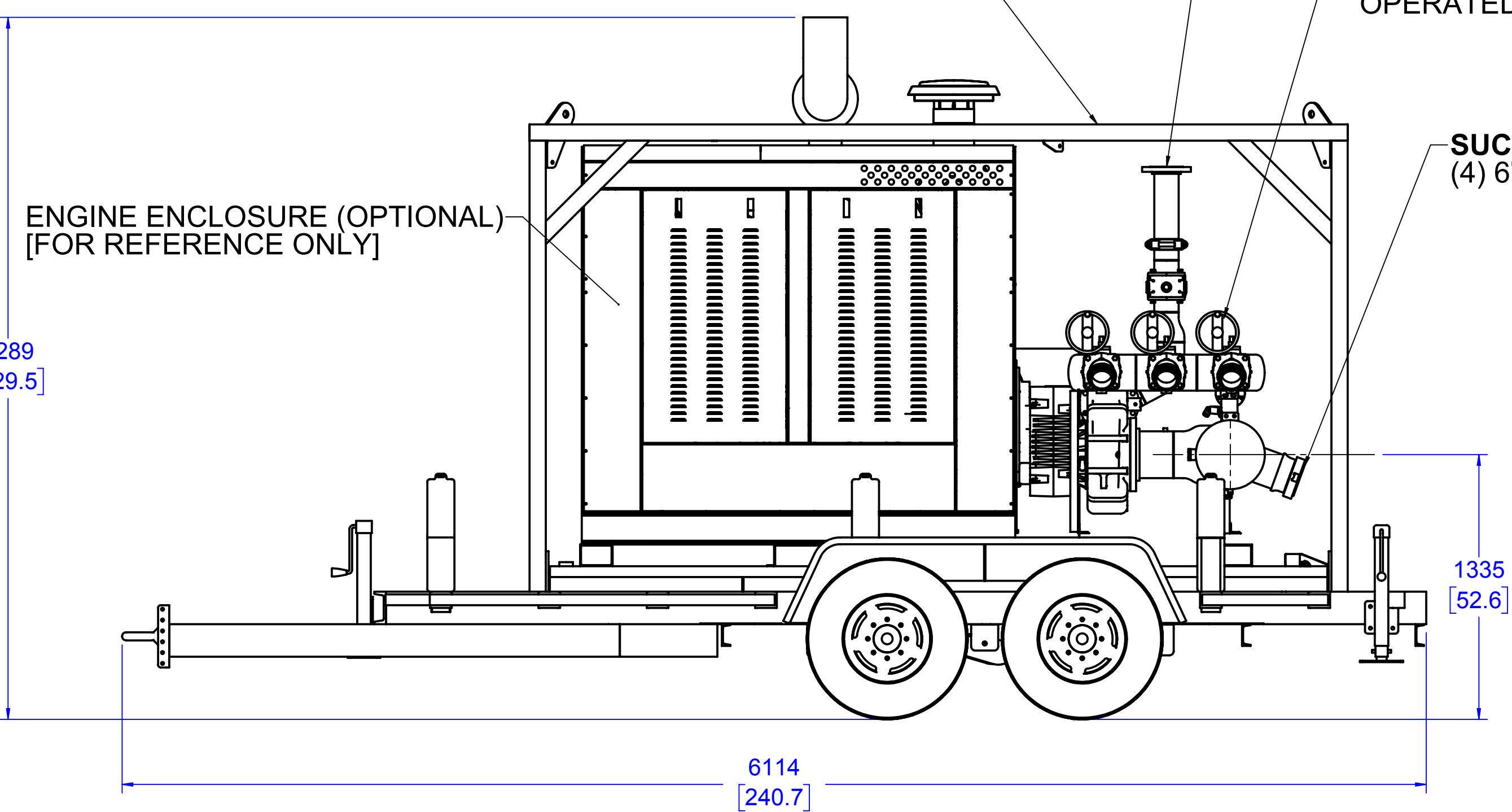
(3) MANUAL STABILIZERS

4-POINT LIFTING FRAME / EXOSKELETON
 (OPTIONAL)

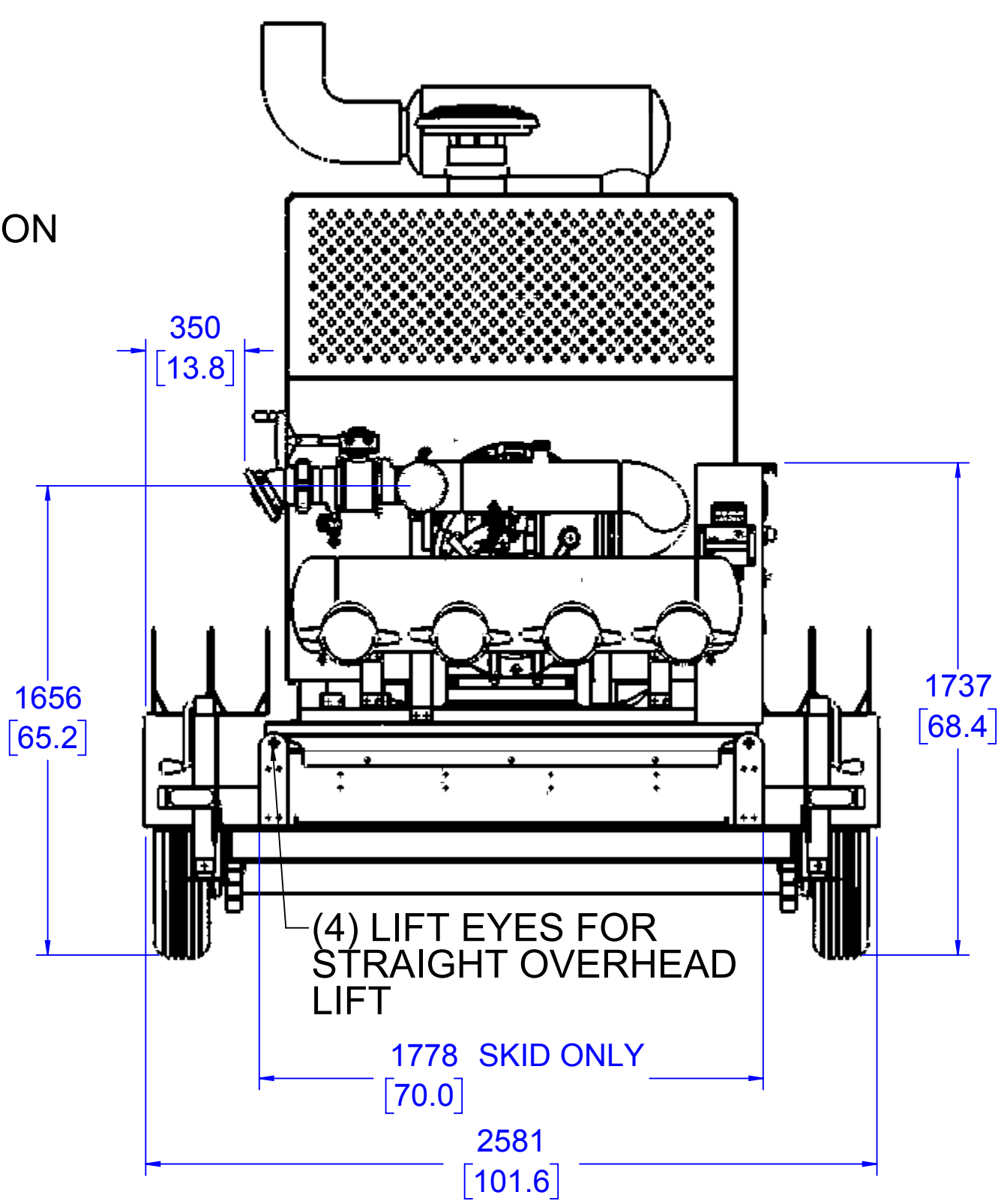
AKRON 3480 DECK GUN WITH
 ELECTRIC VALVE
 (OPTIONAL)

DISCHARGE
 (3) 4" VALVES WITH 5" STORZ CONNECTION
 WITH MANUAL HANDWHEEL
 OPERATED VALVES

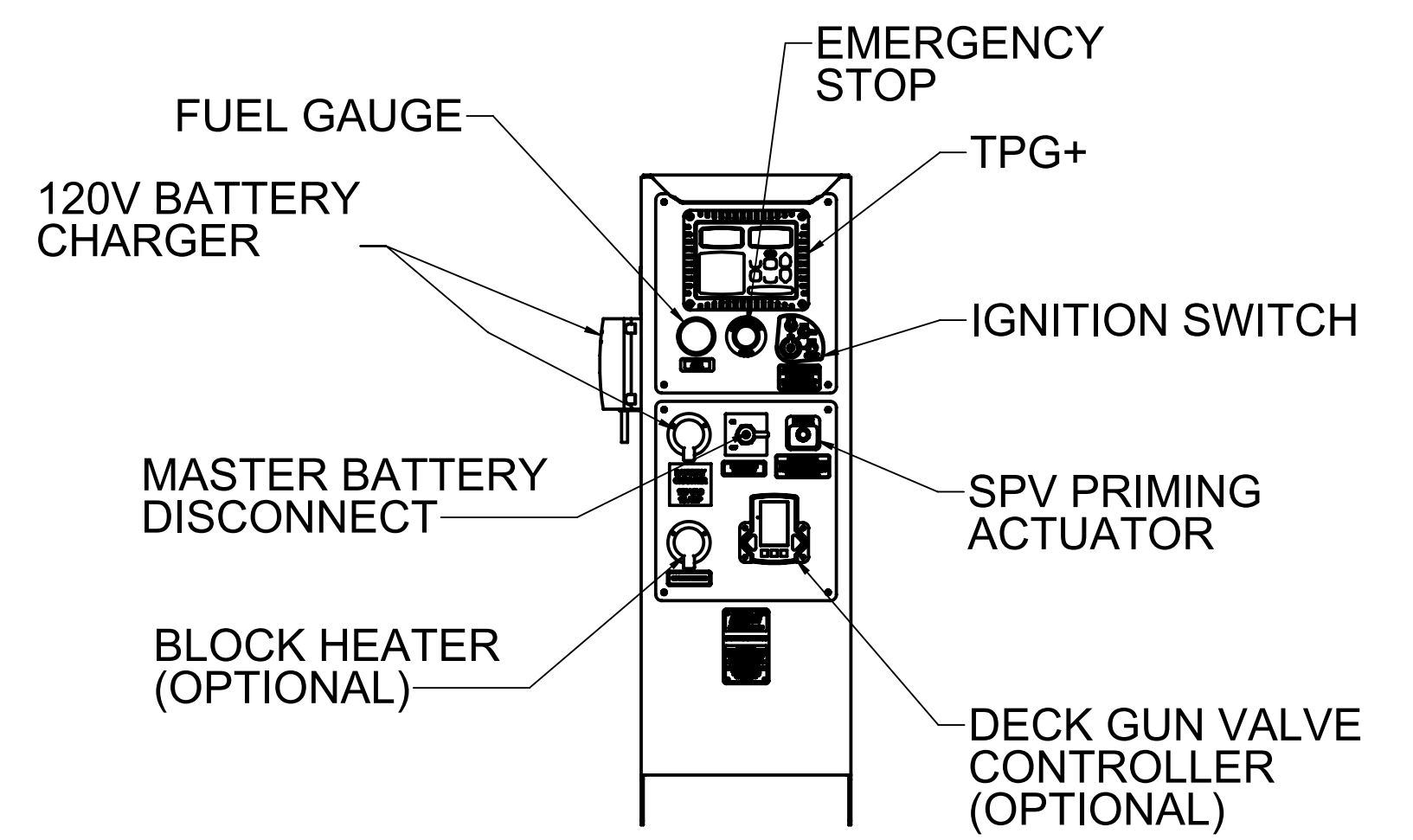
SUCTION
 (4) 6" NH CONNECTION



ENGINE ENCLOSURE (OPTIONAL)
 [FOR REFERENCE ONLY]



(4) LIFT EYES FOR
 STRAIGHT OVERHEAD
 LIFT



FUEL GAUGE

120V BATTERY
 CHARGER

MASTER BATTERY
 DISCONNECT

BLOCK HEATER
 (OPTIONAL)

EMERGENCY
 STOP

TPG+

IGNITION SWITCH

SPV PRIMING
 ACTUATOR

DECK GUN VALVE
 CONTROLLER
 (OPTIONAL)

UNLESS OTHERWISE SPECIFIED
 DIMENSIONS ARE IN MILLIMETERS
 [INCHES ARE FOR REFERENCE ONLY]
 TOLERANCE FOR MILLIMETER DIMENSIONS:
 X: ±1
 X.X: ±0.5
 X.XX: ±0.25
 X.XXX: ±0.125
 ANGLES: ±0.25°
 SURFACE TEXTURE IN µm Ra
 REMOVE ALL SHARP EDGES, 0.25MAX

FSG OF
DEX
 IDEX CORPORATION

HALE **GODIVA** **Class 1**

FP3000DJ-T

DRAWN JKL
 APPROVED KTN
 DATE 21AUG2015

SIZE **D**
 SCALE 1:15

DRAWING NUMBER
545-00118-000

REV **B**
 SHEET 1 OF 1

COPYRIGHT ©
 NOT TO BE REPRODUCED OR USED TO
 MAKE OTHER DRAWINGS OR MACHINERY

ECN	REV.	ZONE	REVISIONS	BY	DATE	APVD
-	A	-	CHANGED FROM ORIGINAL RELEASE	JKL	21AUG	KTN
3969	B	-	ENCLOSURE ADDED TO ALL VIEWS. UPDATED NOTES	JSZ	08MAR2017	RAK