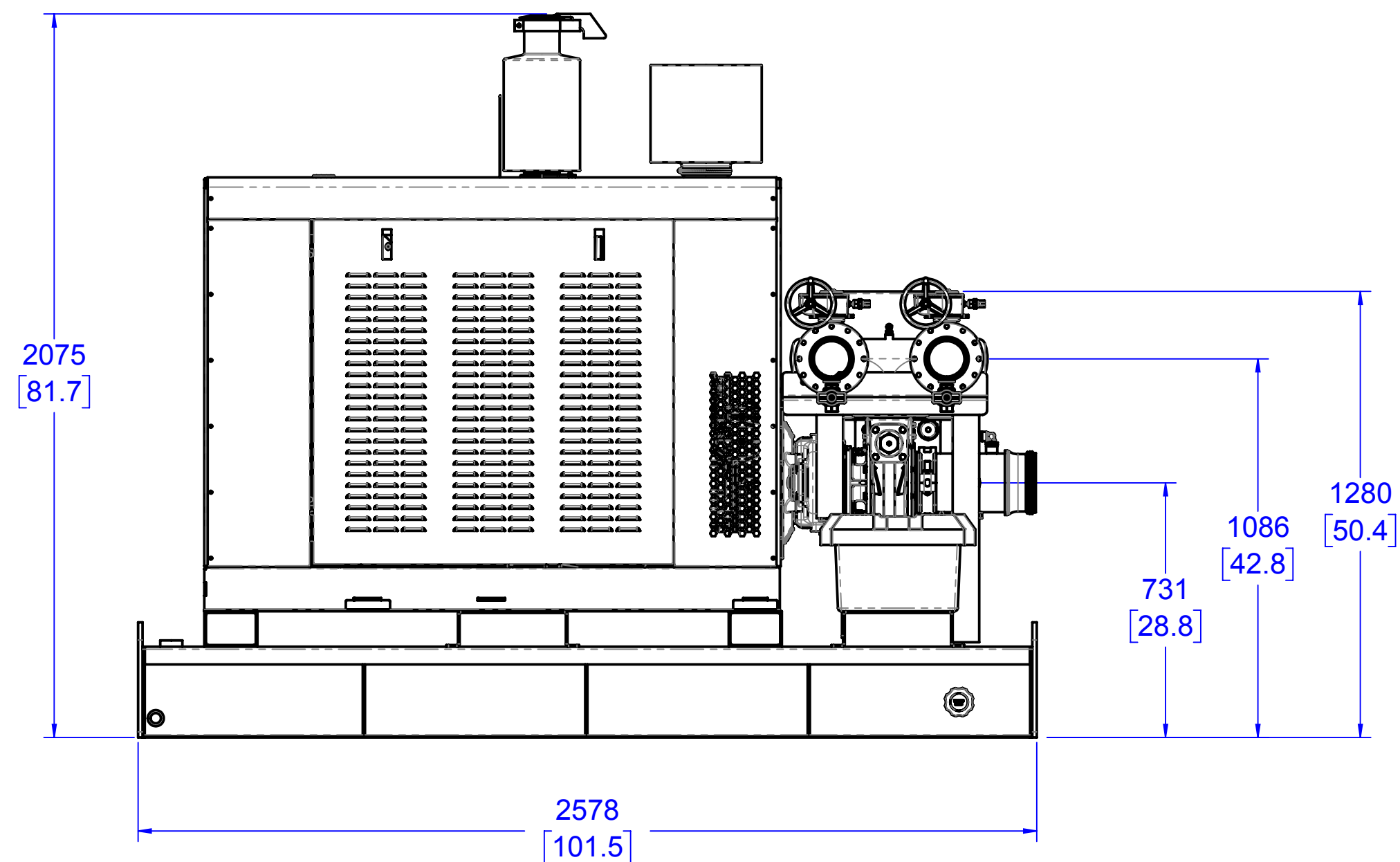


GENERAL NOTES:

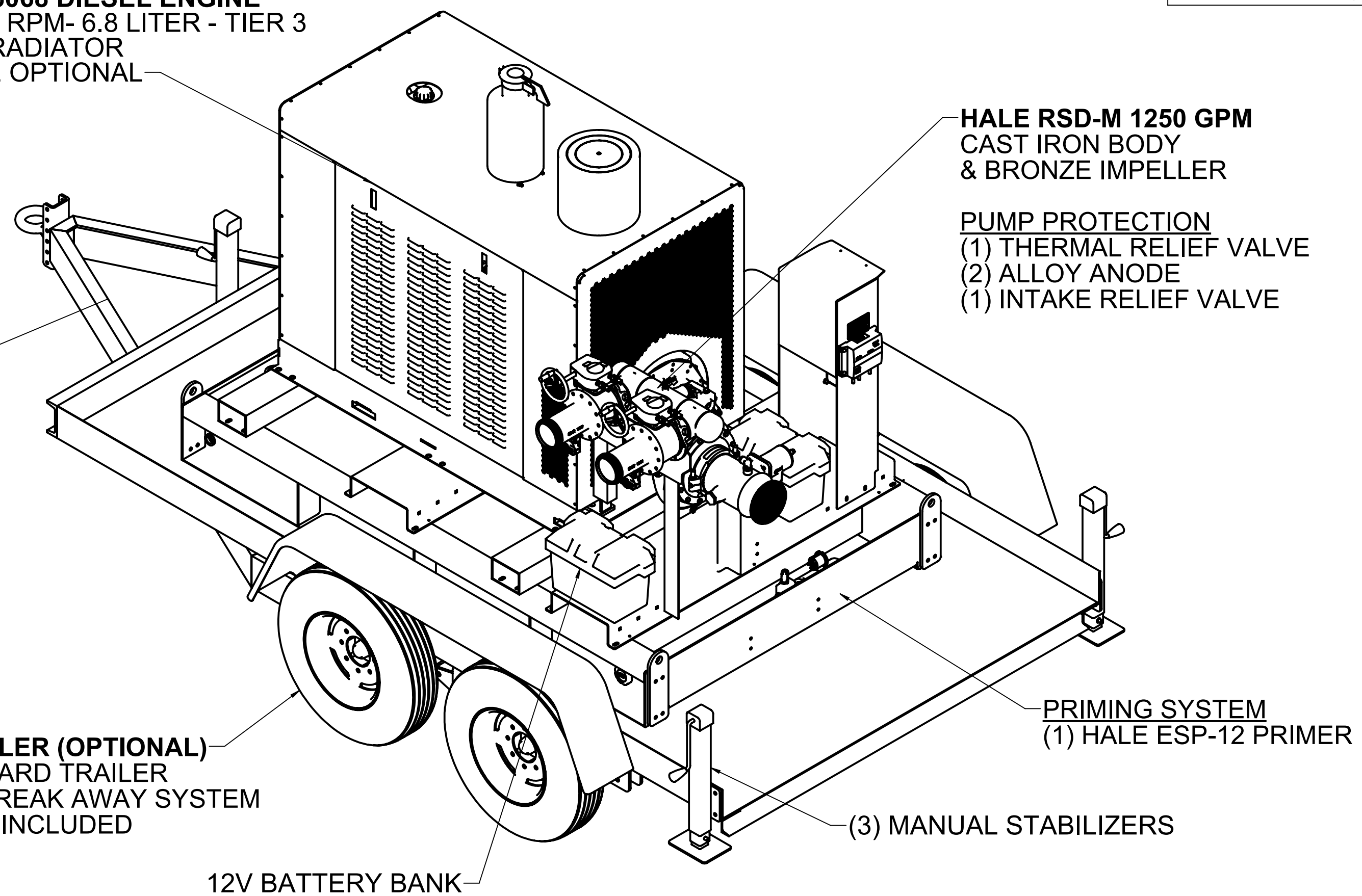
1. FUEL CAPACITY: 150 GALLONS
2. APPROXIMATE UNIT WEIGHT: 7500 LBS (WITH FUEL)

JOHN DEERE 6068 DIESEL ENGINE
 225 HP @ 2200 RPM- 6.8 LITER - TIER 3
 HEAVY DUTY RADIATOR
 IVECO ENGINE OPTIONAL

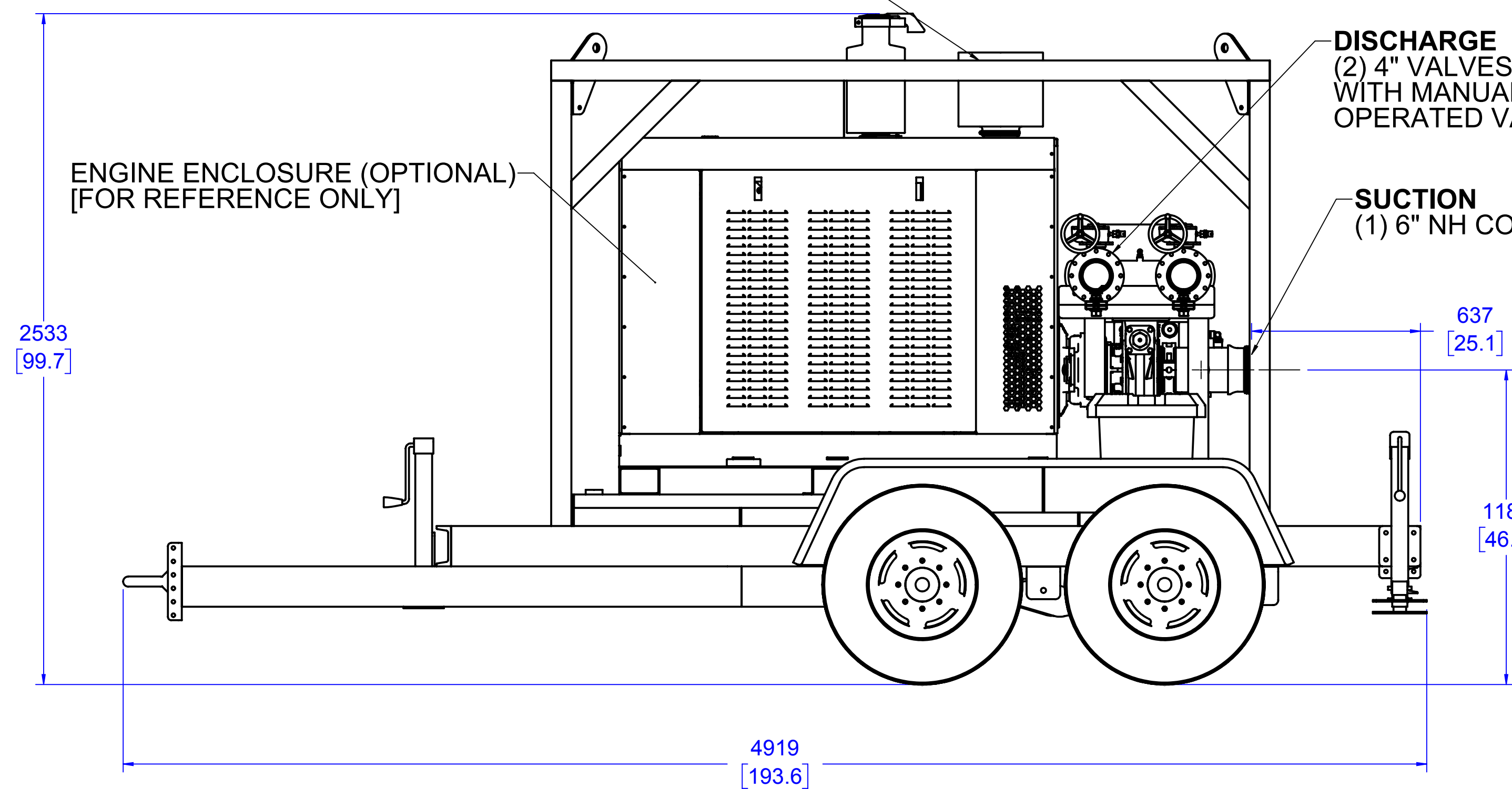
PROJECTION:



10,000 GVWR MIN TRAILER (OPTIONAL)
 SKID STEER STANDARD TRAILER
 ELECTRIC BRAKES WITH BREAK AWAY SYSTEM
 WHEEL CHOCKS INCLUDED

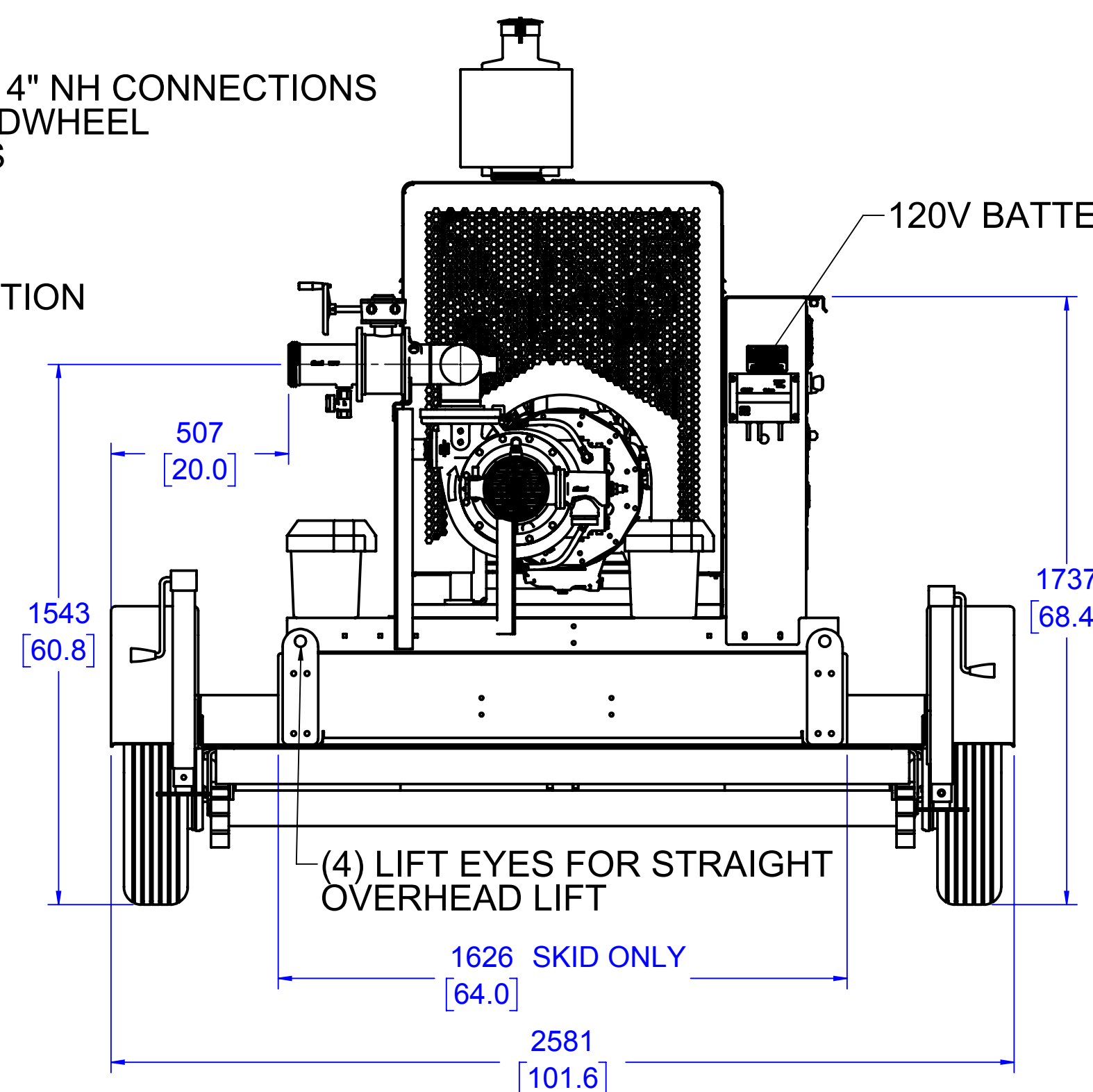


4-POINT LIFTING FRAME / EXOSKELETON (OPTIONAL)
 [FOR REFERENCE ONLY]

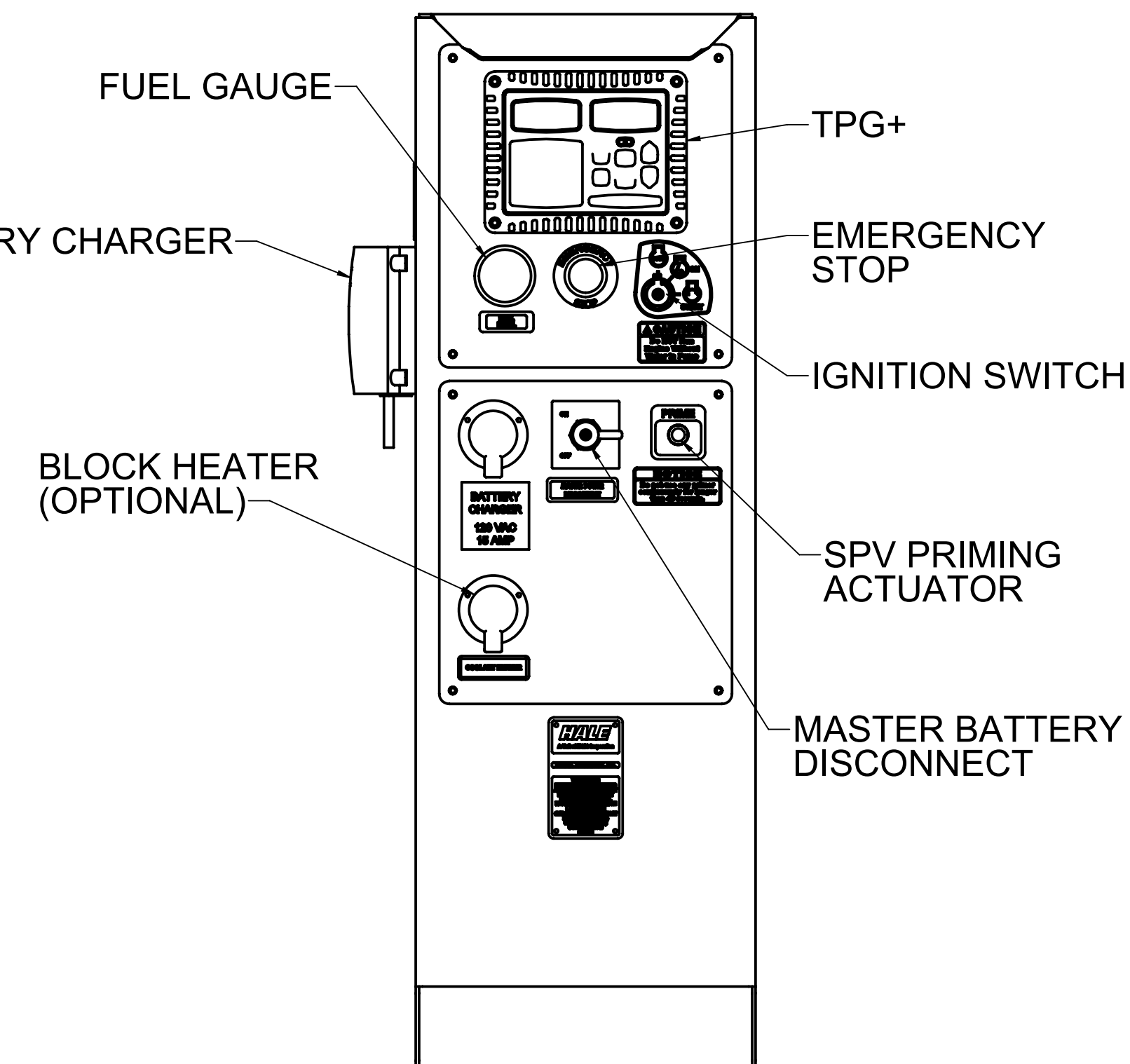


DISCHARGE
 (2) 4" VALVES WITH 4" NH CONNECTIONS
 WITH MANUAL HANDWHEEL
 OPERATED VALVES

SUCTION
 (1) 6" NH CONNECTION



(4) LIFT EYES FOR STRAIGHT
 OVERHEAD LIFT



UNLESS OTHERWISE SPECIFIED
 DIMENSIONS ARE IN MILLIMETERS
 [INCHES ARE FOR REFERENCE, ONLY]
 TOLERANCE FOR MILLIMETER DIMENSIONS:
 X: ±1
 X.X: ±0.5
 X.XX: ±0.25
 X.XXX: ±0.125
 ANGLES: ±0.25°
 SURFACE TEXTURE IN µm Ra
 REMOVE ALL SHARP EDGES, 0.25MAX

FSG OF DEX IDEX CORPORATION		HALE GODIVA Class 1	
MATERIAL	TITLE FP1250DJ-T		
MADE FROM	DRAWN JKL	SIZE D	DRAWING NUMBER 545-00122-000
FINISH	APPROVED KTN	SCALE 1:15	REV B
PROJECT	DATE 08/24/2015	SHEET 1 OF 1	

ECN	REV.	ZONE	REVISIONS	BY	DATE	APVD
	A		CHANGED FROM ORIGINAL RELEASE	JKL	24AUG2015	KTN
3969	B		ENCLOSURE ADDED TO ALL VIEWS, UPDATED NOTES	JSZ	15FEB2017	RAK