

JOHN DEERE 6068 DIESEL ENGINE
 200 HP @ 2400 RPM- 6.8 LITER - TIER 3
 HEAVY DUTY RADIATOR
 IVECO ENGINE OPTIONAL

HALE RSD-M 1000 GPM
 CAST IRON BODY
 & BRONZE IMPELLER

PUMP PROTECTION
 (1) THERMAL RELIEF VALVE
 (2) ALLOY ANODE
 (1) INTAKE RELIEF VALVE

INTEGRATED
 CHAIN BOX

10,000 GVWR MIN TRAILER (OPTIONAL)
 ELECTRIC BRAKES WITH BREAK AWAY SYSTEM
 WHEEL CHOCKS INCLUDED

PRIMING SYSTEM
 (1) HALE ESP-12 PRIMER

12V BATTERY BANK

(3) MANUAL STABILIZERS

4-POINT LIFTING FRAME / EXOSKELETON (OPTIONAL)
 [FOR REFERENCE ONLY]

DISCHARGE
 (1) 3" VALVES WITH 3" NH CONNECTION
 (1) 4" VALVES WITH 4" NH CONNECTION
 WITH MANUAL HANDWHEEL
 OPERATED VALVES

ENGINE ENCLOSURE (OPTIONAL)
 [FOR REFERENCE ONLY]

SUCTION
 (1) 6" NH CONNECTION

FUEL GAUGE

120V BATTERY CHARGER

TPG+

EMERGENCY
 STOP

IGNITION SWITCH

BLOCK HEATER
 (OPTIONAL)

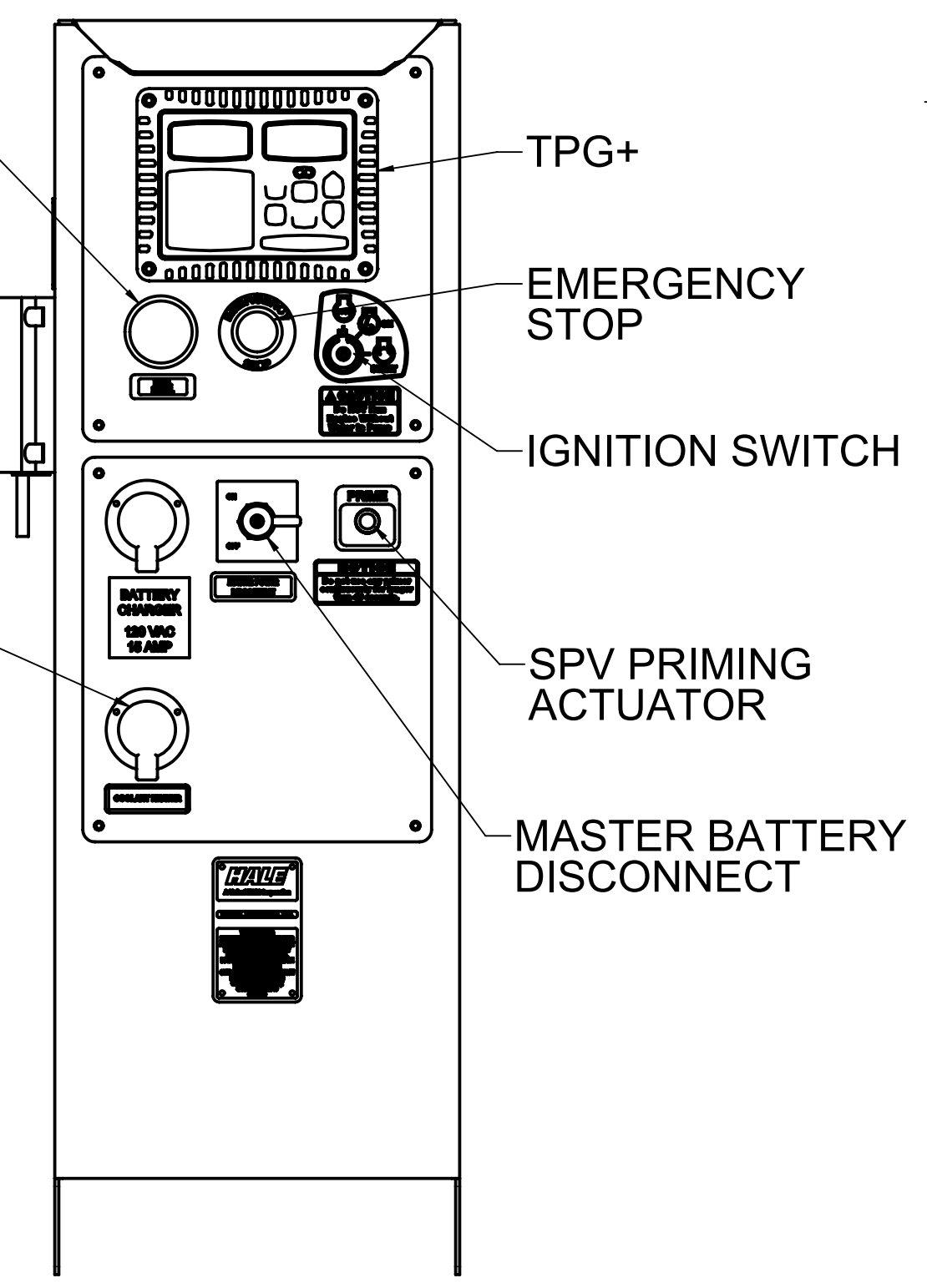
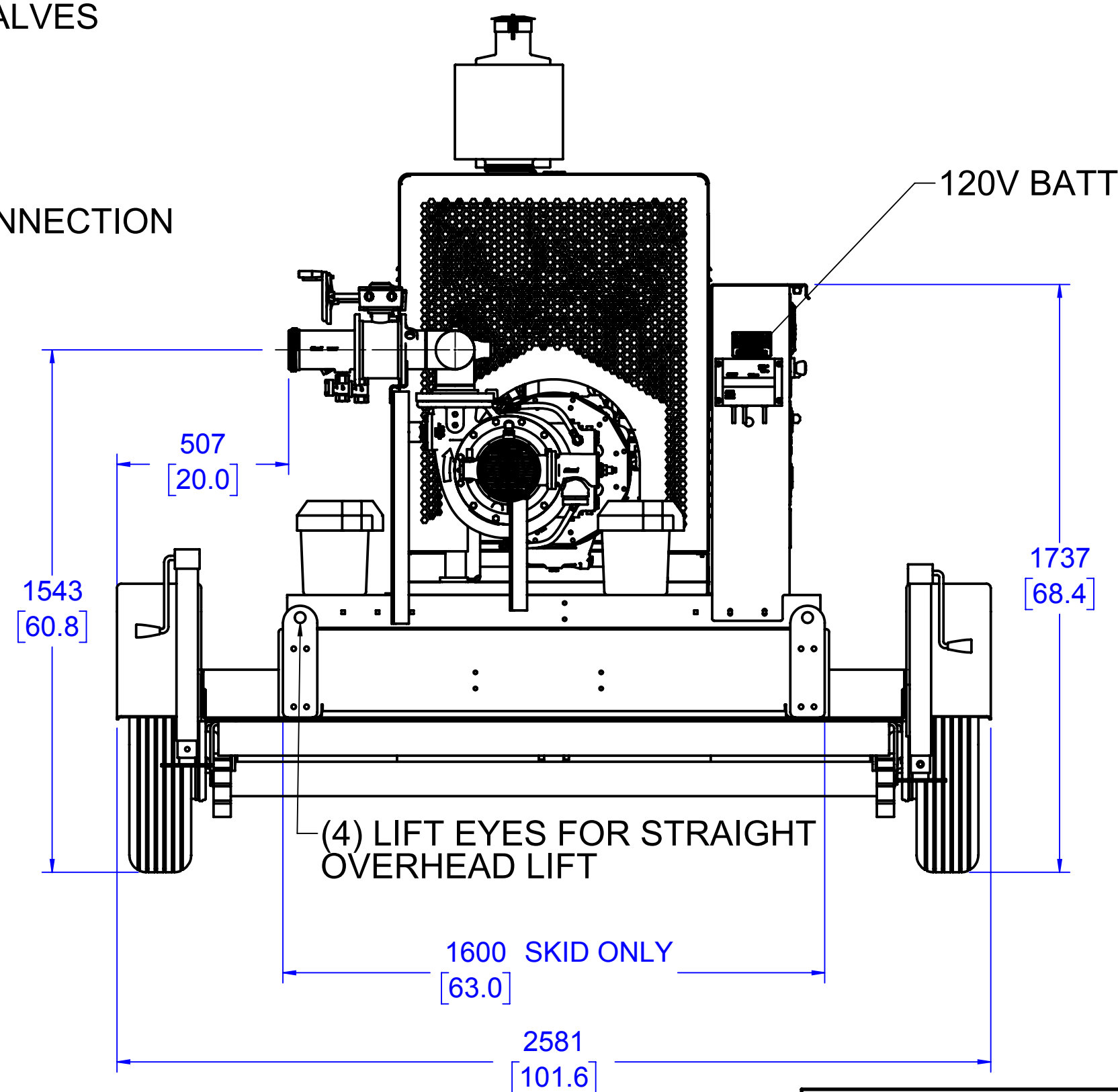
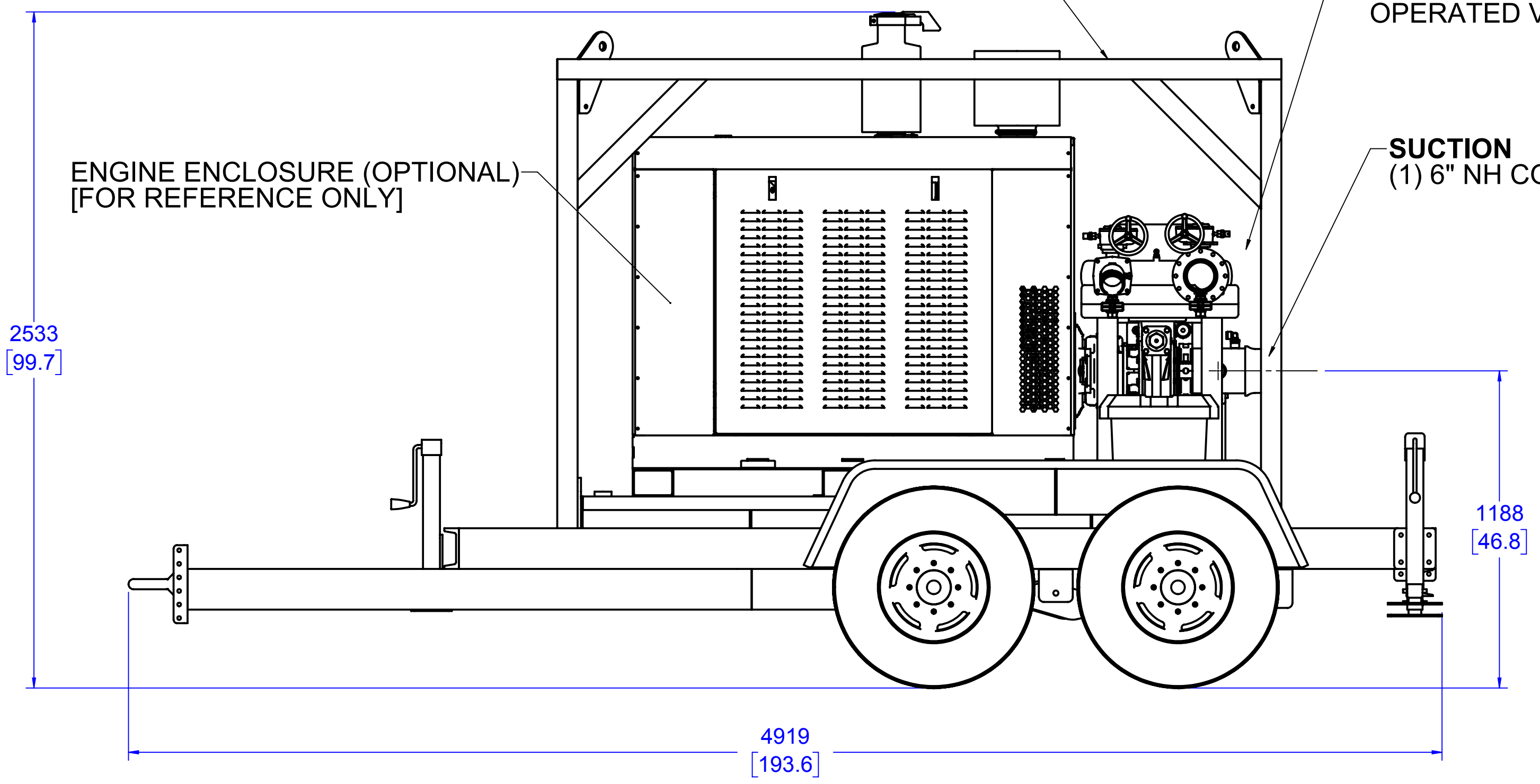
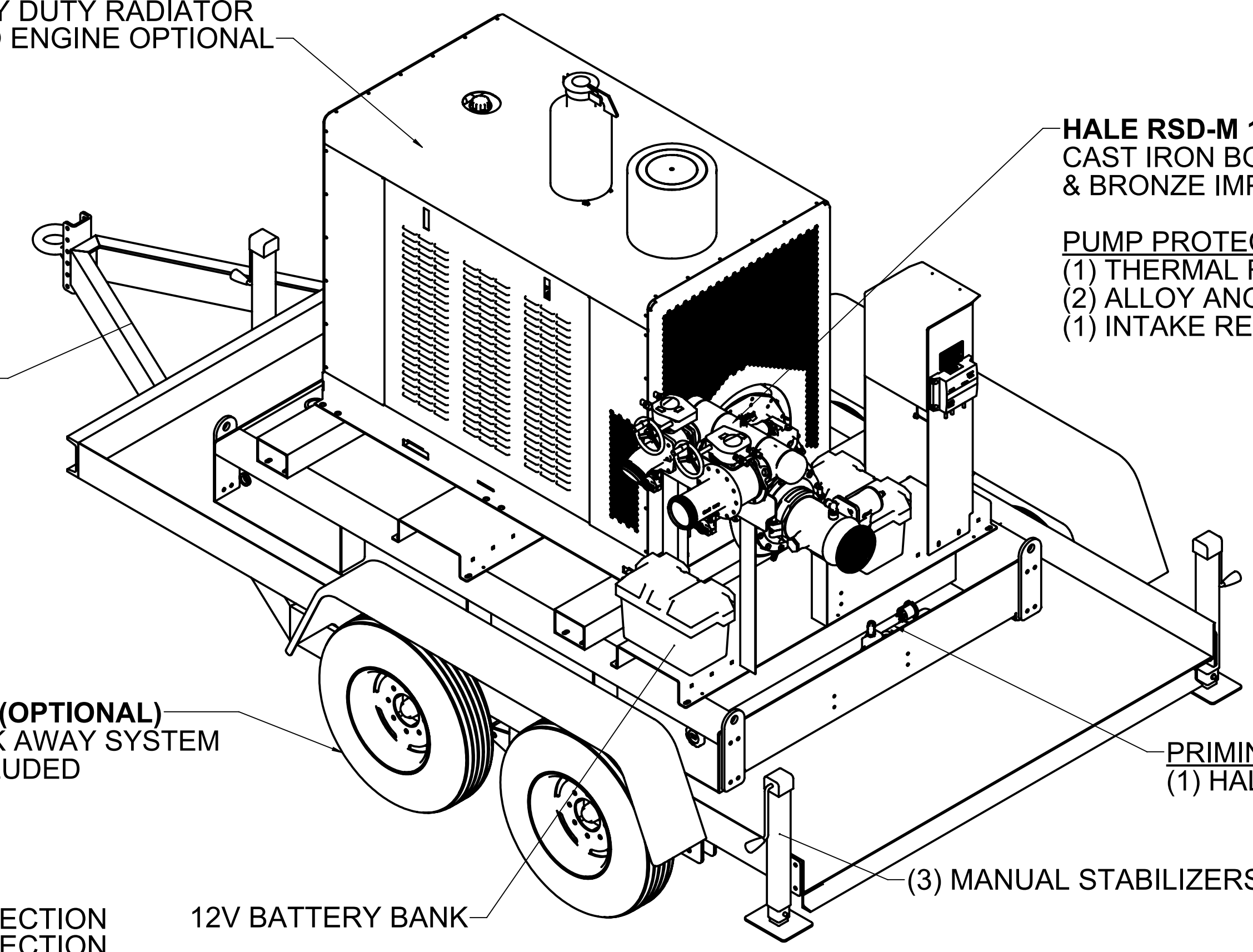
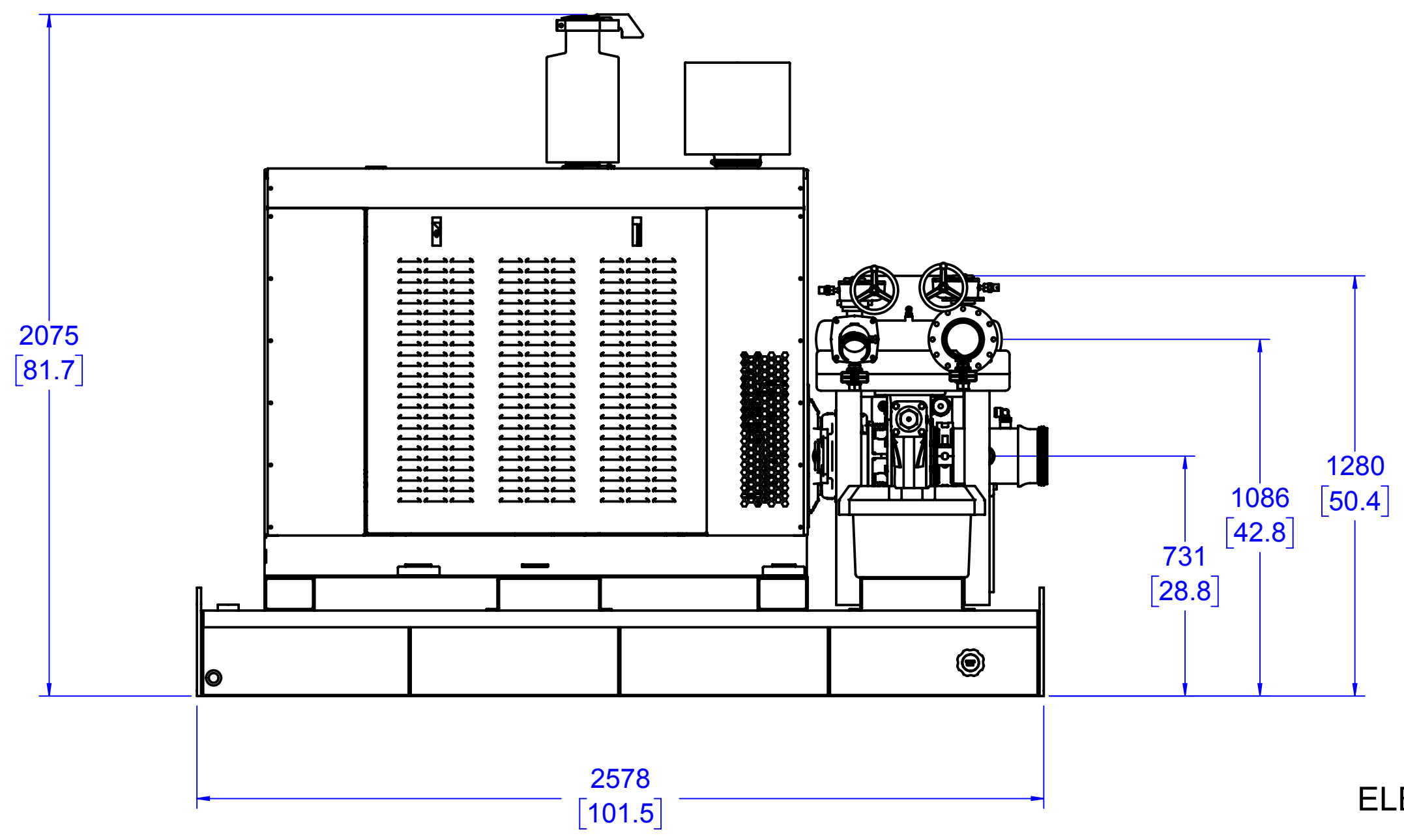
SPV PRIMING
 ACTUATOR

MASTER BATTERY
 DISCONNECT

(4) LIFT EYES FOR STRAIGHT
 OVERHEAD LIFT

1600 SKID ONLY
 [63.0]

2581
 [101.6]



GENERAL NOTES:
 1. FUEL CAPACITY: 150 GALLONS
 2. APPROXIMATE UNIT WEIGHT: 7500 LBS (WITH FUEL)

UNLESS OTHERWISE SPECIFIED
 DIMENSIONS ARE IN MILLIMETERS
 [INCHES ARE FOR REFERENCE, ONLY]
 TOLERANCE FOR MILLIMETER DIMENSIONS:
 X: ±1
 X.X: ±0.5
 X.XX: ±0.25
 X.XXX: ±0.125
 ANGLES: ±0.25°
 SURFACE TEXTURE IN µm Ra
 REMOVE ALL SHARP EDGES, 0.25MAX

COPYRIGHT ©
 NOT TO BE REPRODUCED OR USED TO
 MAKE OTHER DRAWINGS OR MACHINERY

FSG OF DEX IDEX CORPORATION		HALE GODIVA Class 1	
MATERIAL	TITLE FP1000		
MADE FROM	FINISH	PROJECT	DATE
DRAWN JKL		APPROVED KTN	DATE 08/24/2015
SIZE D		DRAWING NUMBER 545-00121-000	
SCALE 1:15		REV B SHEET 1 OF 1	

REVISIONS					
ECN	REV.	ZONE	CHANGED FROM	BY	DATE
	A		ORIGINAL RELEASE	JKL	24AUG2015
3969	B		ENCLOSURE ADDED TO ALL VIEWS, UPDATED NOTES	JS2	24FEB2017
			APVD		
			KTN		
			RAK		