

# DeckMaster Order Form



## Select Voltage:

Select One

<input type="checkbox"/>	12 Volt
<input type="checkbox"/>	24 Volt

## Select Inlet/Outlet:

<input checked="" type="checkbox"/>	3" flange x 2.5" NH
-------------------------------------	---------------------

## Select Paint:

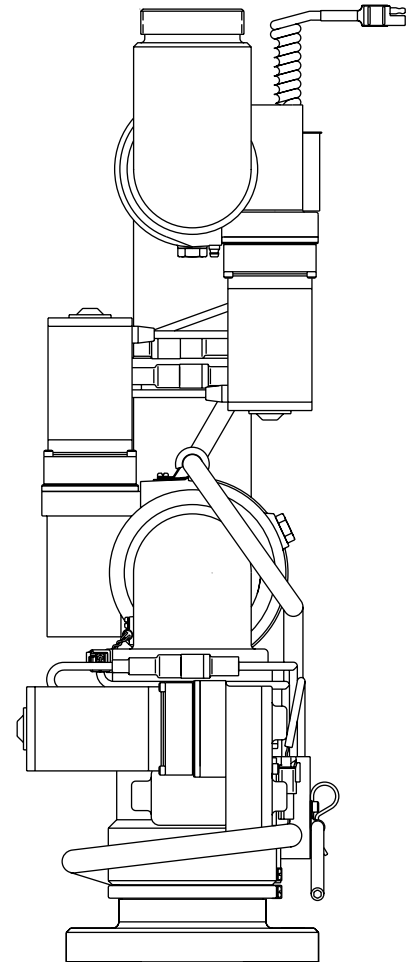
Select One

<input type="checkbox"/>	Red (standard)
<input type="checkbox"/>	White (optional)
<input type="checkbox"/>	Black (optional)
<input type="checkbox"/>	Lime Yellow (optional)
<input type="checkbox"/>	Silver (optional)
<input type="checkbox"/>	No Paint

## Select Nozzle: (specify thread if other than NH)

Select One

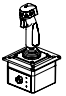
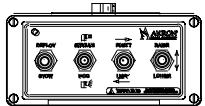

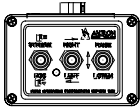

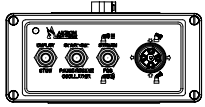

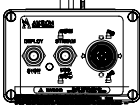
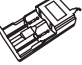
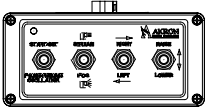
<input type="checkbox"/>	No Nozzle
<input type="checkbox"/>	5177 Akromatic 1250gpm (4800lpm) Optional Style 737 foam tube
<input type="checkbox"/>	5075 Akromatic 1250gpm with flat disperse (4800lpm)
<input type="checkbox"/>	1578 Sabermaster 1250gpm(4800lpm) fog with 2" smooth bore
<input type="checkbox"/>	1578 Sabermaster 600 (2300 LPM) Fog with 1.5" smoth bore
<input type="checkbox"/>	1578 Sabermaster 500 (1900 LPM) Fog with 1.375" smoth bore
<input type="checkbox"/>	4040 Akro-Chem 250-1250gpm (950-4800lpm) water/foam & dry chemical nozzle
<input type="checkbox"/>	3626 1000gpm (3800lpm) Master Stream Foam Tube
<input type="checkbox"/>	3626 800gpm (3030lpm) Master Stream Foam Tube
<input type="checkbox"/>	3623 375/750gpm (1425-2850lpm) Master Stream Foam Tube
<input type="checkbox"/>	3623 260/520gpm (1000-2000lpm) Master Stream Foam Tube
<input type="checkbox"/>	2499 Quad Stack Tip Set (requires 3488 or 3485 shaper)
<input type="checkbox"/>	3485 2.5" x 2.5" mini shaper, 4" long
<input type="checkbox"/>	3488 2.5" x 2.5" standard shaper 11.5" long
<input type="checkbox"/>	No Shaper



# DeckMaster Order Form



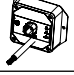
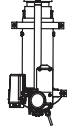


## Select Control Options:

Quantity				Quantity			
60350009		Standard CAN Proportional Joystick		60410008		CAN 4 Toggle Stow/Deploy, Up/Down, Right/Left, & Fog/Stream	
60350012		ARFF CAN Joystick (Provides Stow/Deploy, Oscillation, High/Low Flow, and Dry Chemical)		60410023		CAN 3 Toggle Up/Down, Right/Left, & Fog/Stream	
60412002		CAN Tether with Mini Joystick Stow/Deploy, Osc, Fog/Stream, & Valve" with Panel Connector		60411000		CAN 3 Toggle Stow/Deploy, Fog/Stream, Osc, & Mini Joystick (lft/rt/up/down)	
60470002 60370018		Handheld Wireless Controller Left/Right, Up/Down, Fog/Stream, Stow/Deploy, Oscillate & Valve Wireless Receiver		60411003		CAN 2 Toggle Stow/Deploy, Fog/Stream, & Mini Joystick (lft/rt/up/down)	
60470010		Wireless Controller Battery Charger		60410034		CAN 4 Toggle Oscillation, Up/Down, Right/Left, & Fog/Stream	

## Select Options:

Select Any

Positon Feedback		Enables remote position indication	-
60360002		Positon indicator; Portrait CAN Position Indicator. Displays monitor position in vehicle cab.	
60360003		Positon indicator; Landscape CAN Position Indicator. Displays monitor position in vehicle cab.	
60410035		"OEM Interface Module Enable use of standard switch inputs"	
3406		Electric Riser. Provides 12" of vertical extension to the monitor. Extend/Retract sequence automatically integrated to Stow/Deploy sequence of the monitor.	

Send PO & completed order guide to [akroncare@idexcorp.com](mailto:akroncare@idexcorp.com) or call 800.228.1161

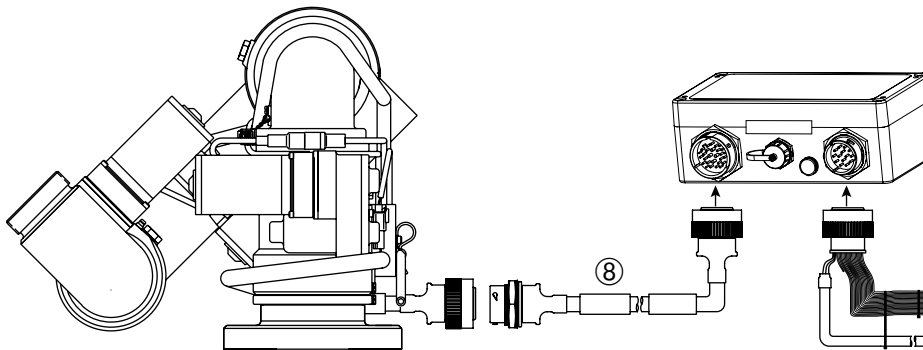
# DeckMaster Order Form



## Cable Assemblies:

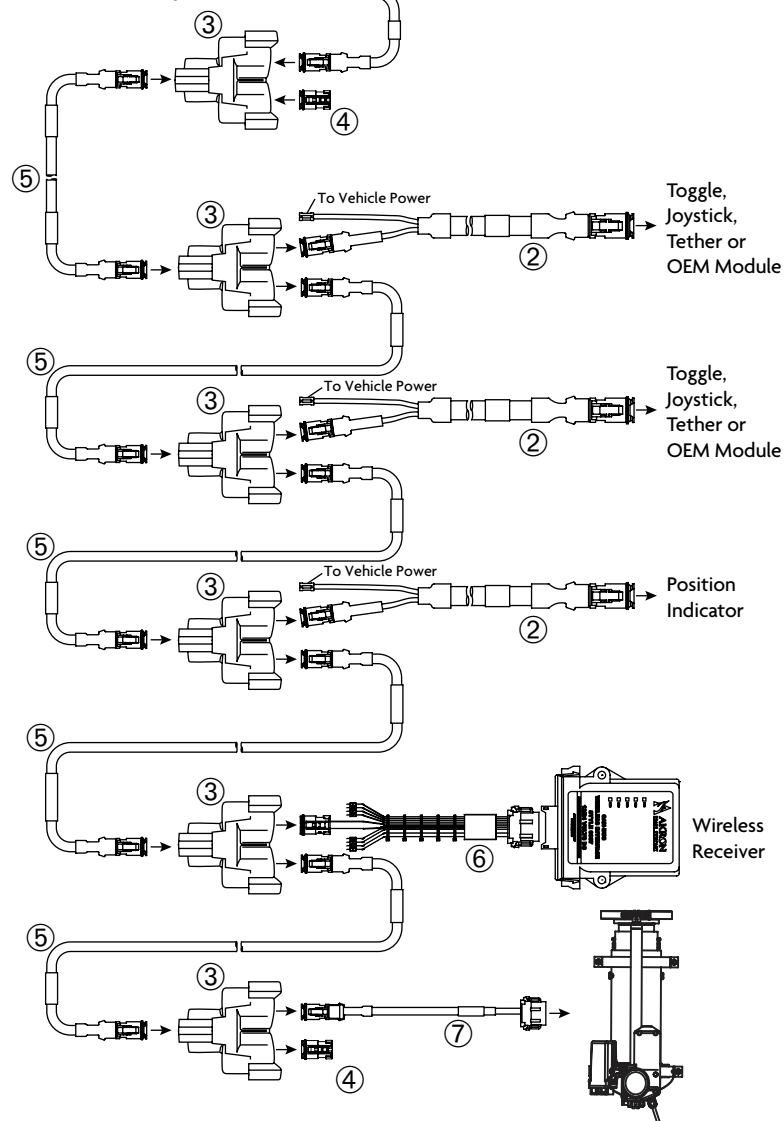
Akron Brass offers pre-engineered cable assemblies to quicken the installation process.

**These are optional items.** Refer to the example system diagram below to identify which cable assemblies you require, then indicate the quantity next to the corresponding part number in the list below.



## CAN Network Wiring Assemblies

Quantity	Part #	Description
①	721582	U2, J1 interface harness. Provides connection between U2 and CAN network and leads for optional inputs and outputs. One needed per system. 3ft. (1m)
②	721579	CAN device stub harness with power and ground leads 3ft. (1m)
③	758306	CAN network Tee. Provides connection between device stubs and network extension cables. (1 per device including Logic Box)
④	742205	CAN network terminator plugs. Two required per system (one at each end of network).
⑤	Part #	CAN network extension cables used between device tees
	721572	3ft. (1m)
	721573	5ft. (1.5m)
	721574	10ft. (3m)
	721570	20ft. (6m)
	721575	40ft. (12m)
⑥	721580	CAN Wireless module stub harness, one per module.
⑦	721594	Electric Riser controller stub harness
⑧	721592	Optional monitor harness extension. Maximum two per system 8ft. (2.5m) each, for total length of 24ft. (7.5m)



Send PO & completed order guide to [akroncare@idexcorp.com](mailto:akroncare@idexcorp.com) or call 800.228.1161