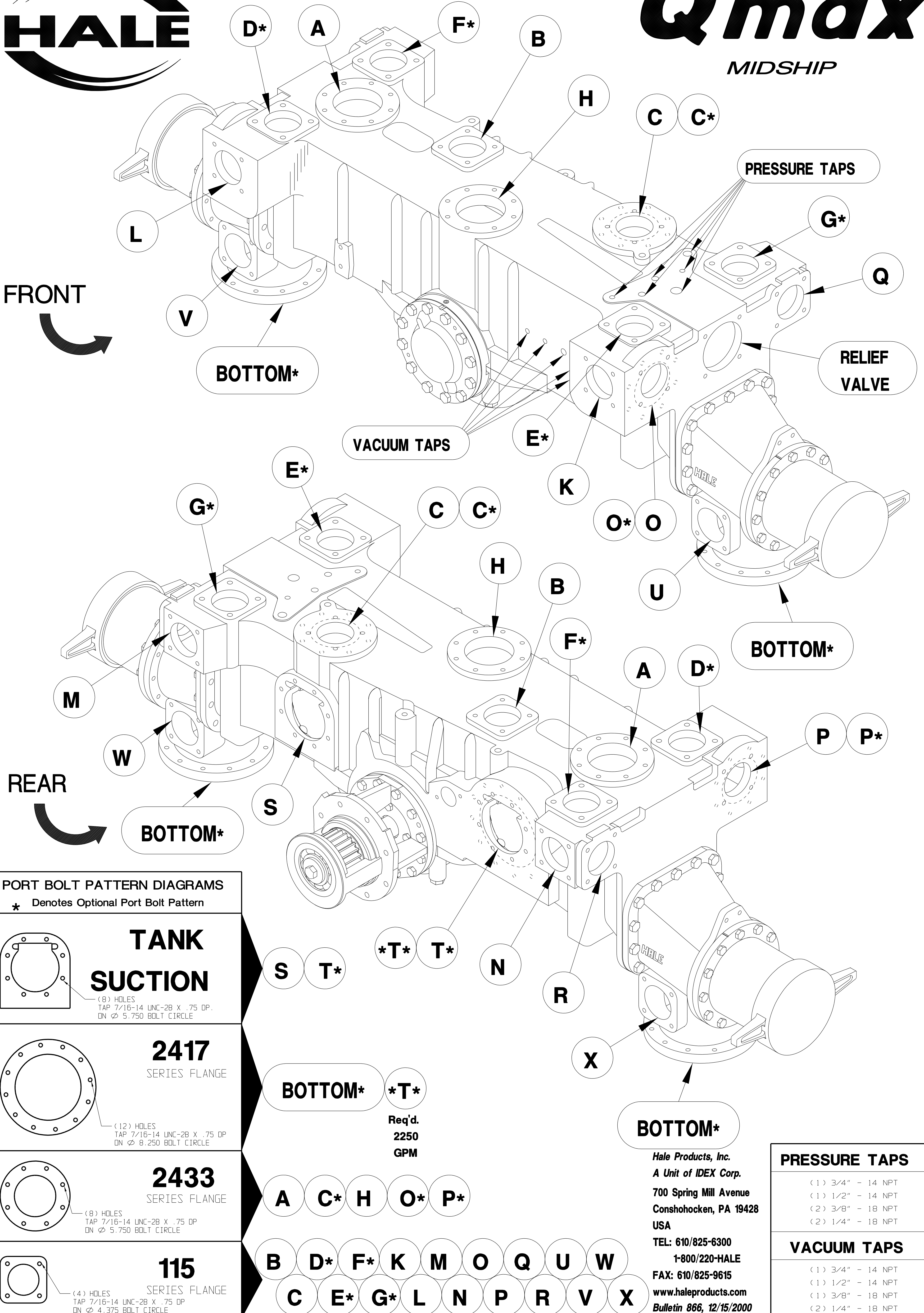




# PORT DIAGRAMS

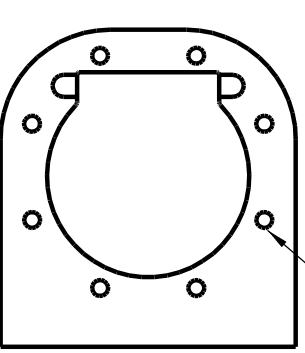
# Qmax

MIDSHIP



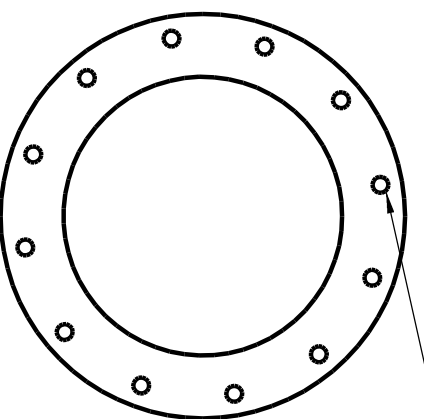
### PORT BOLT PATTERN DIAGRAMS

\* Denotes Optional Port Bolt Pattern



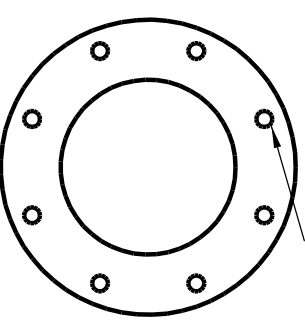
**TANK SUCTION**

(8) HOLES  
TAP 7/16-14 UNC-2B X .75 DP.  
DN Ø 5.750 BOLT CIRCLE



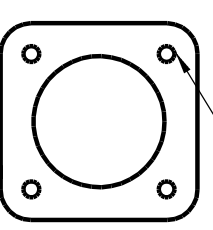
**2417**  
SERIES FLANGE

(12) HOLES  
TAP 7/16-14 UNC-2B X .75 DP.  
DN Ø 8.250 BOLT CIRCLE



**2433**  
SERIES FLANGE

(8) HOLES  
TAP 7/16-14 UNC-2B X .75 DP.  
DN Ø 5.750 BOLT CIRCLE



**115**  
SERIES FLANGE

(4) HOLES  
TAP 7/16-14 UNC-2B X .75 DP.  
DN Ø 4.375 BOLT CIRCLE

S T\*

\*T\* T\*

N

BOTTOM\*

\*T\*  
Req'd.  
2250  
GPM

A C\* H O\* P\*

B D\* F\* K M O Q U W

C E\* G\* L N P R V X

BOTTOM\*

Hale Products, Inc.  
A Unit of IDEX Corp.  
700 Spring Mill Avenue  
Conshohocken, PA 19428  
USA  
TEL: 610/825-6300  
1-800/220-HALE  
FAX: 610/825-9615  
www.haleproducts.com  
Bulletin 866, 12/15/2000

### PRESSURE TAPS

- (1) 3/4" - 14 NPT
- (1) 1/2" - 14 NPT
- (2) 3/8" - 18 NPT
- (2) 1/4" - 18 NPT

### VACUUM TAPS

- (1) 3/4" - 14 NPT
- (1) 1/2" - 14 NPT
- (1) 3/8" - 18 NPT
- (2) 1/4" - 18 NPT