



AIR ACTUATOR OPERATING AND INSTALLATION INSTRUCTIONS & PARTS LIST

OPERATING INSTRUCTIONS

The Air Actuator has two air flow control valves (Item 8). These valves are preset to avoid opening or closing the valve too quickly and should not require adjustment. If adjustment is required, use a slotted screw driver to turn the adjustment screw on the control valves in to slow down the travel or turn the screw out to speed up the travel.

The actuator has two travel adjustment plugs. These plugs are also preset and should not require adjustment. If adjustment is required, loosen the Lock Nut and turn the Hex Head Screw in to shorten travel and out to increase travel.

INSTALLATION INSTRUCTIONS

1. Install the valve.
2. Connect the two air lines from your solenoid control valve to the actuator. One line connects to each of the two flow control valves with a $\frac{1}{4}$ " NPT thread. Air lines and air connections **MUST BE LEAK-PROOF** to maintain the preset valve opening and closing times.
3. Operate the air control to ensure the valve opens and closes. Next, install air pressure gauges on lines leading to the valve. A minimum of 80 PSI air pressure must be available to activate the valve in either direction. Back pressure of the air exiting the actuator must not be greater than 10 PSI.

Required Air Pressure - 80-120 PSI

Max Air Pressure - 120 PSI

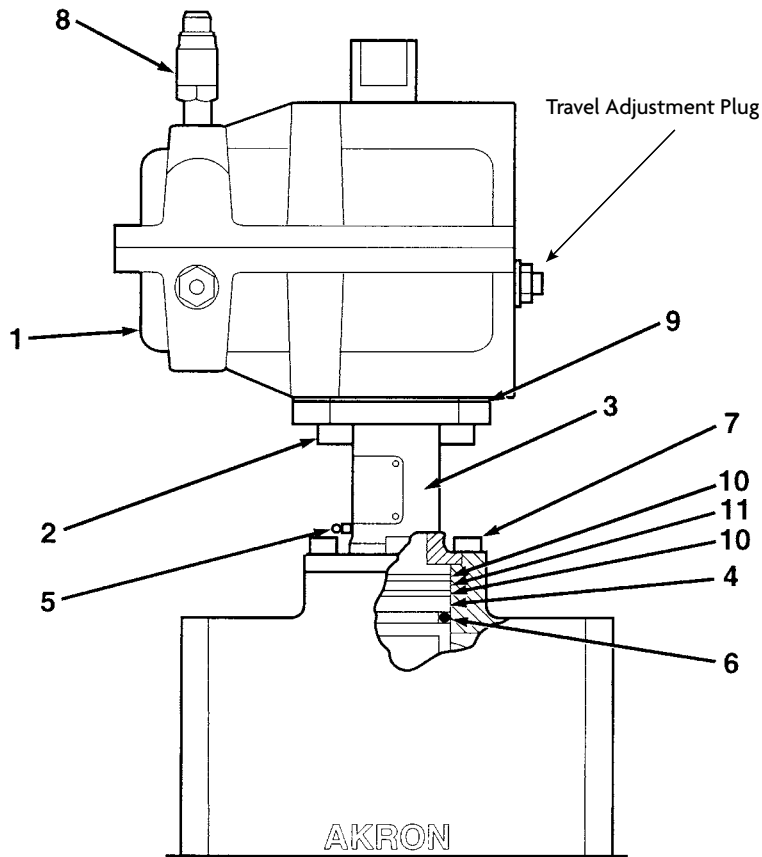
Max Water Flow - 2000 GPM at 80 PSI

Max Water Pressure - 300 PSI

Minimum Operating Temperature - minus 10 degrees F

DO NOT THROTTLE

See back for Parts List



ITEM NO.	DESCRIPTION	PART NUMBER	QUANTITY
1	Air Actuator	702051	1
2	Hex Head Cap Screw	765094	3
3	Mounting Bracket	107244	1
4	Trunnion	106706	1
5	Grease Fitting	713034	1
6	O-Ring	757006	1
7	Hex Head Cap Screw	763028	4
8	Air Control Valve	779052	2
9	O-Ring	757315	1
10	Thrust Washer	784115	2
11	Bearing	703466	1
12	Elbow	710041	2
13	Warning Tag	773192	1
14	Nails	736045	4
-	Air Actuator Seal Kit	78400196	1



Tested.. Proven.. Trusted.

ISO 9001 REGISTERED COMPANY

PHONE: 330.264.5678 or 800.228.1161 | FAX: 330.264.2944 or 800.531.7335 | akronbrass.com

REVISED: 7/11

WARRANTY AND DISCLAIMER: We warrant Akron Brass products for a period of five (5) years after purchase against defects in materials or workmanship. Akron Brass will repair or replace product which fails to satisfy this warranty. Repair or replacement shall be at the discretion of Akron Brass. Products must be promptly returned to Akron Brass for warranty service.

We will not be responsible for: wear and tear; any improper installation, use, maintenance or storage; negligence of the owner or user; repair or modification after delivery; damage; failure to follow our instructions or recommendations; or anything else beyond our control. WE MAKE NO WARRANTIES, EXPRESS OR IMPLIED, OTHER THAN THOSE INCLUDED IN THIS WARRANTY STATEMENT, AND WE DISCLAIM ANY IMPLIED WARRANTY OF MERCHANTABILITY OR FITNESS FOR ANY PARTICULAR PURPOSE. Further, we will not be responsible for any consequential, incidental or indirect damages (including, but not limited to, any loss of profits) from any cause whatsoever. No person has authority to change this warranty.

© Akron Brass Company. 2011 All rights reserved. No portion of this can be reproduced without the express written consent of Akron Brass Company.