



STYLE 7675 SLO-CLOZ™
FOR USE ON NON-LOCKING VALVES WITH SZ OR R-1 HANDLES
INSTALLATION AND ADJUSTMENT INSTRUCTIONS

This unit is designed to be installed on 3" and 3 1/2" Akron Swing-Out™ Valves with either an SZ Twist Locking Handle (Series 7600 or 8600 Valves) or an R-1 Remote Handle (Series 7600).

It is not intended for installation on Akron Style 7800 Series Valves with Tork-Lok®, 8800 Series self-locking Valves or any non Akron Valve.

This unit is also not intended for Akron Valves with a Rack and Sector Actuator.

Note: the Slo-Cloz mechanism will add approximately 2" in height to the valve. Be sure there is enough clearance to allow the unit to be installed.

Identify the type of Valve Handle before beginning installation.

SZ Twist Handle: Slo-Cloz (p/n 7675-0001)

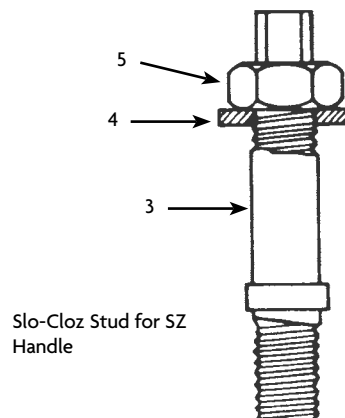
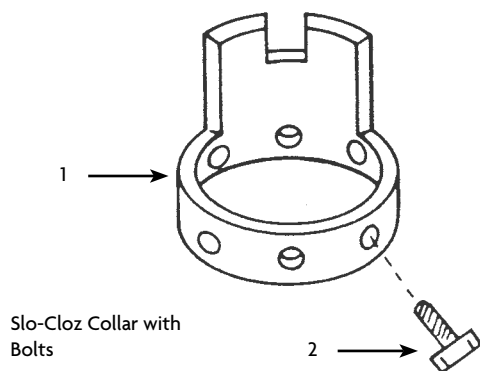
Note: For this unit to fit, the SZ Handle Hub must have 2 holes (⁵/₃₂"), one on either side of the bolt.

R-1 Remote Handle: Slo-Cloz (p/n 7675-0002)

Note: For this unit to work, the Stops built into the Body must be machined with a hole in the side of the machined surface.

INSTALLATION - Valves with the SZ Handle

1. Place the Valve in the 1/2 open position. Note the position of the Handle.
2. Remove and discard the Bolt holding the Handle on the Valve.
3. Remove the Handle assembly.
4. Place the Collar (#1) on the Valve and align it so the notch in the boss of the Collar is opposite the Handle and aligns with the Center on the Handle.
5. Replace the Handle assembly.



6. Align the closest set of bolt holes in the collar with the 2 holes on either side of the Valve Body. Attach the collar to the Valve using the 2 Hex Head Bolts (#2) provided.
7. Apply low strength thread locking liquid (Loctite 222 or PermaBond LM 113) to the threaded end of the Stud (#3). Insert the threaded end of the stud through the Handle and screw in by hand. Do not tighten. Unlock the handle to the fully recessed position. Turn the Handle clockwise 1 1/2" turns. Tighten the Stud so it is snug but do not over tighten.
8. Fully lock and unlock the Handle to check for proper operation.
9. With the Valve in the 1/2 open position, place the Slo-Cloz on the Stud so the lug on the Slo-Cloz mates with the notch on the collar boss. Turn the handle until the 2 pins on the bottom of the Slo-Cloz drop into the 2 holes on the Valve Handle.
10. Install the Washer (#4) and Nut (#5) on the Stud to secure the Slo-Cloz and tighten. Check to be sure the Stud does not tighten into the Trunnion. Note the Stop Plate contacts the Stops on the Valve Body.
11. Operate the Valve fully to insure proper operation. The Valve should not go from full open to full close in less than 3 seconds. If adjustments are necessary, see the Adjustment instructions.

INSTALLATION-Valves with the R-1 Handle

1. Place the Valve in the 1/2 open position. Note the position of the Handle.
2. Remove and discard the Bolt and Washer holding the Handle on the Valve.
3. Remove the Handle.
4. Place the Collar (#1) on the Valve and align it so the notch in the boss of the Collar is opposite the Handle and aligns with the Center on the Handle.
5. Replace the Handle assembly.
6. Align the closest set of bolt holes in the collar with the 2 holes on either side of the Valve Body. Attach the collar to the Valve using the 2 Hex Head Bolts (#2) provided.
7. Place the Slo-Cloz on the Valve Handle so the lug on the Slo-Cloz mates with the notch on the collar boss. Ensure the 4 pins fit into the star pattern of the Handle with the Bleed Screw (#6) within 45° either side of the handle. The bottom of the Slo-Cloz should be flush with the top of the handle.
8. Install the new Washer and longer bolt through the Slo-Cloz and Handle and tighten.
9. Operate the Valve fully to insure proper operation. The Valve should not go from full open to full close in less than 3 seconds. If adjustments are necessary, see the Adjustment instructions.

ADJUSTMENT INSTRUCTIONS

The Slo-Cloz device is designed to retard the speed on manual valves. Each Slo-Cloz is factory set to go from full open to full close in no less than 5 seconds and no more than 12 seconds. It is not recommended the retardation capability be increased in the field.

Due to various applications such as valve size, handle type and length, linkage, water pressure and other factors, it may be necessary to reduce the retardation.

The retarding capability of the unit is determined by the position of the Adjustment Plug (#7) located on the boss extending from the body.

Note the "indents" on the edge of the face of the Adjustment Plug and the "X" stamped on the Body. These 2 marks should be in line. This marks the maximum setting on the unit. To reduce the retardation, the Adjustment Plug can be turned counterclockwise. The further the Adjustment plug is turned the less the retardation. The 2 "indents" to the left of the "X" are for reference. It is not recommended the device be retarded past these marks.

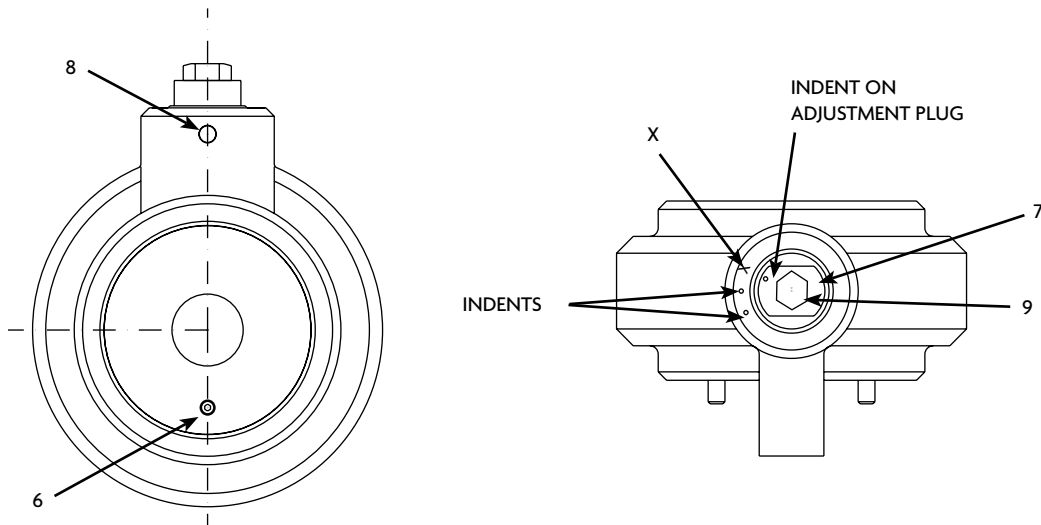
ADJUSTMENT PROCEDURE

1. Be sure the Slo-Cloz is properly installed on the Valve.
2. Loosen the Set Screw (#8).
3. To decrease the retarding force, turn the Adjustment Plug counterclockwise.
4. Once the desired setting is achieved, retighten the Set Screw.

Note: Do not use a wrench on the Hex Plug (#9) while adjusting the Adjustment Plug.

MAINTENANCE

Under normal conditions, the Slo-Cloz device does not require maintenance. If maintenance is required, contact Akron Brass Customer Service.





PHONE: 330.264.5678 or 800.228.1161 | FAX: 330.264.2944 or 800.531.7335 | akronbrass.com

REVISED: 6/11

WARRANTY AND DISCLAIMER: We warrant Akron Brass products for a period of five (5) years after purchase against defects in materials or workmanship. Akron Brass will repair or replace product which fails to satisfy this warranty. Repair or replacement shall be at the discretion of Akron Brass. Products must be promptly returned to Akron Brass for warranty service.

We will not be responsible for: wear and tear; any improper installation, use, maintenance or storage; negligence of the owner or user; repair or modification after delivery; damage; failure to follow our instructions or recommendations; or anything else beyond our control. WE MAKE NO WARRANTIES, EXPRESS OR IMPLIED, OTHER THAN THOSE INCLUDED IN THIS WARRANTY STATEMENT, AND WE DISCLAIM ANY IMPLIED WARRANTY OF MERCHANTABILITY OR FITNESS FOR ANY PARTICULAR PURPOSE. Further, we will not be responsible for any consequential, incidental or indirect damages (including, but not limited to, any loss of profits) from any cause whatsoever. No person has authority to change this warranty.

© Akron Brass Company, 2011 All rights reserved. No portion of this can be reproduced without the express written consent of Akron Brass Company.