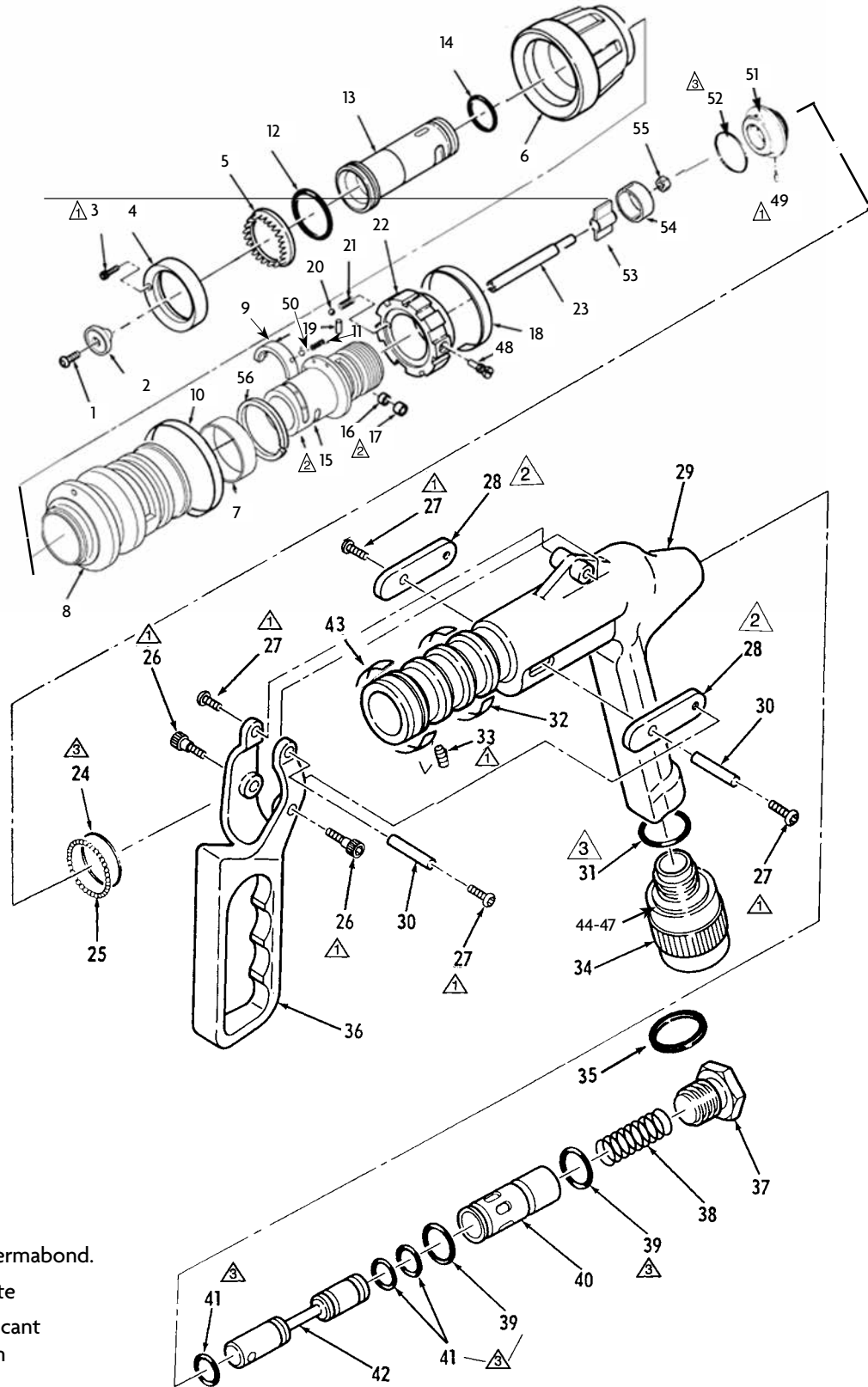


NOTE: This product is currently no longer in production. For service and repair, please contact Akron's Customer Service at 800.228.1161 or 330.264.5678.

STYLE 751
Force™ Nozzle
Manufactured After July 2000

TECHNICAL SERVICE PARTS



ASSEMBLY NOTES

- △ Use Loctite 222 or 113 Permabond.
- △ Use Low-Temp Lubriplate
- △ Use Parker O-Ring Lubricant or equivalent petroleum base lubricant.



STYLE 751
Force™ Nozzle
Manufactured After July 2000
TECHNICAL SERVICE PARTS LIST

ITEM NO.	DESCRIPTION	PART NUMBER	QUANTITY
1	Socket Head Cap Screw	765129	1
2	Baffle Head	116362	1
3	Socket Head Cap Screw	767094	2
4	Turbine Retaining Ring	109437	1
5*	Turbine	772024	1
6	Bumper	704583	1
7	Retaining Band	758229	1
8	Pattern Sleeve	116424	1
9	Cam Insert	723023	1
10	Indicating Band	703515	1
11	Spring	768293	2
12*	O-Ring	757242	1
13	Discharge Tube	117415	1
14*	O-Ring	757344	1
15	Nozzle Body	117414	1
16	Cam Roller Short	758210	1
17	Cam Roller Long	758211	1
18	Discharge Control Band GPM	703536	1
19	Key Pin	727034	1
20	Detent Ball	704018	1
21	Detent Spring	769111	1
22	Discharge Control Ring	758230	1
23	Stem	116422	1
24*	O-Ring	757020	1
25	Locking Balls	704030	22
26	Shoulder Screw	765145	2
27*	Button Head Screw	763061	4
28	Link	101858	2
29	Shutoff Body	109430	1
30	Pin	109086	2
31	O-Ring	757293	1
32	Band	703374	3

ITEM NO.	DESCRIPTION	PART NUMBER	QUANTITY
33*	Socket Head Set Screw	765022	1
34	Swivel** NH	116248	1
34	Swivel** BSP	116249	1
35*	Swivel Gasket	717047	1
36	Trigger	115419	1
37	Spring Holder	101857	1
38	Spring	769383	1
39*	O-Ring	757274	2
40	Sleeve	101859	1
41*	O-Ring	757275	3
42	Piston/Spool	101860	1
43	Band I.D.	703392	1
44	Swivel Adapter	116247	1
45	O-Ring	757064	1
46	Ball Bearings	704018	23
47	Set Screw	765134	1
48	Axel Cam	707252	1
49	Screw	765025	1
50	Detent Ball	704585	2
51	Adapter	117438	1
52	O-Ring	757048	1
53	Spider	769594	1
54	Spider Retainer	116363	1
55	Nut	735011	1
56	Lock Ring	729351	1
Not Shown	Lock Open Latch	107713	1
Not Shown	Washer For Lock Open Latch	768276	1
Not Shown	Roll Pins For Lock Open Latch	704049	2
Not Shown	Screws For Lock Open Latch	765197	2
Not Shown	Rear Bumper	704337	1
Not Shown	Rear Bumper Screws	765028	2

*Indicates parts included in Repair Kit #9115.

**For other threads order by description and thread size (ODM and TPI).



Tested... Proven... Trusted.

ISO 9001 REGISTERED COMPANY

PHONE: 330.264.5678 or 800.228.1161 | FAX: 330.264.2944 or 800.531.7335 | akronbrass.com

REVISED: 8/11

WARRANTY AND DISCLAIMER: We warrant Akron Brass products for a period of five (5) years after purchase against defects in materials or workmanship. Akron Brass will repair or replace product which fails to satisfy this warranty. Repair or replacement shall be at the discretion of Akron Brass. Products must be promptly returned to Akron Brass for warranty service.

We will not be responsible for: wear and tear; any improper installation, use, maintenance or storage; negligence of the owner or user; repair or modification after delivery; damage; failure to follow our instructions or recommendations; or anything else beyond our control. WE MAKE NO WARRANTIES, EXPRESS OR IMPLIED, OTHER THAN THOSE INCLUDED IN THIS WARRANTY STATEMENT, AND WE DISCLAIM ANY IMPLIED WARRANTY OF MERCHANTABILITY OR FITNESS FOR ANY PARTICULAR PURPOSE. Further, we will not be responsible for any consequential, incidental or indirect damages (including, but not limited to, any loss of profits) from any cause whatsoever. No person has authority to change this warranty.

© Akron Brass Company. 2011 All rights reserved. No portion of this can be reproduced without the express written consent of Akron Brass Company.