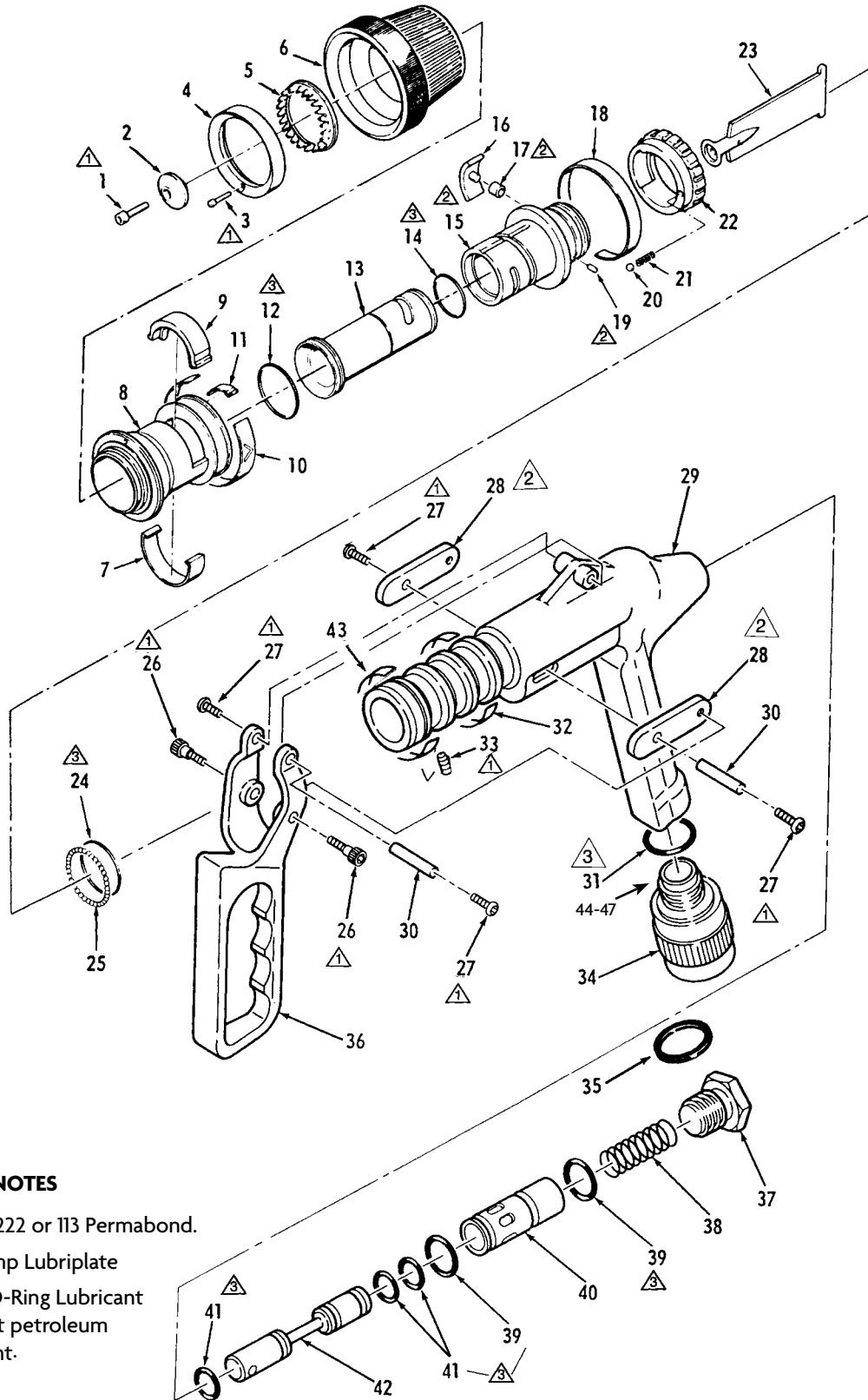


NOTE: This product is currently no longer in production. For service and repair, please contact Akron's Customer Service at 800.228.1161 or 330.264.5678.

STYLE 751
Force™ Nozzle
Manufactured Prior to July 2000

TECHNICAL SERVICE PARTS





STYLE 751
Force™ Nozzle
Manufactured Prior to July 2000
TECHNICAL SERVICE PARTS LIST

ITEM NO.	DESCRIPTION	PART NUMBER	QUANTITY
1	Socket Head Cap Screw	765027	1
2	Baffle Head	102204	1
3	Socket Head Cap Screw	767019	2
4	Turbine Retaining Ring	102205	1
5*	Turbine	772024	1
6	Bumper	704039	1
7	Retaining Band	704035	1
8	Pattern Sleeve	102206	1
9	Thread Insert	706153	1
10	Indicating Band	703515	1
11	Sleeve Detent Spring	769163	1
12*	O-Ring	757242	1
13	Discharge Tube	102207	1
14*	O-Ring	757243	1
15	Nozzle Body	102210	1
16	Control Segment	706154	1
17	Cam Roller	758106	1
18	Discharge Control Band GPM	703536	1
19	Key Pin	727017	1
20	Detent Ball	704018	1
21	Detent Spring	769111	1
22	Discharge Control Ring	758121	1
23	Blade	106124	1
24*	O-Ring	757020	1
25	Locking Balls	704030	22
26	Shoulder Screw	765145	2
27*	Button Head Screw	763061	4
28	Link	101858	2
29	Shutoff Body	109430	1
30	Pin	109086	2
31	O-Ring	757293	1
32	Band	703374	3
33*	Socket Head Set Screw	765022	1
34	Swivel** NH	116248	1
34	Swivel** BSP	116249	1
35*	Swivel Gasket	717047	1
36	Trigger	115419	1
37	Spring Holder	101857	1
38	Spring	769383	1
39*	O-Ring	757274	2
40	Sleeve	101859	1
41*	O-Ring	757275	3
42	Piston	101860	1
43	Band I.D.	703392	1
44	Swivel Adapter	116247	1
45	O-Ring	757064	1
46	Ball Bearings	704018	23
47	Set Screw	765134	1
Not Shown	Lock Open Latch	107713	1
Not Shown	Washer For Lock Open Latch	768276	1
Not Shown	Roll Pins For Lock Open Latch	704049	2
Not Shown	Screws For Lock Open Latch	765197	2
Not Shown	Rear Bumper	704337	1
Not Shown	Rear Bumper Screws	765028	2

*Indicates parts included in Repair Kit #9115. **For other threads order by description and thread size (ODM and TPI).



PHONE: 330.264.5678 or 800.228.1161 | FAX: 330.264.2944 or 800.531.7335 | akronbrass.com

REVISED: 7/11

WARRANTY AND DISCLAIMER: We warrant Akron Brass products for a period of five (5) years after purchase against defects in materials or workmanship. Akron Brass will repair or replace product which fails to satisfy this warranty. Repair or replacement shall be at the discretion of Akron Brass. Products must be promptly returned to Akron Brass for warranty service.

We will not be responsible for: wear and tear; any improper installation, use, maintenance or storage; negligence of the owner or user; repair or modification after delivery; damage; failure to follow our instructions or recommendations; or anything else beyond our control. WE MAKE NO WARRANTIES, EXPRESS OR IMPLIED, OTHER THAN THOSE INCLUDED IN THIS WARRANTY STATEMENT, AND WE DISCLAIM ANY IMPLIED WARRANTY OF MERCHANTABILITY OR FITNESS FOR ANY PARTICULAR PURPOSE. Further, we will not be responsible for any consequential, incidental or indirect damages (including, but not limited to, any loss of profits) from any cause whatsoever. No person has authority to change this warranty.

© Akron Brass Company. 2011 All rights reserved. No portion of this can be reproduced without the express written consent of Akron Brass Company.