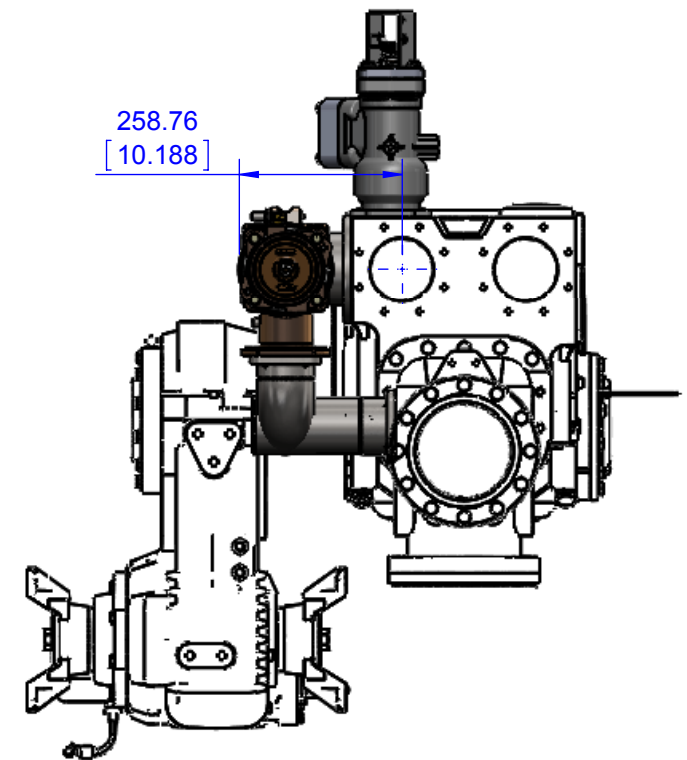
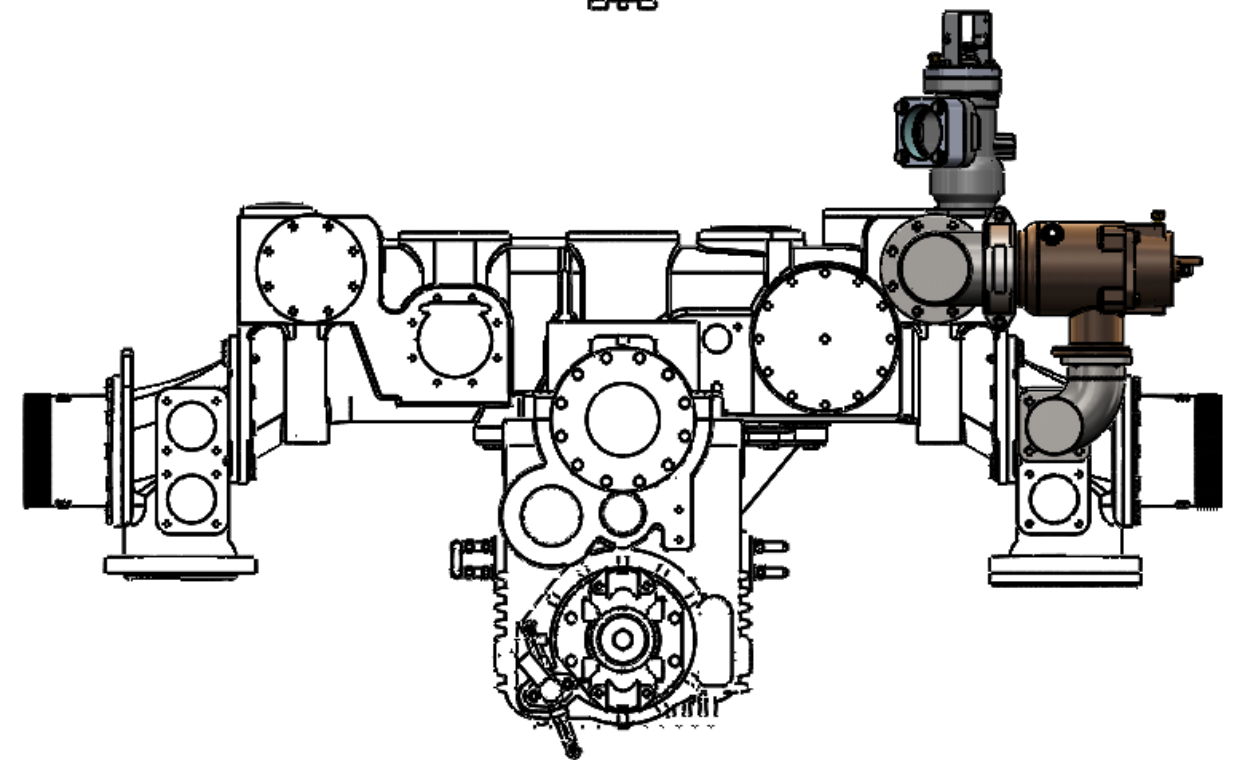
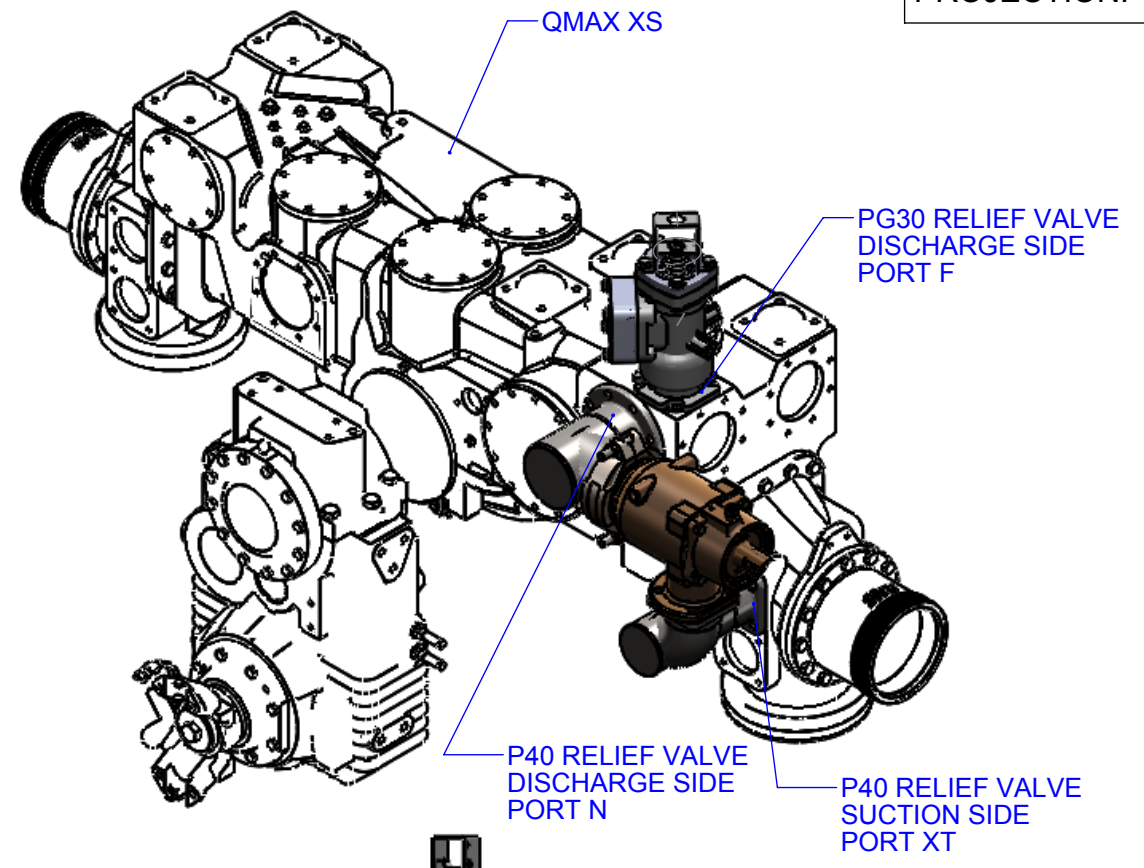
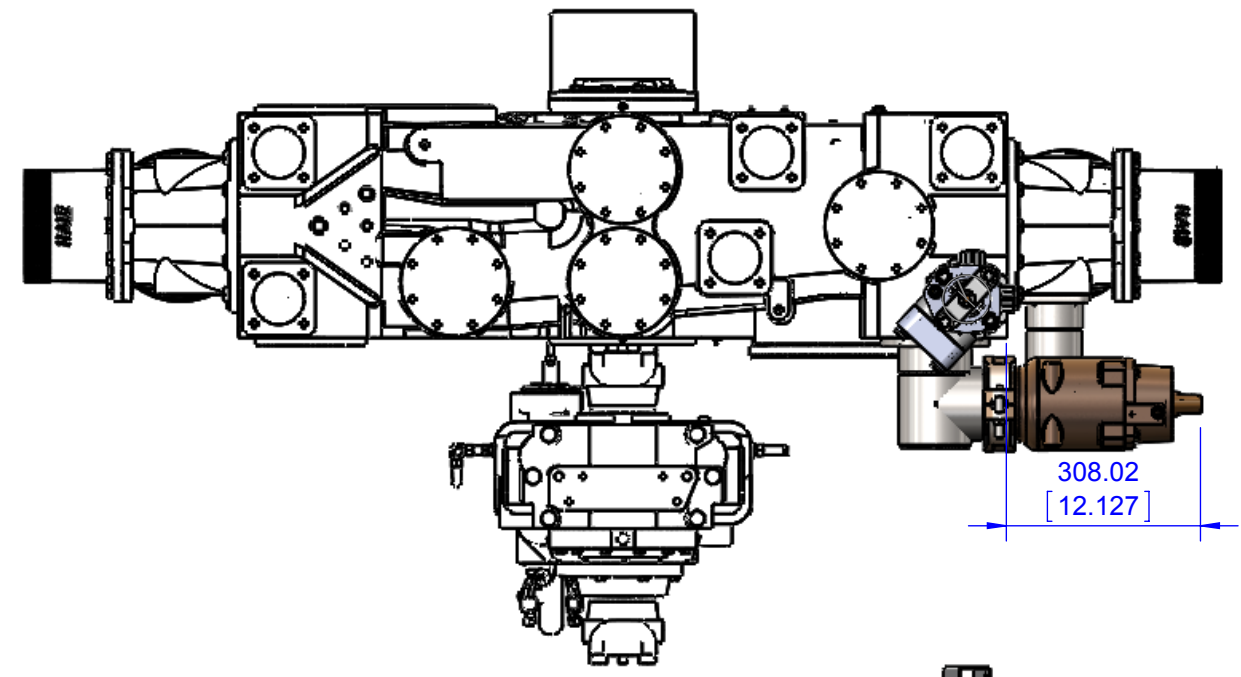




1 2 3 4 5 6 7 8

IF IN DOUBT ASK

PROJECTION: 

ITEMS SHADED ARE INCLUDED IN 538-00050-000



UNLESS OTHERWISE SPECIFIED DIMENSIONS ARE IN MILLIMETERS [INCHES ARE FOR REFERENCE, ONLY] TOLERANCE FOR MILLIMETER DIMENSIONS: X: ±1 X.X: ±0.5 X.XX: ±0.25 X.XXX: ±0.125 ANGLES: ±0.25° SURFACE TEXTURE IN µm Ra REMOVE ALL SHARP EDGES, 0.25MAX		 	
MATERIAL	TITLE TPM/P40 RELIEF VLV W/PM CTRL- QMAX XS		
MADE FROM	DRAWN	JAA	SIZE <b>B</b>
FINISH	APPROVED	JB	SCALE 1:12
PROJECT	DATE	10/07/2015	DRAWING NUMBER <b>538-00050-000</b>
COPYRIGHT © NOT TO BE REPRODUCED OR USED TO MAKE OTHER DRAWINGS OR MACHINERY			REV <b>A</b> SHEET 1 OF 1

REVISIONS

ECN	REV.	ZONE	CHANGED FROM	BY	DATE	APVD
--	A	--	ORIGINAL RELEASE	JAA	07OCT2015	JB

1 2 3 4 5 6 7 8