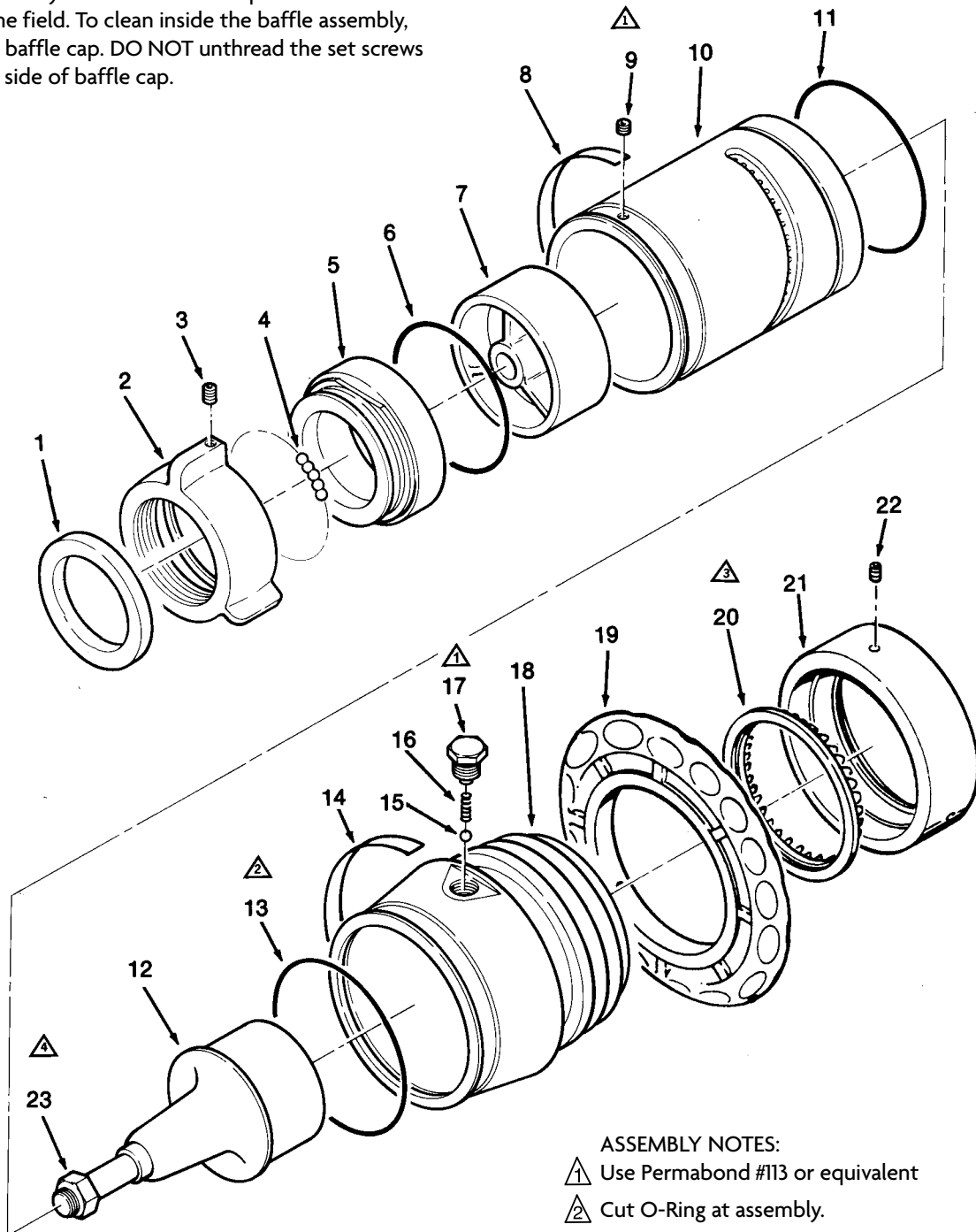


MAXIMUM OPERATING PRESSURE: 200 PSI FLOW RATING:
500-1250 GPM @ 80 PSI Baffle assembly item #12 must be
returned to factory for calibration or replaced. Do not
calibrate in the field. To clean inside the baffle assembly,
unthread the baffle cap. DO NOT unthread the set screws
in the end or side of baffle cap.



ASSEMBLY NOTES:

- ① Use Permabond #113 or equivalent
- ② Cut O-Ring at assembly.
- ③ Turbine Teeth to be cut at assembly.
- ④ Apply grease stick with wax for stainless steel to male thread before installing lock nut item #23.



STYLES 5060
Akromatic® 1250 Nozzle
TECHNICAL SERVICE PARTS LIST

Item No.	Description	Part Number	Qty.
1	Swivel Gasket (2 1/2")	717043	1
1	Swivel Gasket (3 1/2")	714023	1
2	Swivel (2 1/2" NH)*	101420	1
2	Swivel (3 1/2" NH)*	109525	1
3	Swivel Plug (2 1/2")	742023	1
3	Swivel Plug (3 1/2")	765186	1
4	Ball Bearings	**	43
5	Swivel Adapter	108353	1
6	O-Ring	757035	1
7	Spider	108357	1
8	I.D. Band	704273	1
9	Set Screw	765022	1
10	Throat	108358	1
11	O-Ring	757251	1
12	Baffle Assembly	50600001	1
13	O-Ring	757252	1
14	Indicating Band – GPM	703510	1
14	Indicating Band – LPM	703511	1
15	Detent Ball	704018	1
16	Detent Spring	769111	1
17	Cam Nut	735045	1
18	Pattern Sleeve	102333	1
19	Pattern Control Ring	703397	1
20	Turbine Teeth	773062	1
21	Turbine Retaining Ring	102331	1
22	Set Screw	767088	3
23	Hex Nut	734099	1
24	O-Ring (for 3 1/2" Swivel) Not Shown	757087	1

*For other threads order by description and thread size (ODM and TPI) or by Akron Thread Code.

**Packet of 50 Locking Balls — P/N 109041



PHONE: 330.264.5678 or 800.228.1161 | FAX: 330.264.2944 or 800.531.7335 | akronbrass.com

REVISED: 7/11

WARRANTY AND DISCLAIMER: We warrant Akron Brass products for a period of five (5) years after purchase against defects in materials or workmanship. Akron Brass will repair or replace product which fails to satisfy this warranty. Repair or replacement shall be at the discretion of Akron Brass. Products must be promptly returned to Akron Brass for warranty service.

We will not be responsible for: wear and tear; any improper installation, use, maintenance or storage; negligence of the owner or user; repair or modification after delivery; damage; failure to follow our instructions or recommendations; or anything else beyond our control. WE MAKE NO WARRANTIES, EXPRESS OR IMPLIED, OTHER THAN THOSE INCLUDED IN THIS WARRANTY STATEMENT, AND WE DISCLAIM ANY IMPLIED WARRANTY OF MERCHANTABILITY OR FITNESS FOR ANY PARTICULAR PURPOSE. Further, we will not be responsible for any consequential, incidental or indirect damages (including, but not limited to, any loss of profits) from any cause whatsoever. No person has authority to change this warranty.

© Akron Brass Company, 2011 All rights reserved. No portion of this can be reproduced without the express written consent of Akron Brass Company.