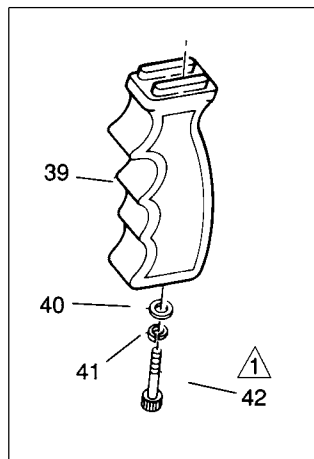


Assembly Notes:

- △ Use Loctite 222 or 113 Permabond
- △ Use Low-Temp Lubriplate
- △ Use Parker O-Ring lubricant or equivalent petroleum base lubricant





STYLE 4841
Assault™ Nozzle
TECHNICAL SERVICE PARTS LIST

ITEM NO.	DESCRIPTION	PART NUMBER	QUANTITY 4841
1	BUTTON HEAD SCREW	765173	1
2	FLOW LABEL 150 GPM @ 100 PSI	729179	1
2	FLOW LABEL 125 GPM @ 100 PSI	729178	1
2	FLOW LABEL 95 GPM @ 100 PSI	729177	1
2	FLOW LABEL 125 GPM @ 75 PSI	729176	1
2	FLOW LABEL 95 GPM @ 75 PSI	729175	1
2	FLOW LABEL 150 GPM @ 75 PSI	729202	1
2	FLOW LABEL 175 GPM @ 100 PSI	729203	1
3	BAFFLE HEAD	107967	1
4	SOCKET HEAD CAP SCREW	767094	2
5	TURBINE RETAINING RING	758202	1
6	TURBINE TEETH	772153	1
7	O-RING	757309	1
8	BUMPER ASSEMBLY	48150056	1
9	PATTERN STOP SCREW	769489	1
10	PATTERN INDICATING BAND	704067	1
11	O-RING	757268	1
12	THROAT	107971	1
13	SPRING	769491	1
14	O-RING	757308	1
15	NOZZLE BODY	107966	1
16	SOCKET HEAD SET SCREW	767088	3
17	SOCKET HEAD SCREW	765025	1
18	O-RING	757307	1
19	FLOW SPACERS	*	
20	BAFFLE STERN	107970	1
21	SPIDER	769490	1
22	BUTTON HEAD SCREW	765149	1
23	SPIDER RETAINER	107968	1
24	LOCKING BALLS	**	64
25	O-RING	757283	2
26	SET SCREW	766015	2
27	SHUTOFF BODY	107898	1
28	SET SCREW	765008	1
29	TRUNNION	107857	2
30	O-RING	757282	2
31	ROLL PIN	744080	2
32	HANDLE	721417	1
33	O-RING	757281	2

34	SEAT	769245	2
35	BALL	704006	1
36	O-RING	757267	1
39	PISTOL GRIP	718233	1
40	WASHER	784093	1
41	LOCK WASHER	784090	1
42	SOCKET HEAD CAP SCREW	763064	1
43	WASHER	784110	1
-	PISTOL GRIP ASSEMBLY (NOT SHOWN)	17410007	1
-	SWIVEL GASKET 1-1/2" (NOT SHOWN)	717042	1

* To Change or replace flow spacers call Customer Service for Flow Kits.
 † For other threads order by description and thread size (ODM and TPI) or by Akron Thread Code.
 ** Packet of 50 Locking Balls - P/N 109042



PHONE: 330.264.5678 or 800.228.1161 | FAX: 330.264.2944 or 800.531.7335 | akronbrass.com

REVISED: 6/11

WARRANTY AND DISCLAIMER: We warrant Akron Brass products for a period of five (5) years after purchase against defects in materials or workmanship. Akron Brass will repair or replace product which fails to satisfy this warranty. Repair or replacement shall be at the discretion of Akron Brass. Products must be promptly returned to Akron Brass for warranty service.

We will not be responsible for: wear and tear; any improper installation, use, maintenance or storage; negligence of the owner or user; repair or modification after delivery; damage; failure to follow our instructions or recommendations; or anything else beyond our control. WE MAKE NO WARRANTIES, EXPRESS OR IMPLIED, OTHER THAN THOSE INCLUDED IN THIS WARRANTY STATEMENT, AND WE DISCLAIM ANY IMPLIED WARRANTY OF MERCHANTABILITY OR FITNESS FOR ANY PARTICULAR PURPOSE. Further, we will not be responsible for any consequential, incidental or indirect damages (including, but not limited to, any loss of profits) from any cause whatsoever. No person has authority to change this warranty.

© Akron Brass Company. 2011 All rights reserved. No portion of this can be reproduced without the express written consent of Akron Brass Company.