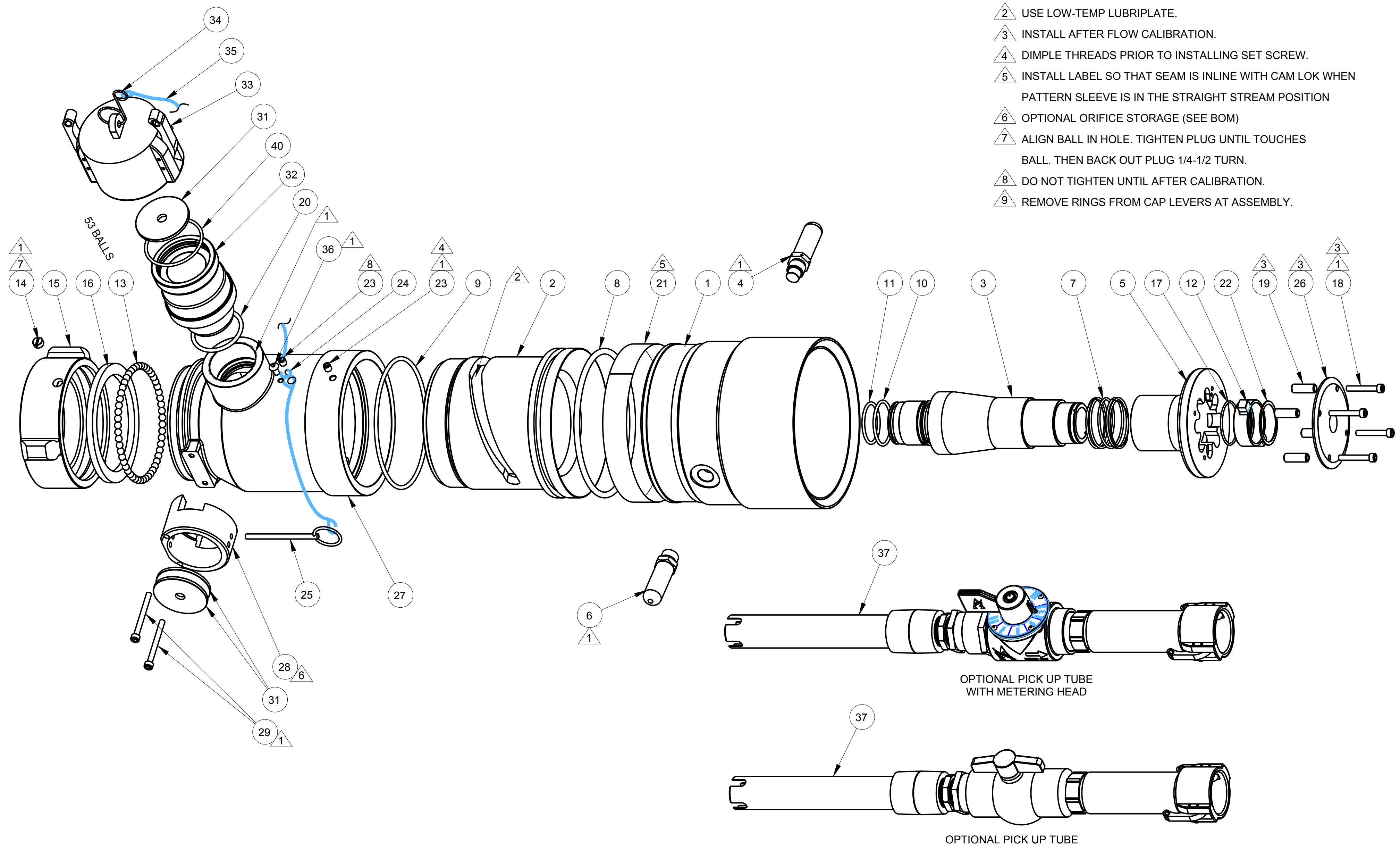


ASSEMBLY NOTES:  
 USE PARKER O-LUBE ON ALL O-RINGS AND MATING SURFACES  
 UNLESS OTHERWISE NOTED.

- ① USE PERMABOND LM113 OR LOCTITE 222.
- ② USE LOW-TEMP LUBRIPLATE.
- ③ INSTALL AFTER FLOW CALIBRATION.
- ④ DIMPLE THREADS PRIOR TO INSTALLING SET SCREW.
- ⑤ INSTALL LABEL SO THAT SEAM IS IN LINE WITH CAM LOK WHEN PATTERN SLEEVE IS IN THE STRAIGHT STREAM POSITION
- ⑥ OPTIONAL ORIFICE STORAGE (SEE BOM)
- ⑦ ALIGN BALL IN HOLE. TIGHTEN PLUG UNTIL TOUCHES BALL. THEN BACK OUT PLUG 1/4-1/2 TURN.
- ⑧ DO NOT TIGHTEN UNTIL AFTER CALIBRATION.
- ⑨ REMOVE RINGS FROM CAP LEVERS AT ASSEMBLY.



PHONE: 330.264.5678 or 800.228.1161 | FAX: 330.264.2944 or 800.531.7335 | www.akronbrass.com

WARRANTY AND DISCLAIMER\*: We warrant Akron Brass products for a period of five (5) years\* after purchase against defects in materials or workmanship. Akron Brass will repair or replace product which fails to satisfy this warranty. Repair or replacement shall be at the discretion of Akron Brass. Products must be promptly returned to Akron Brass for warranty service. We will not be responsible for: wear and tear; any improper installation, use, maintenance or storage; negligence of the owner or user; repair or modification after delivery; failure to follow our instructions or recommendations; or anything else beyond our control. WE MAKE NO WARRANTIES, EXPRESS OR IMPLIED, OTHER THAN THOSE INCLUDED IN THIS WARRANTY STATEMENT, AND WE DISCLAIM ANY IMPLIED WARRANTY OF MERCHANTABILITY OR FITNESS FOR ANY PARTICULAR PURPOSE. Further, we will not be responsible for any consequential, incidental or indirect damages (including, but not limited to, any loss of profits) from any cause whatsoever. No person has authority to change this warranty. \*Unless otherwise provided herein. Akron Brass industrial electronic components & the Severe-Duty Monitor have a one (1) year warranty. Select Akron Brass handline nozzles and valves carry a ten (10) year warranty. Weldon products have a two (2) year warranty from date of manufacture (excluding consumable components). Select Weldon LED products carry a five (5) year warranty. Honda products have the manufacturers' warranty and Akron Brass disclaims any warranty in respect of those products.

Parts List Sheet:

123440



TECHNICAL SERVICE PARTS

STYLE 4478

PRODUCT 2000 GPM ALUMINUM AKROFOAM

Chg.	Date
02	04-13
03	12-13

Find	Description	Item	Qty
1	Sleeve Pattern	123418	1
2	Body Nozzle	123419	1
3	Stem Foam	123415	1
4	Handle Cam	707984	1
5	Baffle	123416	1
6	Handle Pattern	721641	1
7	Spring baffle	768424	1
8	O-ring 2-354	757484	1
9	O-ring 2-247	757078	1
10	O-ring 2-127	757048	1
11	O-ring 2-126	757483	1
12	Retainer Baffle	123417	1
13	Ball Brass 1/4"	703017*	53
14	Plug Swivel	742023	1
15	Swivel 3-1/2" NH	104014	1
15	Swivel 3-1/2" NPSH	104021	1
16	Gasket 3-1/2"	714023	1
17	O-ring 2-029	757056	1
18	Screw Socket Head Cap #10-24 x 1-1/4"	767100	4
19	Spacer Deflector	123422	4
20	O-Ring 2-224	757182	1
21	Band Mylar	803023	1
22	Ring Retaining	758319	1
23	Screw Socket Head Cap Locwel 1/4-20 x 5/16"	766015	2
24	Ball Nylon 3/16"	704031	1
25	Pin with Lanyard	744497	1
26	Plate Deflector	123414	1
27	Inlet Machined	123420	1
28	Cup Orifice	123423	1
29	Screw Socket Head Cap #10-24 x 2"	763077	2
31	Etched Orifice .360/.358 "A"	123433	1
31	Etched Orifice .416/.414 "B"	123434	1
31	Etched Orifice .519/.517 "C"	123435	1
31	Etched Orifice .598/.596 "D"	123436	1
31	Etched Orifice .695/.693 "E"	123437	1
31	Etched Orifice .868/.866 "F"	123438	1
31	Etched Orifice 1.107/1.105 "G"	123439	1
32	Connector Cam Lok	123421	1
33	Cap with Locking Levers	707982	1
34	Clip "S" Hook	707070	1
35	Lanyard 9"	729357	1
36	Screw Button Head Cap #10-24 x 3/8"	765143	1
37	Pick Up Tube Assembly w/Valve (Optional)	44780002	1
37	Pick Up Tube Assembly w/Metering Head (Optional)	44780005	1
40	O-Ring 2-137	757203	1

\* Kit of 50 Balls: 109041

PHONE: 330.264.5678 or 800.228.1161 | FAX: 330.264.2944 or 800.531.7335 | www.akronbrass.com

Parts List Sheet:

123440

WARRANTY AND DISCLAIMER\*: We warrant Akron Brass products for a period of five (5) years\* after purchase against defects in materials or workmanship. Akron Brass will repair or replace product which fails to satisfy this warranty. Repair or replacement shall be at the discretion of Akron Brass. Products must be promptly returned to Akron Brass for warranty service. We will not be responsible for: wear and tear; any improper installation, use, maintenance or storage; negligence of the owner or user; repair or modification after delivery; failure to follow our instructions or recommendations; or anything else beyond our control. WE MAKE NO WARRANTIES, EXPRESS OR IMPLIED, OTHER THAN THOSE INCLUDED IN THIS WARRANTY STATEMENT, AND WE DISCLAIM ANY IMPLIED WARRANTY OF MERCHANTABILITY OR FITNESS FOR ANY PARTICULAR PURPOSE. Further, we will not be responsible for any consequential, incidental or indirect damages (including, but not limited to, any loss of profits) from any cause whatsoever. No person has authority to change this warranty. \*Unless otherwise provided herein. Akron Brass industrial electronic components & the Severe-Duty Monitor have a one (1) year warranty. Select Akron Brass handline nozzles and valves carry a ten (10) year warranty. Weldon products have a two (2) year warranty from date of manufacture (excluding consumable components). Select Weldon LED products carry a five (5) year warranty. Honda products have the manufacturers' warranty and Akron Brass disclaims any warranty in respect of those products.

©Premier Farnell Corporation. 2012 All rights reserved. No portion of this can be reproduced without the express written consent of Premier Farnell Corporation