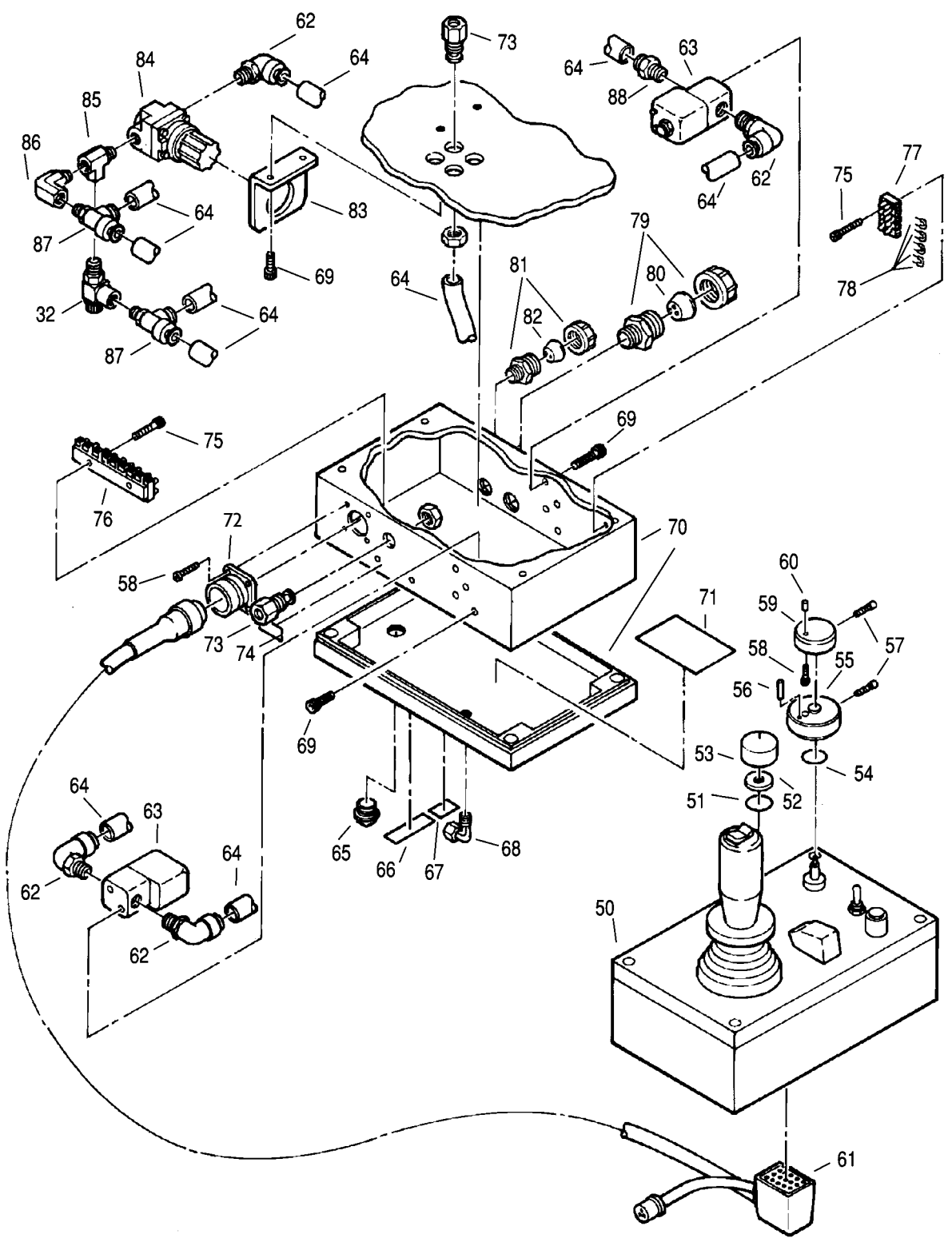


SEE PAGE 2  
FOR ASSM. DETAILS



ITEM NO.	DESCRIPTION	PART NUMBER	QTY	ITEM NO.	DESCRIPTION	PART NUMBER	QTY
1	90° Fitting	713199	3	39A	Baffle 300 GPM	104468	1
2	Braided Hose	721265	2	39B	Baffle 200 GPM	104470	1
3	Air Cylinder	109216	1	39C	Baffle 250 GPM	104491	1
4	O-Ring	757005	2	39D	Baffle 95 GPM	104469	1
5	Cylinder Eye	707266	1	39E	Baffle 150 GPM	104471	1
6	Set Screw	765025	1	39F	Baffle 125 GPM	104473	1
7	Cylinder Pivot	707267	2	39G	Baffle 60 GPM	104472	1
8	Socket Head Cap Screw	767086	4	39H	Baffle 500GPM	109548	1
9	O-Ring	757095	1	39J	Baffle 400 GPM	109584	1
10	Hex Head Cap Screw (Bolt)	761083	1	40A	Socket Head Cap Screw	767096	1
11	Stop Spacer	770270	1	40B	Socket Head Cap Screw (400 GPM)	767142	1
12	Socket Head Cap Screw	766036	1	41A	O-Ring	757285	2
13	Siamese	104493	1	41B	O-Ring (500 GPM)	757159	2
14	O-Ring	757046	1	42A	Retaining Ring	758187	1
15	O-Ring	757029	1	42B	Retaining Ring (500 GPM)	758219	1
16	O-Ring	757064	1	43A	O-Ring	757286	1
17	Rulon Bearing	704288	1	43B	O-Ring (400 GPM)	757332	1
18	O-Ring	757036	1	44A	Rear Piston	104481	1
19	Ball Bearing	704020	29	44B	Rear Piston (400 GPM)	109546	1
20	Celcon Plug	742024	2	45A	O-Ring	757287	1
21	Grease Fitting	713191	1	45B	O-Ring (400 GPM)	757161	1
22	Pipe Plug	744009	1	46A	Center Piston	104482	1
23	Inlet Elbow	104477	1	46B	Center Piston (400 GPM)	109547	1
24A	Motor/Actuator (12 Volt)	34650055	1	47A	O-Ring	757323	1
24B	Motor/Actuator (24 Volt)	34650056	1	47B	O-Ring (500 GPM)	757161	1
24C	Motor Only (12 Volt)	34650175	1	48A	Retaining Ring	758186	1
24D	Motor Only (24 Volt)	34650176	1	48B	Retaining Ring (400 GPM)	758187	1
25	Socket Head Cap Screw	737112	3	49A	Pattern Sleeve	109304	1
26A	Mounting Plate	109215	1	49B	Pattern Sleeve (400 GPM)	109545	1
26B	Mounting Plate (Trapezoid)	109421	1	50A*	Control Box Assembly Landscape (12 Volt)	34650076	1
27	Hex Head Cap Screw	761070	4	50B*	Control Box Assembly Landscape (24 Volt)	34650072	1
28	Hex Head Cap Screw	761072	4	50C*	Control Box Assembly Portrait (12 Volt)	34650073	1
29	Ident Plate	744359	1	50D*	Control Box Assembly Portrait (24 Volt)	34650077	1
30	Nail Grip	736045	4	51	O-Ring	757226	1
31	Tube Fitting	713067	1	52	Spacer	770269	1
32	Control Valve	779058	3	53	Control Knob	727037	1
33	Air Connector	707262	1	54	O-Ring	757243	1
34	O-Ring	757022	1	55	Left Limit Knob	104478	1
35	Cylinder Pin	744302	1	56	Roll Pin	744050	1
36	O-Ring	757289	2	57	Socket Head Cap Screw	765164	2
37A	Outlet Tee (Up to 300 GPM)	104485	1	58	Socket Head Cap Screw	767019	4
37B	Outlet Tee (Above 300 GPM)	109544	1	59	Right Limit Knob	104479	1
38A	O-Ring	757246	1	60	Roll Pin	744066	1
38B	O-Ring (500 GPM)	757159	1				



**STYLE 3465  
BUMPER TURRET  
TECHNICAL SERVICE PARTS LIST**

ITEM NO.	DESCRIPTION	PART NUMBER	QTY	ITEM NO.	DESCRIPTION	PART NUMBER	QTY
61A	8 Ft. Wiring Harness w/Plugs	721263	1	89	Set Screw	765099	1
61B	12 Ft. Wiring Harness w/Plugs	721264	1	90	Hose Braided	721260	2
61C	25 Ft. Wiring Harness w/Plugs	721269	1	91	Screw	761089	2
62	90° Fitting	710091	7	92	Counter Balance (Units over 300 GPM)	104467	1
63A	Solenoid Valve (12 Volt)	769420	4	93	Bracket	704355	1
63B	Solenoid Valve (24 Volt) (500 GPM)	769464	4	94	Spacer	769468	1
64	Nylon Hose 60"	721261	1	95A	PC Board (12 Volt)	704558	1
65	Access Plug	744303	1	95B	PC Board (24 Volt)	704557	1
66	Speed Cont. Label	729124	1	96	Joystick	34650174	1
67	Air Exhaust Label	729126	1				
68	Elbow Fitting	713075	1				
69	Socket Head Cap Screw	765152	10				
70	Junction Box	703414	1				
71	Wiring Label	729123	1				
72	Connector Plug	707265	1				
73	Fitting	713081	5				
74	Air Inlet Label	729125	1				
75	Socket Head Cap Screw	767094	4				
76	Terminal Block	704293	1				
77	Terminal Block	704294	1				
78	Jumper	725024	4				
79	Grip	718141	1				
80	3 Hole Bushing	703398	1				
81	Grip	718014	1				
82	2 Hole Bushing	718098	1				
83	Regulator Bracket	704306	1				
84	Air Regulator	758190	1				
85	Tee Fitting	713084	1				
86	Elbow Fitting	713085	1				
87	Male Fitting	713080	2				
88	Fitting	713082	2				



**Tested... Proven... Trusted.**  
ISO 9001 REGISTERED COMPANY

PHONE: 330.264.5678 or 800.228.1161 | FAX: 330.264.2944 or 800.531.7335 | akronbrass.com

REVISED: 9/11

WARRANTY AND DISCLAIMER: We warrant Akron Brass products for a period of five (5) years after purchase against defects in materials or workmanship. Akron Brass will repair or replace product which fails to satisfy this warranty. Repair or replacement shall be at the discretion of Akron Brass. Products must be promptly returned to Akron Brass for warranty service.

We will not be responsible for: wear and tear; any improper installation, use, maintenance or storage; negligence of the owner or user; repair or modification after delivery; damage; failure to follow our instructions or recommendations; or anything else beyond our control. WE MAKE NO WARRANTIES, EXPRESS OR IMPLIED, OTHER THAN THOSE INCLUDED IN THIS WARRANTY STATEMENT, AND WE DISCLAIM ANY IMPLIED WARRANTY OF MERCHANTABILITY OR FITNESS FOR ANY PARTICULAR PURPOSE. Further, we will not be responsible for any consequential, incidental or indirect damages (including, but not limited to, any loss of profits) from any cause whatsoever. No person has authority to change this warranty.

© Akron Brass Company. 2011 All rights reserved. No portion of this can be reproduced without the express written consent of Akron Brass Company.