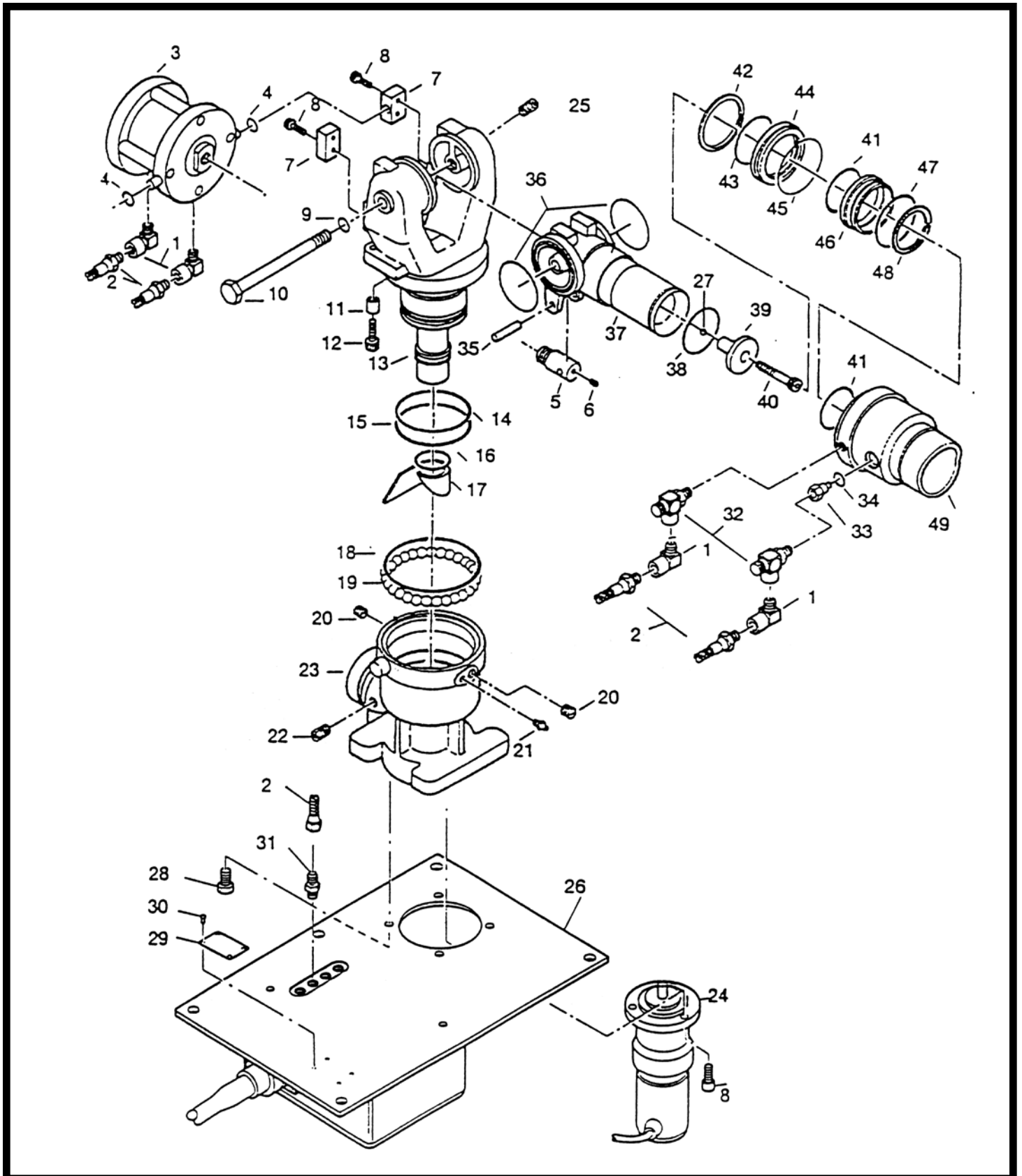
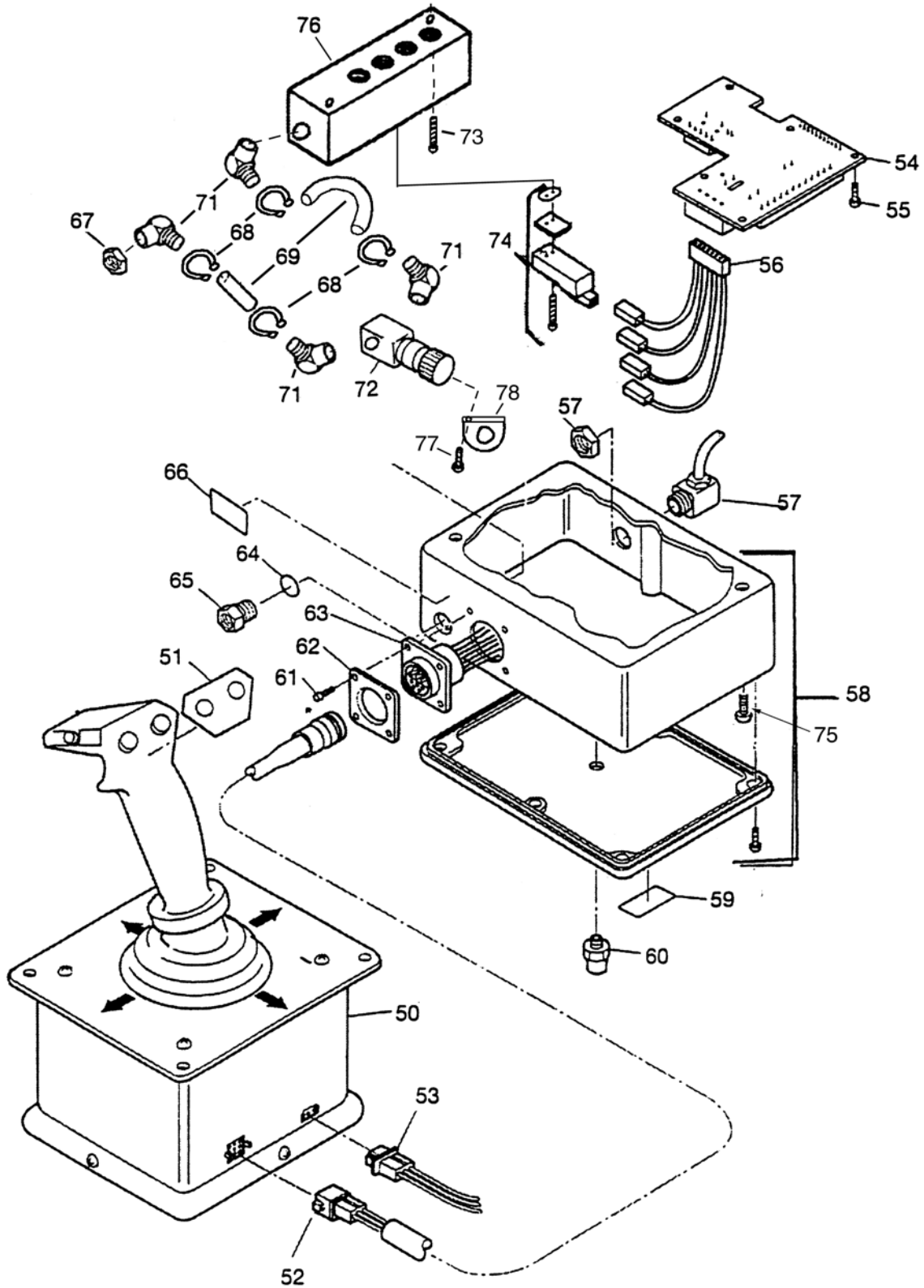


TECHNICAL SERVICE PARTS



TECHNICAL SERVICE PARTS





**STYLE 3464
BUMPER TURRET
TECHNICAL SERVICE PARTS LIST**

ITEM NO.	DESCRIPTION	PART NUMBER	QUANTITY
1	90° Fitting	713199	4
2	Braided Hose 16"	721302	2
3	Air Cylinder	109216	1
4	O-Ring	757005	2
5	Cylinder Eye	707266	1
6	Set Screw	765025	1
7	Cylinder Pivot	707267	2
8	Socket Head Cap Screw	767086	9
9	O-Ring	757095	1
10	Hex Head Cap Screw (Bolt)	761083	1
11	Stop Spacer	770270	1
12	Socket Head Cap Screw	766036	1
13	Siamese	104493	1
14	O-Ring	757046	1
15	O-Ring	757029	1
16	O-Ring	757064	1
17	Rulon Bearing	704288	1
18	O-Ring	757036	1
19	Ball Bearing	704020	29
20	Celcon Plug	742024	2
21	Grease Fitting	713191	1
22	Pipe Plug	744009	1
23	Inlet Elbow	117305	1
24A	Motor/Actuator (12 Volt)	34640010	1
24B	Motor/Actuator (24 Volt)	34640011	1
24C	Motor Only (12 Volt)	731072	1
24D	Motor Only (24 Volt)	731075	1
25	Set Screw	765099	1
26A	Mounting Plate Small	117054	1
26B	Mounting Plate Large (option)	117048	1
27	Shim		4
28	Hex Head Cap Screw	761072	4
29	Indent Plate	744304	1
30	Nail Grip	736045	4
31	Connector	707336	4
32	Control Valve	779058	2
33	Air Connector	707262	1
34	O-Ring	757022	1

ITEM NO.	DESCRIPTION	PART NUMBER	QUANTITY
35	Cylinder Pin	744302	1
36	O-Ring	757289	2
37	Outlet Tee	104485	1
38	O-Ring	757246	1
39A	Baffle 300 GPM	104468	1
39B	Baffle 200 GPM	104470	1
39C	Baffle 250 GPM	104491	1
39D	Baffle 95 GPM	104469	1
39E	Baffle 60 GPM	104472	1
39F	Baffle 150 GPM	104471	1
39G	Baffle 125 GPM	104473	1
39H	Baffle 500 LPM	104474	1
39J	Baffle 750 LPM	104475	1
40	Socket Head Cap Screw	767096	1
41	O-Ring	757285	2
42	Retaining Ring	758187	1
43	O-Ring	757286	1
44	Rear Piston	104481	1
45	O-Ring	757287	1
46	Center Piston	104482	1
47	O-Ring	757323	1
48	Retaining Ring	758186	1
49	Pattern Sleeve	109304	1
50	Joystick Control Box	34640009	1
51	Function Plate	745107	1
52A	Wiring Harness 12'	721304	1
52B	Wiring Harness 25'	721310	1
53	Power Harness 4'	721305	1
54A	P.C. Board (12 Volt)	704454	1
54B	P.C. Board (24 Volt)	704466	1
55	Screw	766053	1
56	Solenoid Harness	721307	1
57	Cord Grip w/ Nut	718170	1
58	Enclosure Box	116961	1
59	Label (Air Exhaust)	729126	1
60	Muffler	731074	1
61	Screw	765175	4
62	Mtg. Plate	744346	1



**STYLE 3464
BUMPER TURRET
TECHNICAL SERVICE PARTS LIST**

ITEM NO.	DESCRIPTION	PART NUMBER	QUANTITY
63	Bulkhead Connector	721306	1
64	O-Ring	757034	1
65	Bulkhead Adapter	702069	1
66	Label (Air Inlet)	729125	1
67	Jam Nut	735051	1
68	Clamp	707375	4
69	Tube 1/4" x 1/8"	772166	7 in.
71	Swivel Elbow	710107	4
72	Regulator	758233	1
73	Screw	765179	2
74A	Solenoid Valve 12V	779072	4
74B	Solenoid Valve 24V	779076	1
75	Screw	765064	2
76	Manifold	731082	1
77	Screw	765129	2
78	Regulator Bracket	704616	1
79	Braided Hose 22"	721303	2



Tested...Proven...Trusted.

ISO 9001 REGISTERED COMPANY

PHONE: 330.264.5678 or 800.228.1161 | FAX: 330.264.2944 or 800.531.7335 | akronbrass.com

REVISED: 10/08

WARRANTY AND DISCLAIMER: We warrant Akron Brass products for a period of five (5) years after purchase against defects in materials or workmanship. Akron Brass will repair or replace product which fails to satisfy this warranty. Repair or replacement shall be at the discretion of Akron Brass. Products must be promptly returned to Akron Brass for warranty service.

We will not be responsible for: wear and tear; any improper installation, use, maintenance or storage; negligence of the owner or user; repair or modification after delivery; damage; failure to follow our instructions or recommendations; or anything else beyond our control. WE MAKE NO WARRANTIES, EXPRESS OR IMPLIED, OTHER THAN THOSE INCLUDED IN THIS WARRANTY STATEMENT, AND WE DISCLAIM ANY IMPLIED WARRANTY OF MERCHANTABILITY OR FITNESS FOR ANY PARTICULAR PURPOSE. Further, we will not be responsible for any consequential, incidental or indirect damages (including, but not limited to, any loss of profits) from any cause whatsoever. No person has authority to change this warranty.

© Akron Brass Company. 2000 All rights reserved. No portion of this can be reproduced without the express written consent of Akron Brass Company.