

- ASSEMBLY NOTES:  
 USE PARKER O-LUBE ON ALL O-RINGS AND MATING SURFACES UNLESS OTHERWISE NOTED.
- ① USE PERMABOND LM113 OR LOCTITE 222.
  - ② USE PRIMER T AND PERMABOND HH120 OR LOCTITE 277.
  - ③ TORQUE TO 35-45 IN-LBS.
  - ④ USE LOW-TEMP LUBRIPLATE.
  - ⑤ CENTER A BALL IN LOADING HOLE. SCREW IN SET SCREW UNTIL IT MAKES CONTACT WITH BALL. BACK OUT SET SCREW "SLIGHTLY" UNTIL SPINDLE MOVES FREELY.

PHONE: 800.228.1161 | [www.akronbrass.com](http://www.akronbrass.com)

WARRANTY AND DISCLAIMER\*: We warrant Akron Brass products for a period of five (5) years\* after purchase against defects in materials or workmanship. Akron Brass will repair or replace product which fails to satisfy this warranty. Repair or replacement shall be at the discretion of Akron Brass. Products must be promptly returned to Akron Brass for warranty service. We will not be responsible for: wear and tear; any improper installation, use, maintenance or storage; negligence of the owner or user; repair or modification after delivery; failure to follow our instructions or recommendations; or anything else beyond our control. WE MAKE NO WARRANTIES, EXPRESS OR IMPLIED, OTHER THAN THOSE INCLUDED IN THIS WARRANTY STATEMENT, AND WE DISCLAIM ANY IMPLIED WARRANTY OF MERCHANTABILITY OR FITNESS FOR ANY PARTICULAR PURPOSE. Further, we will not be responsible for any consequential, incidental or indirect damages (including, but not limited to, any loss of profits) from any cause whatsoever. No person has authority to change this warranty. \*Unless otherwise provided herein. Akron Brass industrial electronic components & the Severe-Duty Monitor have a one (1) year warranty. Select Akron Brass handline nozzles and valves carry a ten (10) year warranty. Scene Star Lights carry a (6) year warranty. Weldon products have a two (2) year warranty from date of manufacture (excluding consumable components). Select Weldon LED products carry a five (5) year warranty. Honda products have the manufacturers' warranty and Akron Brass disclaims any warranty in respect of those products.

© 2016 Akron Brass Company. All rights reserved. No portion of this can be reproduced without the express written consent of the Akron Brass Company.

Parts List Sheet:  
 124196

D45810



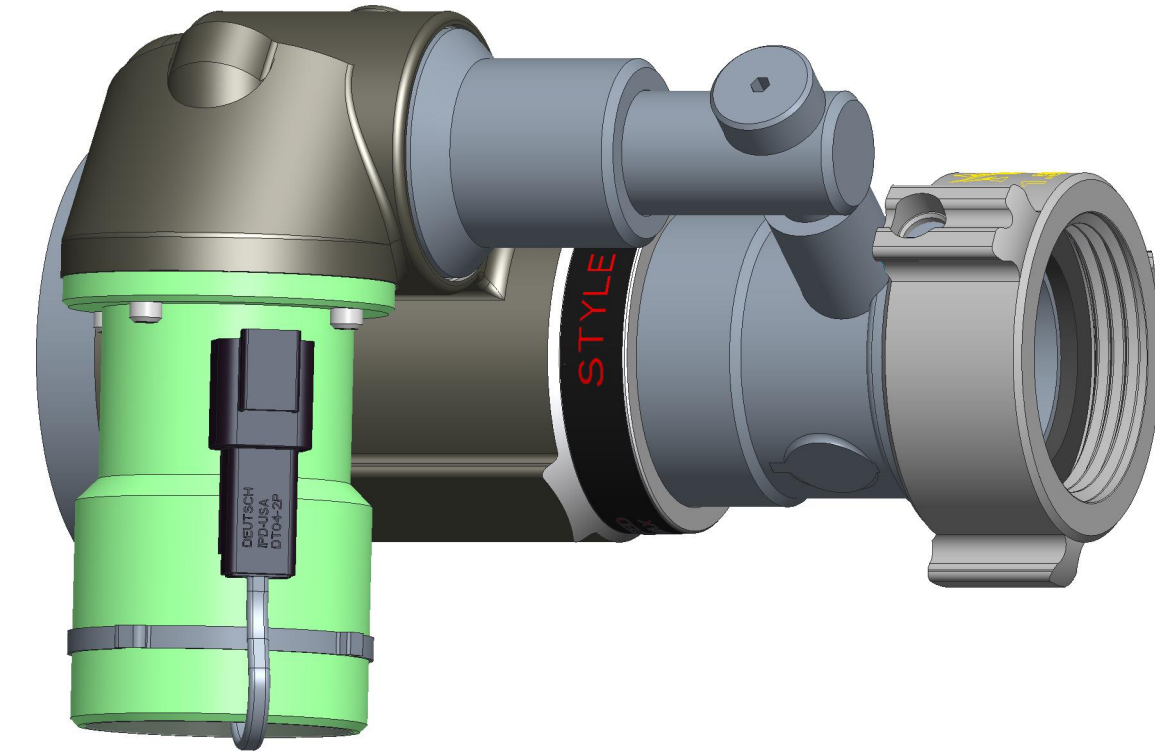
TECHNICAL SERVICE PARTS

STYLE 3293  
 PRODUCT 25 - 50 FIREFOX DE-ICING

IF AN ITEM IS NOTED AS "NOT FIELD REPAIRABLE", OR YOU WISH TO RETURN AN ITEM TO AKRON BRASS FOR SERVICE PLEASE GO ONLINE TO, [ONLINEREPAIR.AKRONBRASS.COM](http://ONLINEREPAIR.AKRONBRASS.COM)

Chg.	Date
05	08-19
06	08-22

Find	Description	Item	QTY
1	BODY NOZZLE	124040	1
2	THROAT	117892	1
3	BAFFLE HEAD	122489	1
4	STEM BAFFLE	768425	1
5	SPRING	769897	1
6	CAP BAFFLE	122490	1
7	SLEEVE PATTERN	117894	1
8	C GASKET	-	1
9	SWIVEL 1.5" NH	115424	1
10	A BALL 1/4"	-	25
11	SCREW HEX HEAD SHOULDER 1/2D x 1" x 3/8-16	765198	1
12	C O-RING 2-129	-	1
14	SCREW SOCKET HEAD CAP #4-40 x 3/8"	767019	2
15	RING FULL DISPERSE RETAINING	120406	1
15	RING FLAT DISPERSE RETAINING	119526	1
16	C O-RING 2-132	-	1
17	C O-RING 2-036	-	1
18	SPRING LEFT HAND COIL	769629	1
19	HOUSING SCREW	117924	1
20	C O-RING 2-118	-	1
21	C O-RING 2-016	-	1
22	SCREW FREEWHEELING BALL ASSEMBLY	767148	1
23	TUBE PATTERN ACTUATOR GUIDE	108379	1
24	C O-RING 2-127	-	1
25	B BALL 3/16" SST	-	24
26	SCREW SOCKET HEAD FLAT POINT SET 5/16-24 x 1/4"	765134	1
27	GEAR BALLSCREW	718191	1
28	NUT HEX 1/4-20	734061	1
29	WORM PATTERN ACTUATOR	785021	1
30	PIN ROLL 1/16" x 3/8"	744341	1
31	SCREW SOCKET HEAD CAP 1/4-20 x 3/4"	765030	1
34	C O-RING 2-029	-	1
35	C O-RING 2-015	-	1
36	MOTOR 12V	33560007	1
36	MOTOR 24V	33560010	1
39	SCREW SOCKET HEAD CAP #6-32 x 1/2"	765150	4
38	* SHIM PLASTIC GREEN	-	1
40	* SHIM PLASTIC BLUE	-	1
41	* SHIM PLASTIC BROWN	-	1
42	* SHIM PLASTIC PINK	-	1
43	PIN RETAINING	744178	3
44	BAND ID 12VOLT	704645	1
44	BAND ID 24VOLT	703896	1
70	NAIL GRIP	736052	4
71	TAG SERIAL	773392	1



"IMPORTANT"  
 INSTALLATION INSTRUCTIONS

The Style 3293 has a full time swivel and must be locked in place as follows:

1. Thread the nozzle onto the monitor outlet.
2. Rotate the motor into required location.
3. Tighten the swivel.
4. Plug in motor connector.

MAXIMUM OPERATING PRESSURE: 200 PSI  
 FLOW RATING: 50 GPM AT 100 PSI

WARNING: The electrical control system must incorporate a current limiting circuitry set for a maximum of 3 amps for 12 volts (1.5 amps for 24 volts). Without circuitry set, motor may become inoperable if stalled during operation.

A	KIT OF 50 BALLS Ø 1/4"	109041
B	KIT OF 50 BALLS Ø 3/16"	121874
C	SEAT, SEAL, O-RING KIT	32933017

\* INSTALLED AT FACTORY AS NEEDED FOR FINAL FLOW CALIBRATION.

PHONE: 800.228.1161 | [www.akronbrass.com](http://www.akronbrass.com)

WARRANTY AND DISCLAIMER\*: We warrant Akron Brass products for a period of five (5) years\* after purchase against defects in materials or workmanship. Akron Brass will repair or replace product which fails to satisfy this warranty. Repair or replacement shall be at the discretion of Akron Brass. Products must be promptly returned to Akron Brass for warranty service. We will not be responsible for: wear and tear; any improper installation, use, maintenance or storage; negligence of the owner or user; repair or modification after delivery; failure to follow our instructions or recommendations; or anything else beyond our control. WE MAKE NO WARRANTIES, EXPRESS OR IMPLIED, OTHER THAN THOSE INCLUDED IN THIS WARRANTY STATEMENT, AND WE DISCLAIM ANY IMPLIED WARRANTY OF MERCHANTABILITY OR FITNESS FOR ANY PARTICULAR PURPOSE. Further, we will not be responsible for any consequential, incidental or indirect damages (including, but not limited to, any loss of profits) from any cause whatsoever. No person has authority to change this warranty. \*Unless otherwise provided herein. Akron Brass industrial electronic components & the Severe-Duty Monitor have a one (1) year warranty. Select Akron Brass handline nozzles and valves carry a ten (10) year warranty. Scene Star Lights carry a (6) year warranty. Weldon products have a two (2) year warranty from date of manufacture (excluding consumable components). Select Weldon LED products carry a five (5) year warranty. Honda products have the manufacturers' warranty and Akron Brass disclaims any warranty in respect of those products.

Parts List Sheet:

124196