



CONVERSION INSTRUCTIONS
AKRON 3062 AND 3097 METERING KITS
FOR STYLES 2600/2608 AND 2950/2958 EDUCTORS

DISASSEMBLY (FIGURE 1)

Tools and Material Needed:

- $\frac{1}{8}$ " Allen Wrench
- $\frac{1}{4}$ " Allen Wrench
- Large standard screwdriver
- Hammer
- $\frac{1}{2}$ -13 tap (For 2608-60 GPM Eductors)
- $\frac{1}{2}$ -13 bolt
- $\frac{5}{8}$ -11 tap (For 2958-95 GPM Eductors)
- $\frac{5}{8}$ -11 bolt

1. Remove inlet and outlet adapters (Items 1 and 13) by removing twelve (12) socket head cap screws (Item 2) - RETAIN all removed parts including the Vellumoid gaskets. (Not applicable on 2600 and 2950 inlines.)
2. Remove ball check retainer (Item 7) with pin spanner wrench and keep for new assembly. Remove gasket and O-Ring (Item 8 and 12) from retainer and discard.

Note: If retainer doesn't break loose, heat with propane torch.

3. Remove check ball (Item 9) - Discard Item 9.
4. Remove swivel collar (Item 10) - Retain Item 10.
5. Remove socket set screw (Item 5) - Discard Item 5.
6. Place screwdriver into foam inlet and push blending tube (Item 4) back to remove - Discard Item 4 and O-Ring (Item 6).
7. Using thread tap from eductor inlet side, tap into gallonage orifice (Item 11) 2-3 turns. Remove tap and insert a proper bolt into orifice.
8. From the outlet end, place screwdriver or rod against bolt end and drive out orifice with hammer - Discard Item 11.
9. Clean threads where parts were removed.

ASSEMBLY (FIGURE 2)

Tools and Material Needed:

- $\frac{1}{8}$ " Allen Wrench
- $\frac{1}{4}$ " Allen Wrench
- Loctite 277 or Permabond HH120
- O-Ring Lube or Silicone grease
- Permatex Form-A-Gasket or equal

1. Grease O-Ring (Item 6) and place O.D. groove of blending tube (Item 4).
2. Grease bore (lightly) in eductor body inlet and push blending tube (Item 4) completely into bore.
3. Apply Form-A-Gasket to socket head set screw (Item 5) and thread into tapped hole in body until snug. **DO NOT TIGHTEN.** Press blending tube (Item 4) forward with thumb while doing this.
4. Place a bead of Form-A-Gasket around outside area of water and eductor ports on body and adapter flanges. (Not applicable on 2600 and 2950 inlines.)
5. Position Vellumoid gaskets (Item 3) on body flange and re-assemble inlet and outlet adapters using socket head cap screws (Item 2). Torque screws 225-250 inch pounds.
6. Apply Loctite to male thread on foam concentrate inlet.
7. Place swivel collar (Item 10) over threaded foam concentrate inlet with thread end out.
8. Drop check ball (Item 9) into inlet.
9. Place new gasket (Item 8) in ball check retainer recess and place greased O-Ring (Item 6) in retainer O.D. groove.
10. Thread check ball adapter (Item 7) onto inlet thread until snug. Make sure swivel collar (Item 10) is free.
11. Allow 24 hours for Loctite to cure before use.
12. Attach new pickup hose assembly and unit is ready for use.

PARTS LIST 60 AND 95 GPM CONVERSION KITS (REF. FIGURE 2)

ITEM NO.	DESCRIPTION	PART NUMBER	2600 2608	2950 2958
4	Blending Tube 60 GPM	7-72-155	1	—
4	Blending Tube 95 GPM	7-72-156	—	1
5	Set Screw	7-65-002	1	1
6	O-Ring	7-57-010	1	1
8	Gasket	7-16-027	1	1
9	Ball	7-03-159	1	1

Figure 1

NOTE: Bypass Eductor shown.
Inline Eductor same in
designated area.

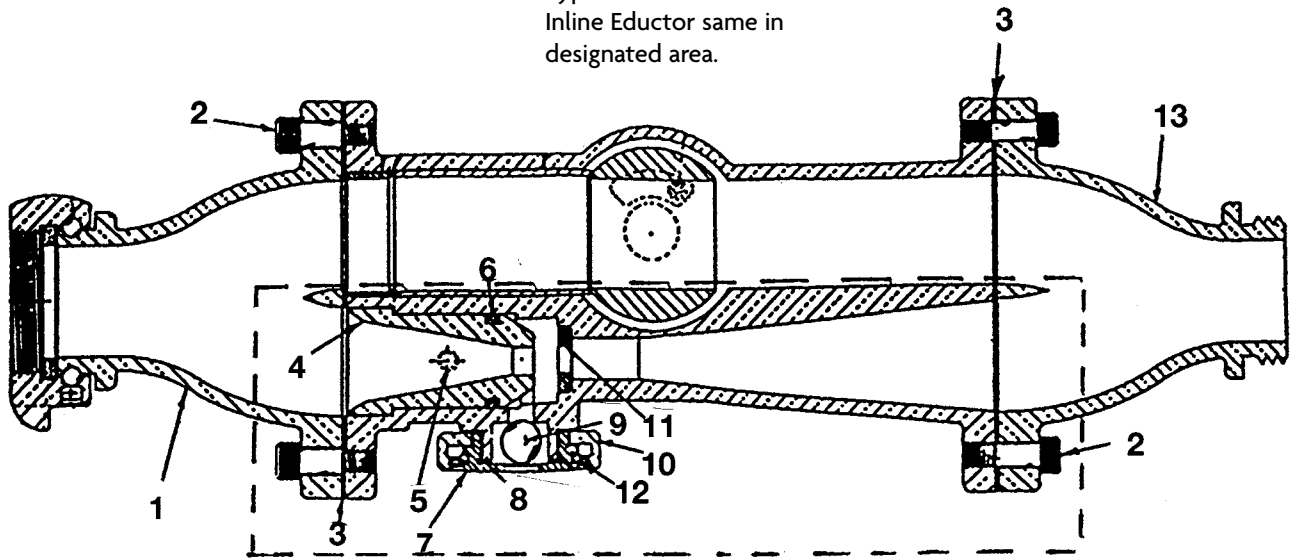
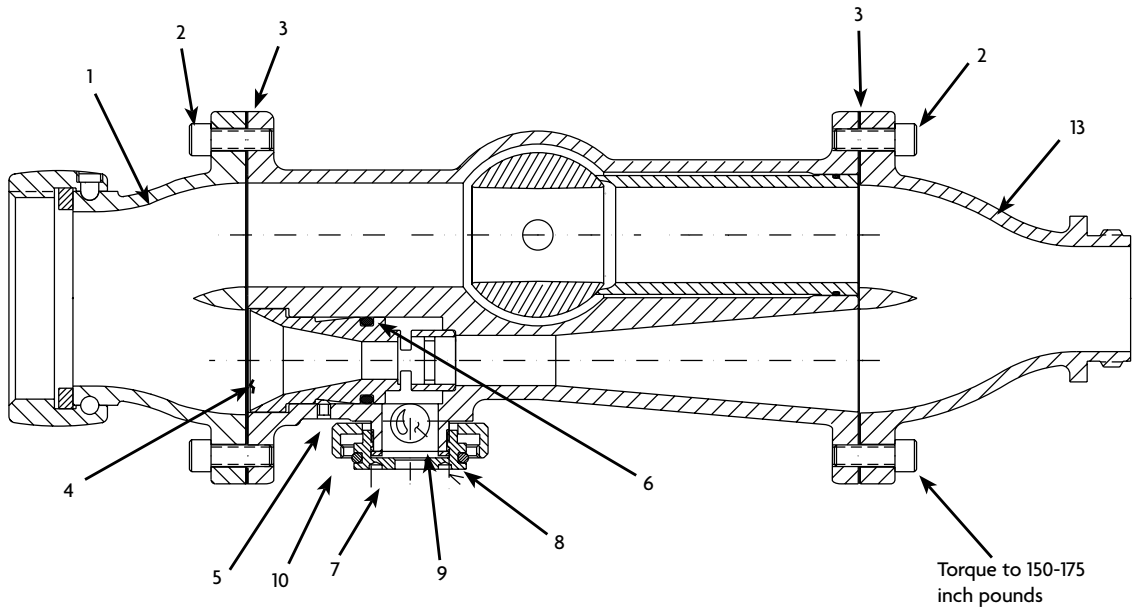


Figure 2





PHONE: 330.264.5678 or 800.228.1161 | FAX: 330.264.2944 or 800.531.7335 | akronbrass.com

REVISED: 8/11

WARRANTY AND DISCLAIMER: We warrant Akron Brass products for a period of five (5) years after purchase against defects in materials or workmanship. Akron Brass will repair or replace product which fails to satisfy this warranty. Repair or replacement shall be at the discretion of Akron Brass. Products must be promptly returned to Akron Brass for warranty service.

We will not be responsible for: wear and tear; any improper installation, use, maintenance or storage; negligence of the owner or user; repair or modification after delivery; damage; failure to follow our instructions or recommendations; or anything else beyond our control. WE MAKE NO WARRANTIES, EXPRESS OR IMPLIED, OTHER THAN THOSE INCLUDED IN THIS WARRANTY STATEMENT, AND WE DISCLAIM ANY IMPLIED WARRANTY OF MERCHANTABILITY OR FITNESS FOR ANY PARTICULAR PURPOSE. Further, we will not be responsible for any consequential, incidental or indirect damages (including, but not limited to, any loss of profits) from any cause whatsoever. No person has authority to change this warranty.

© Akron Brass Company, 2011 All rights reserved. No portion of this can be reproduced without the express written consent of Akron Brass Company.