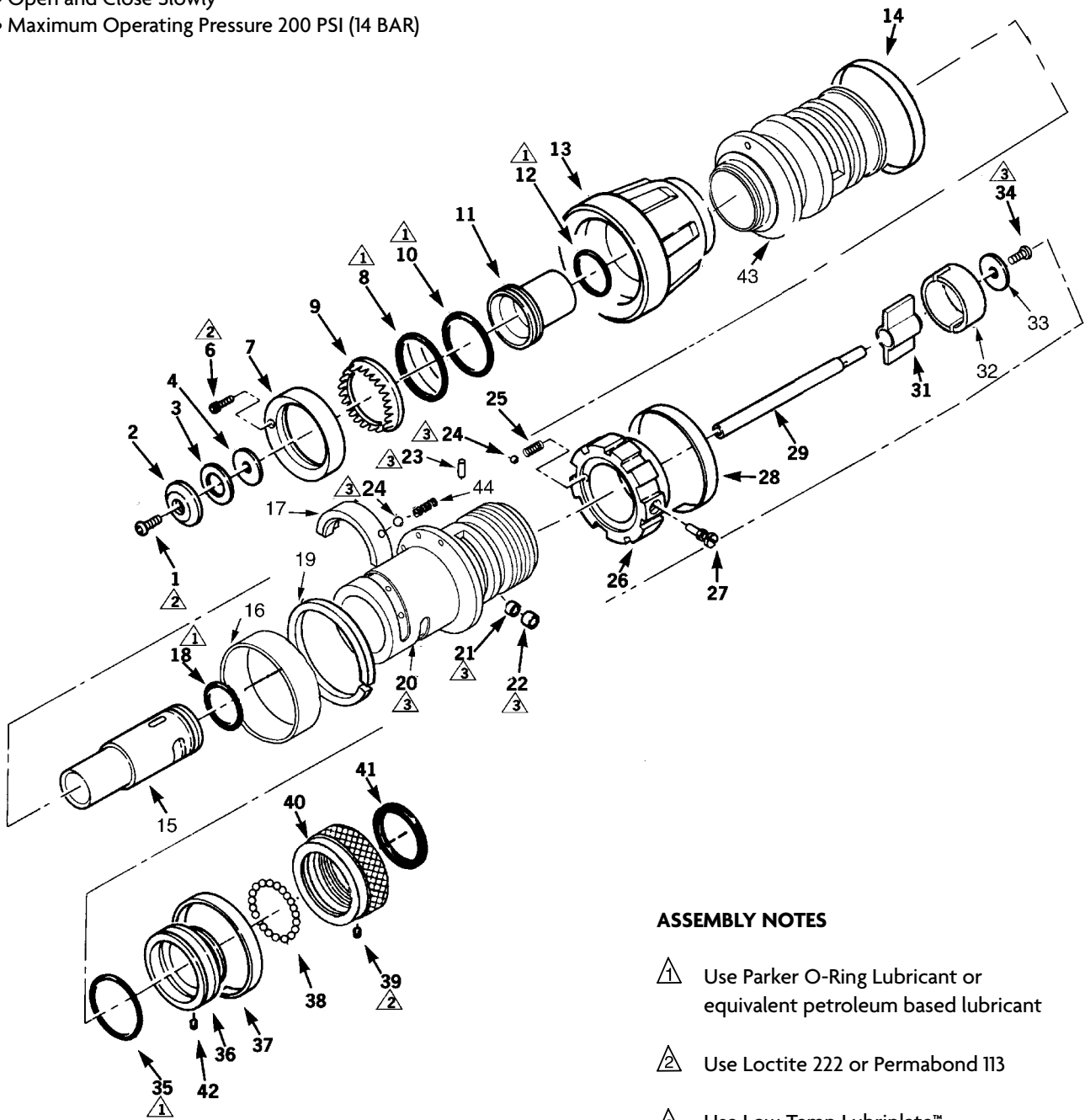


OPERATING INSTRUCTIONS:

- Flow Rating at 100 PSI (7 BAR)
- Open and Close Slowly
- Maximum Operating Pressure 200 PSI (14 BAR)



ASSEMBLY NOTES

- ⚠ Use Parker O-Ring Lubricant or equivalent petroleum based lubricant
- ⚠ Use Loctite 222 or Permabond 113
- ⚠ Use Low-Temp Lubriplate™



**STYLE 1717
TURBOJET® TIP
MANUFACTURED AFTER JUNE 2000
TECHNICAL SERVICE PARTS LIST**

ITEM NO.	DESCRIPTION	PART NUMBER	QUANTITY
1	Flat Head Screw	760040	1
2	Gasket Retainer	102232	1
3	Baffle Gasket	717046	1
4	Baffle Head (100 PSI)	102231	1
4	Baffle Head (75 PSI)	118815	1
6	Socket Head Cap Screw	767094	2
7	Turbine Retaining Ring	758183	1
7**	Turbine Retaining Ring (for Metal Teeth)	758252	1
8	O-Ring	757280	1
9	Turbine Teeth (Delrin)	772136	1
9**	Turbine Teeth (Metal)	118814	1
10	O-Ring	757244	1
11	Throat (100 PSI)	117174	1
11	Throat (75 PSI)	118818	1
12	O-Ring	757245	1
13	Bumper Assembly	703388	1
14	Pattern Indicating Band (100 PSI)	704885	1
14	Pattern Indicating Band (75 PSI)	704836	1
15	Discharge Tube (100 PSI)	117175	1
15	Discharge Tube (75 PSI)	118817	1
16	Ring	754057	1
17	Insert	707395	1
18	O-Ring	757242	1
19	Ring Retainer	758223	1
20	Nozzle Body (100 PSI)	117171	1
20	Nozzle Body (75 PSI)	118816	1
21	Cam Roller – Short	758210	1
22	Cam Roller – Long	758211	1
23	Key Pin	727034	1
24	Detent Ball	704018	3
25	Detent Spring	769283	2
26	Discharge Control Ring	758182	1
27	Cam Axle	707252	1
28	Discharge Control Band – GPM (100 PSI)	704822	1
28	Discharge Control Band – GPM (75 PSI)	704835	1
28	Discharge Control Band – LPM (7 BAR)	704821	1
29	Stem	119332	1
31	Spider	768296	1
32	Spider Retainer	116903	1
33	Washer	784094	1
34	Nut	734061	1
35	O-Ring	757232	1
36	Swivel Adapter	117172	1
37	I.D. Band	704285	1
38	Locking Balls	*	42
39	Set Screw	765008	1
40†	Swivel (NH)	108313	1
40†	Swivel (NPSH)	108314	1
41	Swivel Gasket	717042	1
42	Set Screw	765040	1
43	Pattern Sleeve	117173	1
44	Detent Spring	768283	2
45**	Turbine Bearing (for Metal Teeth) NOT SHOWN	704705	1

†For other threads order by description and thread size (ODM and TPI) or by Thread Code.

*Packet of 50 Locking Balls - P/N 109042

**To convert Turbine Teeth from Delrin to Metal, Items 7, 9 and 45 must be used.



Tested—Proven—Trusted.

ISO 9001 REGISTERED COMPANY

PHONE: 330.264.5678 or 800.228.1161 | FAX: 330.264.2944 or 800.531.7335 | akronbrass.com

REVISED: 8/11

WARRANTY AND DISCLAIMER: We warrant Akron Brass products for a period of five (5) years after purchase against defects in materials or workmanship. Akron Brass will repair or replace product which fails to satisfy this warranty. Repair or replacement shall be at the discretion of Akron Brass. Products must be promptly returned to Akron Brass for warranty service.

We will not be responsible for: wear and tear; any improper installation, use, maintenance or storage; negligence of the owner or user; repair or modification after delivery; damage; failure to follow our instructions or recommendations; or anything else beyond our control. WE MAKE NO WARRANTIES, EXPRESS OR IMPLIED, OTHER THAN THOSE INCLUDED IN THIS WARRANTY STATEMENT, AND WE DISCLAIM ANY IMPLIED WARRANTY OF MERCHANTABILITY OR FITNESS FOR ANY PARTICULAR PURPOSE. Further, we will not be responsible for any consequential, incidental or indirect damages (including, but not limited to, any loss of profits) from any cause whatsoever. No person has authority to change this warranty.

© Akron Brass Company. 2011 All rights reserved. No portion of this can be reproduced without the express written consent of Akron Brass Company.