



TECHNICAL SERVICE PARTS

STYLE 4470
PRODUCT AKROFOAM

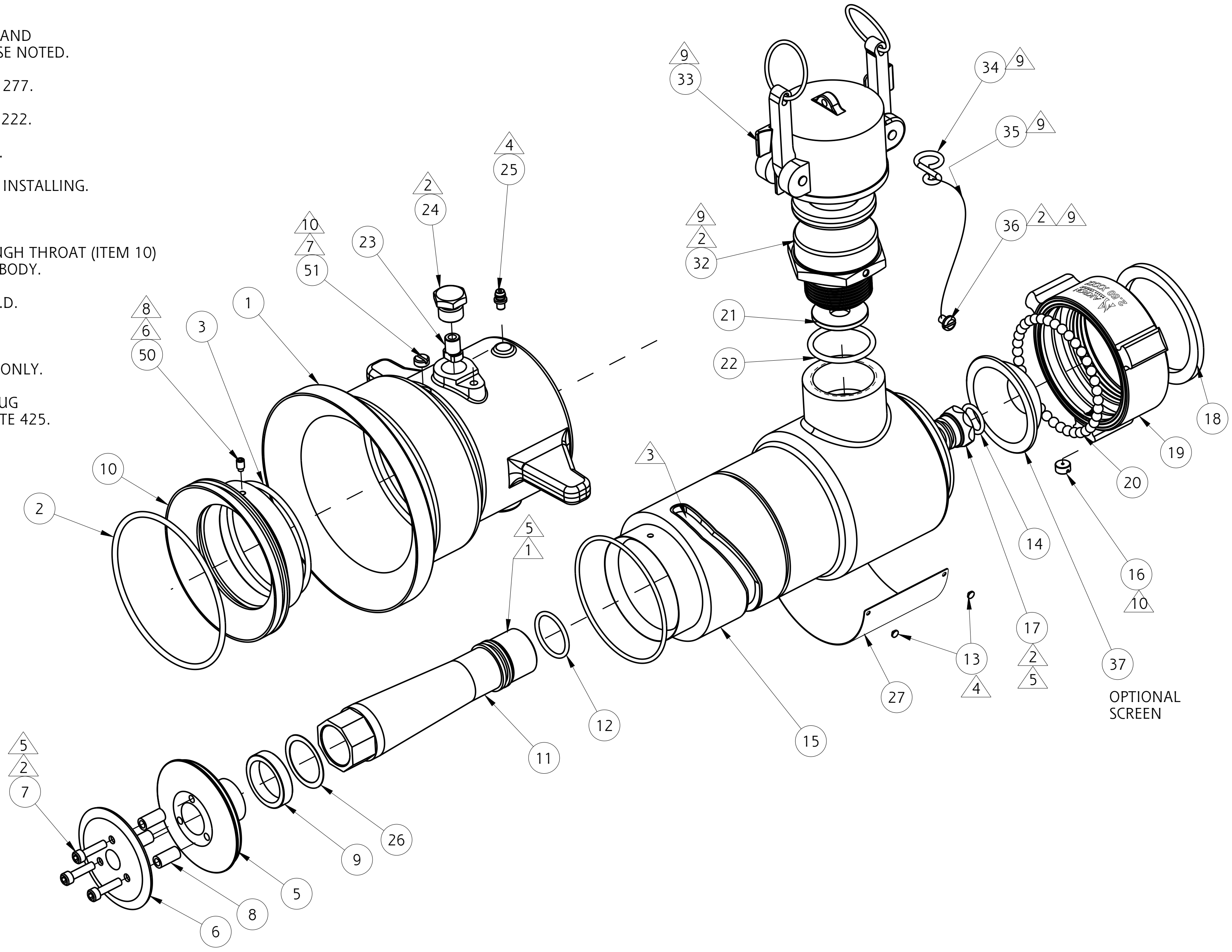
IF AN ITEM IS NOTED AS "NOT FIELD REPAIRABLE", OR YOU WISH TO RETURN AN ITEM TO AKRON BRASS FOR SERVICE PLEASE GO ONLINE TO, ONLINEREPAIR.AKRONBRASS.COM

Chg.	Date
07	04-11
08	05-22

ASSEMBLY NOTES:

USE PARKER O-LUBE ON ALL O-RINGS AND MATING SURFACES UNLESS OTHERWISE NOTED.

- 1 USE PERMABOND HH120 OR LOCTITE 277.
- 2 USE PERMABOND LM113 OR LOCTITE 222.
- 3 GREASE WITH LOW-TEMP LUBRIPLATE.
- 4 DO NOT USE EXCESSIVE FORCE WHEN INSTALLING.
- 5 CLEAN BEFORE USING LOCTITE.
- 6 INSTALL SET SCREW (ITEM 50) THROUGH THROAT (ITEM 10) AND INTO EXISTING DIMPLE NOZZLE BODY.
- 7 TO BE FLUSH WITH PATTERN SLEEVE I.D.
- 8 USE PERMABOND MM115.
- 9 USED WITH QUICK CONNECT OPTION ONLY.
- 10 THOROUGHLY CLEAN THREADS OF PLUG AND MATING PART AND APPLY LOCTITE 425.



OPTIONAL SCREEN

PHONE: 800.228.1161 | www.akronbrass.com

WARRANTY AND DISCLAIMER*: We warrant Akron Brass products for a period of five (5) years* after purchase against defects in materials or workmanship. Akron Brass will repair or replace product which fails to satisfy this warranty. Repair or replacement shall be at the discretion of Akron Brass. Products must be promptly returned to Akron Brass for warranty service. We will not be responsible for: wear and tear; any improper installation, use, maintenance or storage; negligence of the owner or user; repair or modification after delivery; failure to follow our instructions or recommendations; or anything else beyond our control. WE MAKE NO WARRANTIES, EXPRESS OR IMPLIED, OTHER THAN THOSE INCLUDED IN THIS WARRANTY STATEMENT, AND WE DISCLAIM ANY IMPLIED WARRANTY OF MERCHANTABILITY OR FITNESS FOR ANY PARTICULAR PURPOSE. Further, we will not be responsible for any consequential, incidental or indirect damages (including, but not limited to, any loss of profits) from any cause whatsoever. No person has authority to change this warranty. *Unless otherwise provided herein. Akron Brass industrial electronic components & the Severe-Duty Monitor have a one (1) year warranty. Select Akron Brass handline nozzles and valves carry a ten (10) year warranty. Scene Star Lights carry a (6) year warranty. Weldon products have a two (2) year warranty from date of manufacture (excluding consumable components). Select Weldon LED products carry a five (5) year warranty. Honda products have the manufacturers' warranty and Akron Brass disclaims any warranty in respect of those products.
© 2016 Akron Brass Company. All rights reserved. No portion of this can be reproduced without the express written consent of the Akron Brass Company.

Parts List Sheet:

121302



TECHNICAL SERVICE PARTS
 STYLE 4470
 PRODUCT AKROFOAM

IF AN ITEM IS NOTED AS "NOT FIELD REPAIRABLE", OR YOU WISH TO RETURN AN ITEM TO AKRON BRASS FOR SERVICE PLEASE GO ONLINE TO, **ONLINEREPAIR.AKRONBRASS.COM**

Chg.	Date
07	04-11
08	05-22

Find		Description	Item	QTY
1		PATTERN SLEEVE	119398	1
2		O-RING 2-242	757251	1
3		O-RING 2-233	757065	1
4		O-RING 2-152	757149	1
5		BAFFLE HEAD	119400	1
6		DEFLECTOR PLATE	745296	1
7		SCREW SOC HD CAP 10-24 X 7/8" SS	767183	3
8		DEFLECTOR SPACER	770490	3
9		SPACER 500G/1900L	127700	1
10		THROAT SLEEVE	119397	1
11		FOAM STEM	119401	1
12		O-RING 2-121	757092	1
13		GRIP NAIL	736052	4
14		O-RING 2-114	757002	1
15		NOZZLE BODY	119396	1
16	*	SWIVEL PLUG	742023	1
17		BLENDING TUBE	772194	1
18	**	GASKET	717043	1
19	**	SWIVEL 3RL 2.5" NH	101325	1
20	*	BALL BRASS 1/4" DIA.	-	39
22		O-RING 2-221	757227	1
23		CAM FOLLOWER	707435	1
24		CAM NUT	735061	1
25		GREASE FITTING	713191	1
26	A	SHIM BLUE	768346	1
26	A	SHIM BROWN	768347	1
26	A	SHIM PINK	768348	1
27		INDENTIFICATION PLATE	742170	1
32		CAM LOCK CONNECTOR	120682	1
33		CONNECTOR W/COVER	707494	1
34		S HOOK	707070	1
35		BEADED CHAIN	706225	1
36		SCREW PAN HD 10-24 X 1/4" SS	765104	1
50		SCREW SOCKET HEAD FULL DOG 10-24 X 5/16" SS	767088	1
51		SWIVEL PLUG 3/8-24 X 3/16"	744394	1

* KIT OF BALLS:109041

** FOR OTHER SWIVEL THREAD CODES CONTACT AKRON BRASS CUSTOMER SERVICE.

A: INSTALLED AT FACTORY AS NEEDED FOR FINAL CALIBRATION.

PHONE: 800.228.1161 | www.akronbrass.com

Parts List Sheet:

121302

WARRANTY AND DISCLAIMER*: We warrant Akron Brass products for a period of five (5) years* after purchase against defects in materials or workmanship. Akron Brass will repair or replace product which fails to satisfy this warranty. Repair or replacement shall be at the discretion of Akron Brass. Products must be promptly returned to Akron Brass for warranty service. We will not be responsible for: wear and tear; any improper installation, use, maintenance or storage; negligence of the owner or user; repair or modification after delivery; failure to follow our instructions or recommendations; or anything else beyond our control. WE MAKE NO WARRANTIES, EXPRESS OR IMPLIED, OTHER THAN THOSE INCLUDED IN THIS WARRANTY STATEMENT, AND WE DISCLAIM ANY IMPLIED WARRANTY OF MERCHANTABILITY OR FITNESS FOR ANY PARTICULAR PURPOSE. Further, we will not be responsible for any consequential, incidental or indirect damages (including, but not limited to, any loss of profits) from any cause whatsoever. No person has authority to change this warranty. *Unless otherwise provided herein. Akron Brass industrial electronic components & the Severe-Duty Monitor have a one (1) year warranty. Select Akron Brass handline nozzles and valves carry a ten (10) year warranty. Scene Star Lights carry a (6) year warranty. Weldon products have a two (2) year warranty from date of manufacture (excluding consumable components). Select Weldon LED products carry a five (5) year warranty. Honda products have the manufacturers' warranty and Akron Brass disclaims any warranty in respect of those products.

© 2016 Akron Brass Company. All rights reserved. No portion of this can be reproduced without the express written consent of the Akron Brass Company.

D42730