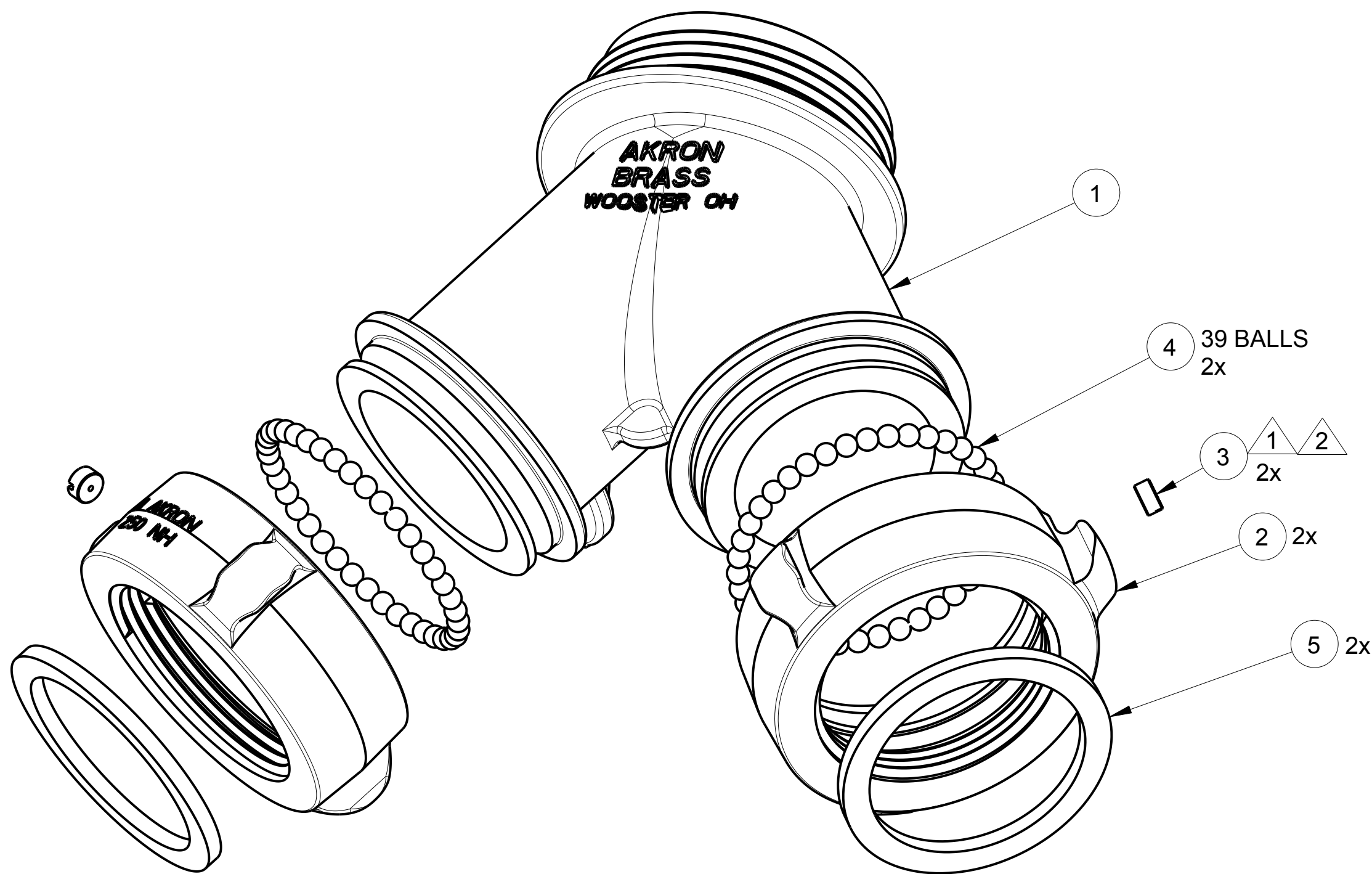


- ASSEMBLY NOTES:
- 1 ALIGN BALL IN HOLE. TIGHTEN PLUG UNTIL TOUCHES BALL. THEN BACK OUT PLUG 1/4-1/2 TURN.
 - 2 THOROUGHLY CLEAN THREADS OF PLUG AND MATING PART AND APPLY LOCTITE 425.



Find	Description	Item	QTY
1	BODY SIAMESE 2.5" x 2.5"NH CAST	100127	1
1	BODY SIAMESE 2.5" x 2.5"NH CHROME	100132	1
1	BODY SIAMESE 2.5" x 2.5"NPSH CAST	121185	1
1	BODY SIAMESE 2.5" x 2.5"NPSH CHROME	122731	1
1	BODY SIAMESE 2.5" x 3"NH CAST	100128	1
1	BODY SIAMESE 2.5" x 3"NPSH CAST	100130	1
2	SWIVEL 3RL 2.5"NH CAST	101297	2
2	SWIVEL 3RL 2.5"NH CHROME	117847	2
2	SWIVEL 3RL 2.5"NPSH CAST	101299	2
2	SWIVEL 3RL 2.5"NPSH CHROME	101344	2
3	PLUG SWIVEL	742023	2
4	* BALL STAINLESS STEEL 1/4"OD	703051	78
5	GASKET	717043	2

* KIT OF 50 BALLS: 123074