



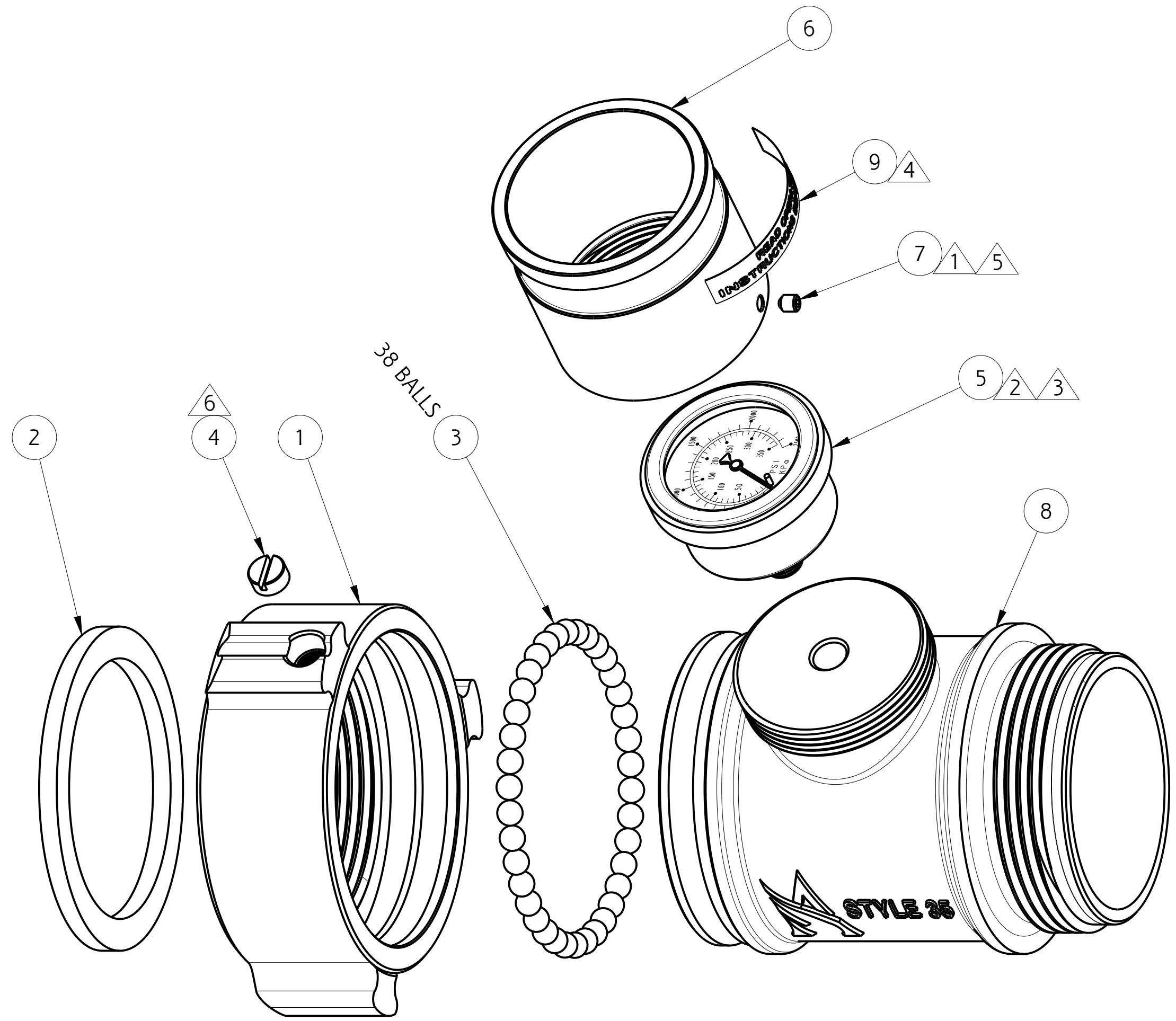
TECHNICAL SERVICE PARTS
STYLE 0035
PRODUCT 2.5" LINE GAUGE

IF AN ITEM IS NOTED AS "NOT FIELD REPAIRABLE", OR YOU WISH TO RETURN AN ITEM TO AKRON BRASS FOR SERVICE PLEASE GO ONLINE TO, **ONLINEREPAIR.AKRONBRASS.COM**

Chg.	Date
03	10-19
04	11-19

NOTES:

- ① USE PERMABOND LM113 OR LOCTITE 222.
- ② USE PERMABOND LH050 OR LOCTITE 592 PIPE SEALANT.
- ③ ORIENT THE GAUGE SCALE IN LINE WITH THE WATERWAY AS SHOWN IN THE TOP VIEW.
- ④ ORIENT THE "READ OPERATING INSTRUCTIONS BEFORE USE" TAG IN LINE WITH THE OUTLET SIDE AND WATERWAY CENTER AS SHOWN.
- ⑤ DIMPLE AT ASSEMBLY.
- ⑥ THOROUGHLY CLEAN THREADS OF PLUG AND MATING PART THEN APPLY LOCTITE 425.



PHONE: 330.264.5678 or 800.228.1161 | FAX: 330.264.2944 or 800.531.7335 | www.akronbrass.com

WARRANTY AND DISCLAIMER*: We warrant Akron Brass products for a period of five (5) years* after purchase against defects in materials or workmanship. Akron Brass will repair or replace product which fails to satisfy this warranty. Repair or replacement shall be at the discretion of Akron Brass. Products must be promptly returned to Akron Brass for warranty service. We will not be responsible for: wear and tear; any improper installation, use, maintenance or storage; negligence of the owner or user; repair or modification after delivery; failure to follow our instructions or recommendations; or anything else beyond our control. **WE MAKE NO WARRANTIES, EXPRESS OR IMPLIED, OTHER THAN THOSE INCLUDED IN THIS WARRANTY STATEMENT, AND WE DISCLAIM ANY IMPLIED WARRANTY OF MERCHANTABILITY OR FITNESS FOR ANY PARTICULAR PURPOSE.** Further, we will not be responsible for any consequential, incidental or indirect damages (including, but not limited to, any loss of profits) from any cause whatsoever. No person has authority to change this warranty. *Unless otherwise provided herein. Akron Brass industrial electronic components & the Severe-Duty Monitor have a one (1) year warranty. Select Akron Brass handline nozzles and valves carry a ten (10) year warranty. Scene Star Lights carry a (6) year warranty. Weldon products have a two (2) year warranty from date of manufacture (excluding consumable components). Select Weldon LED products carry a five (5) year warranty. Honda products have the manufacturers' warranty and Akron Brass disclaims any warranty in respect of those products.

Parts List Sheet:
117082



TECHNICAL SERVICE PARTS

STYLE 0035

PRODUCT 2.5" LINE GAUGE

IF AN ITEM IS NOTED AS "NOT FIELD REPAIRABLE", OR YOU WISH TO RETURN AN ITEM TO AKRON BRASS FOR SERVICE PLEASE GO ONLINE TO, **ONLINEREPAIR.AKRONBRASS.COM**

Chg.	Date
03	10-19
04	11-19

Find	Description	Item	QTY
1	SWIVEL 2.5"NH	101420	1
1	SWIVEL 2.5 FDNY	117074	1
2	GASKET	717043	1
3	* BALL BRASS 1/4"OD	-	38
4	* PLUG SWIVEL	-	1
5	GAUGE PRESSURE 0-2500 KPA/0-350 PSI	718322	1
5	GAUGE PRESSURE 0-2.5 MPA/0-25 BAR	718323	1
6	GUARD GAUGE	117077	1
7	SCREW SOCKET HEAD CUP POINT SET 8-32 x 3/16"	765042	1
8	BODY 2.5"NH	117078	1
8	BODY 2.5"FDNY	117079	1
9	LABEL (READ OPERATING INSTRUCTIONS BEFORE USE)	704405	1
*	KIT OF 50 BALLS	109041	

PHONE: 330.264.5678 or 800.228.1161 | FAX: 330.264.2944 or 800.531.7335 | www.akronbrass.com

WARRANTY AND DISCLAIMER*: We warrant Akron Brass products for a period of five (5) years* after purchase against defects in materials or workmanship. Akron Brass will repair or replace product which fails to satisfy this warranty. Repair or replacement shall be at the discretion of Akron Brass. Products must be promptly returned to Akron Brass for warranty service. We will not be responsible for: wear and tear; any improper installation, use, maintenance or storage; negligence of the owner or user; repair or modification after delivery; failure to follow our instructions or recommendations; or anything else beyond our control. WE MAKE NO WARRANTIES, EXPRESS OR IMPLIED, OTHER THAN THOSE INCLUDED IN THIS WARRANTY STATEMENT, AND WE DISCLAIM ANY IMPLIED WARRANTY OF MERCHANTABILITY OR FITNESS FOR ANY PARTICULAR PURPOSE. Further, we will not be responsible for any consequential, incidental or indirect damages (including, but not limited to, any loss of profits) from any cause whatsoever. No person has authority to change this warranty. *Unless otherwise provided herein. Akron Brass industrial electronic components & the Severe-Duty Monitor have a one (1) year warranty. Select Akron Brass handline nozzles and valves carry a ten (10) year warranty. Scene Star Lights carry a (6) year warranty. Weldon products have a two (2) year warranty from date of manufacture (excluding consumable components). Select Weldon LED products carry a five (5) year warranty. Honda products have the manufacturers' warranty and Akron Brass disclaims any warranty in respect of those products.

© 2016 Akron Brass Company. All rights reserved. No portion of this can be reproduced without the express written consent of the Akron Brass Company.

Parts List Sheet:

117082