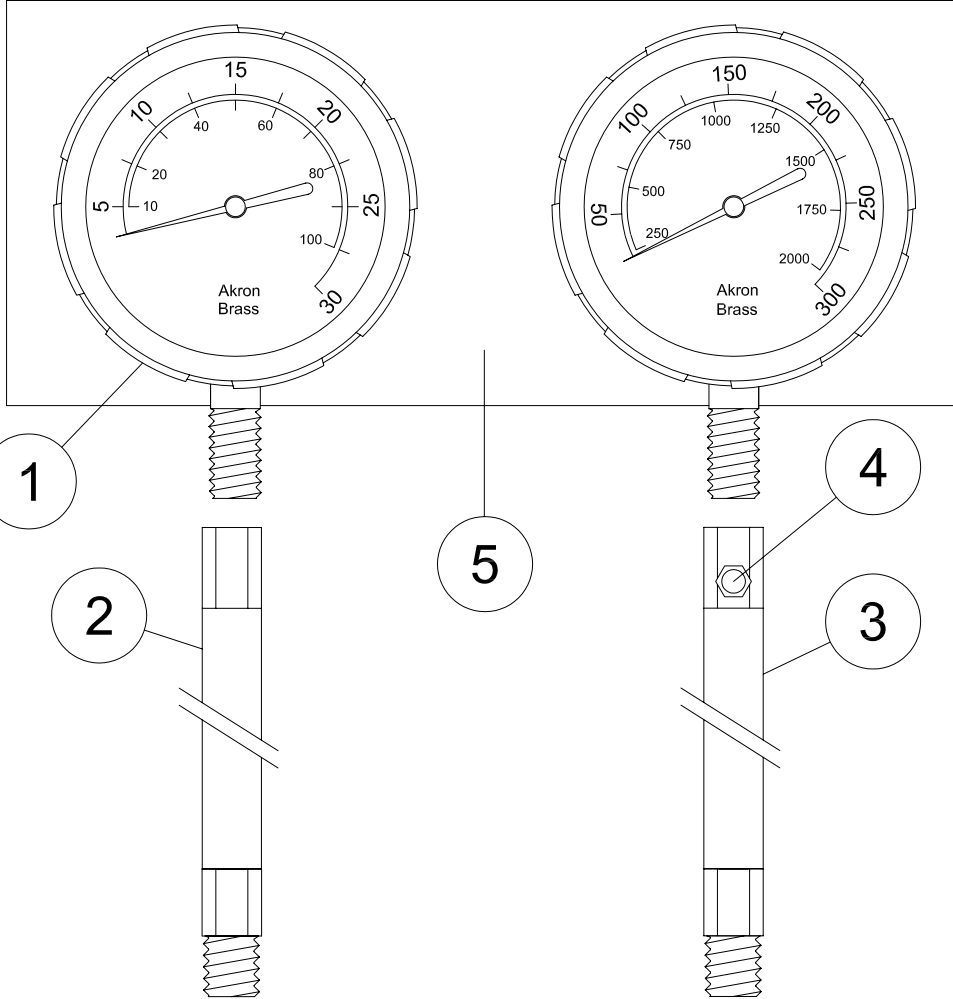


TEST GAUGE KIT (TGK-2)

3-1/2" VACUUM GAUGE	
FK-702	0-30# IN. 0-100 HG

3-1/2" PRESSURE GAUGES	
FK-703	0-160 PSI, 0-1100 kPa
FK-704	0-300 PSI, 0-2000 kPa - STD.
FK-707	0-400 PSI, 0-2800 kPa
FK-708	0-600 PSI, 0-4000 kPa

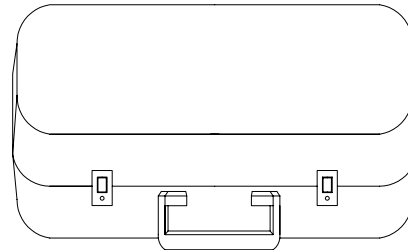


PARTS LIST			
ITEM NO.	PART NO.	DESCRIPTION	QTY.
1	FK-702	3.5" VACUUM GAUGE	1
2	FK-705	36" VACUUM HOSE*	1
3	FK-706	36" PRESSURE HOSE**	1
4	FK-100	BLEEDER VALVE	1
5	FK-700	TWO GAUGE HOLDER	1

NOTES:

*FK-705 Vacuum hose assembly includes swivel male and rigid female couplings.

**FK-706 36" Pressure Hose Assembly includes swivel male and rigid female coupling. Bleeder valve (FK-100) attaches to rigid female.



CASE		
FK-232	SMALL CASE	19" W x 13-3/8" D x 7" H - STD.
FK-227	SMALL FOAM INSERT FOR FK-232 CASE	

ISO-9001 CERTIFIED



Akron Brass Company
A Premier Farnell Company

501 N. Cummings Lane, Washington, IL 61571
Phone: (800)214-6800 Fax: (800)214-6808